



CRANE BODY VP66-165-DTF

| | |
|-----------------------|----------------------|
| Crane Capacity | 8,000 - 12,000 lbs |
| Cab-Axle | 120" CA |
| Ft-lbs Rating | 66,000 ft.lbs. |
| Bed Length | 14 ft. (165") |
| Tire Size | 22.5" (DRW) |
| Crosstube | 25100 |
| Min. GVWR | Class 6 - 26,000 lbs |
| Body Weight | 5,000 lbs. |
| Model Number | Pro 14 |



SPECIFICATIONS

| | |
|----------------------------|---------------------|
| Compartment Height | 44" / 60" |
| Compartment Depth | 22" |
| Cargo Space Width | 50" |
| SS/CS-1 Dimensions | 31"W x 60"T |
| SS/CS-2 Dimensions | 31"W x 50"T |
| SS/CS-3 Dimensions | 12"W x 50"T |
| SS/CS-4 Dimensions | 50"W x 24"T |
| SS/CS-5 Dimensions | 25"W x 50"T |
| Main Body Material | 14-ga Galvanneal |
| Compartment Bottoms | 10-ga Galvanneal |
| Compartment Tops | 12-ga HR treadplate |
| Inner Door Panels | 0.063 Aluminum |
| Outer Door Panels | 0.063 Aluminum |
| Wheel Panels | 14-ga Galvanneal |
| Front Bulkhead | 14-ga Galvanneal |
| Adjustable Shelving | 14-ga Galvanneal |
| Bed Wall Liners | 12-ga HR treadplate |

Body Floor and Understructure

- 12-ga treadplate floor
- 10" high x 10 ga Grade 50 channel frame
- 12-ga Grade 50 underbelly plate

Powder Coat Finish

White

Standard Accessories

- 3-point whaletail compression door latches
- Gas cylinder type door holders
- Rubber rolled crown fenderettes installed
- Master Door Locking System
- Adhesive LED strip lights in all (10) compartments
 - Top and Sides
 - Top of Horizontal Compartment
- Strap Hinges
- 6,000 lb. Tie-Downs

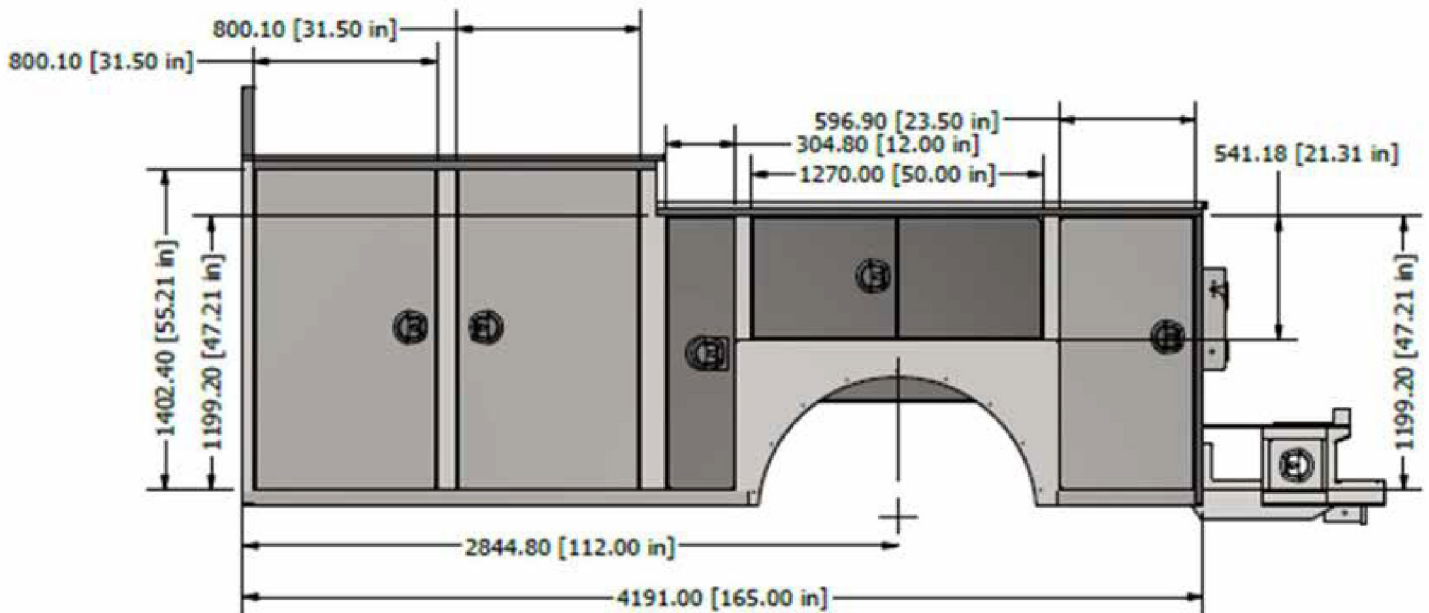
STANDARD EQUIPMENT

- Workbench Bumper w/ Vise Plate
- 25100 Crosstube
- (4) LED Exterior Worklights
- White Powder Coat
- Bedliner (Cargo area, Compartment Tops, Walls, Bumper, Interior Tailgate)

APPLICABLE CRANE MODELS

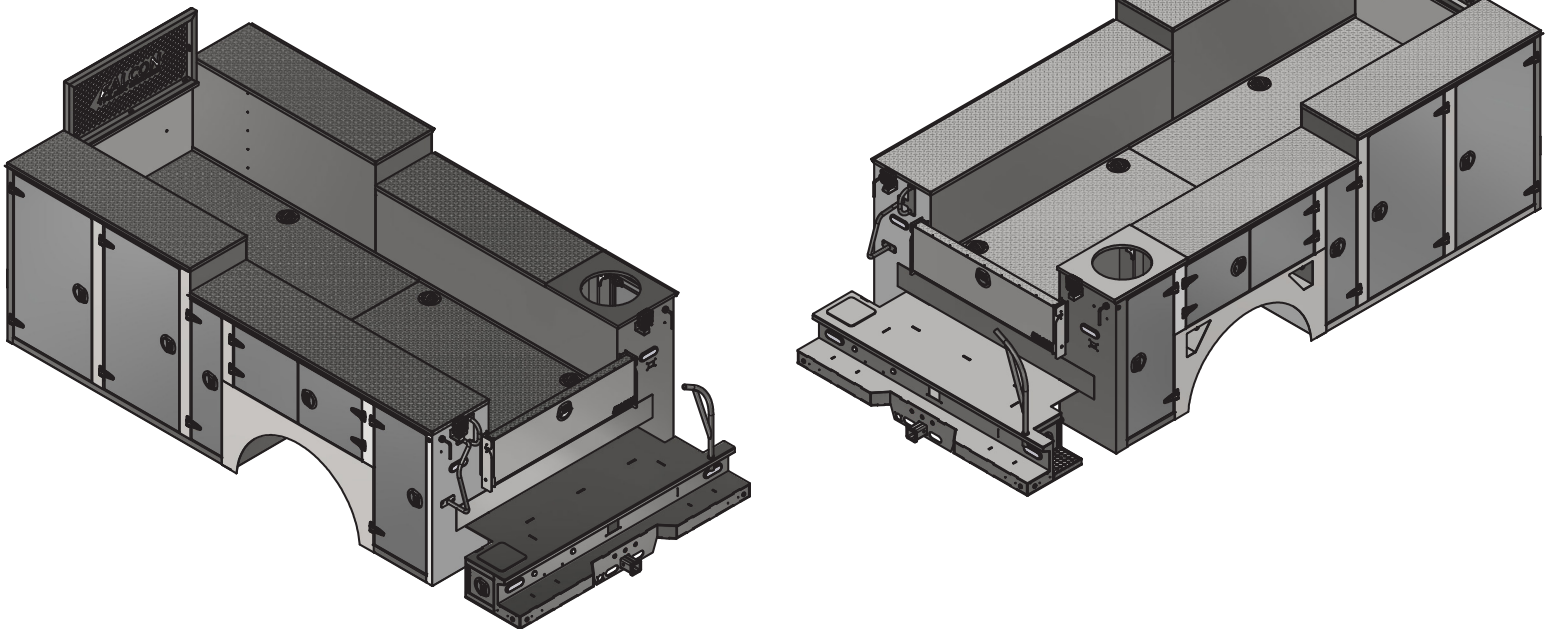
- Up to Venturo HT66KX-25 12,000 lbs

CRANE BODY VP66-132-DTF



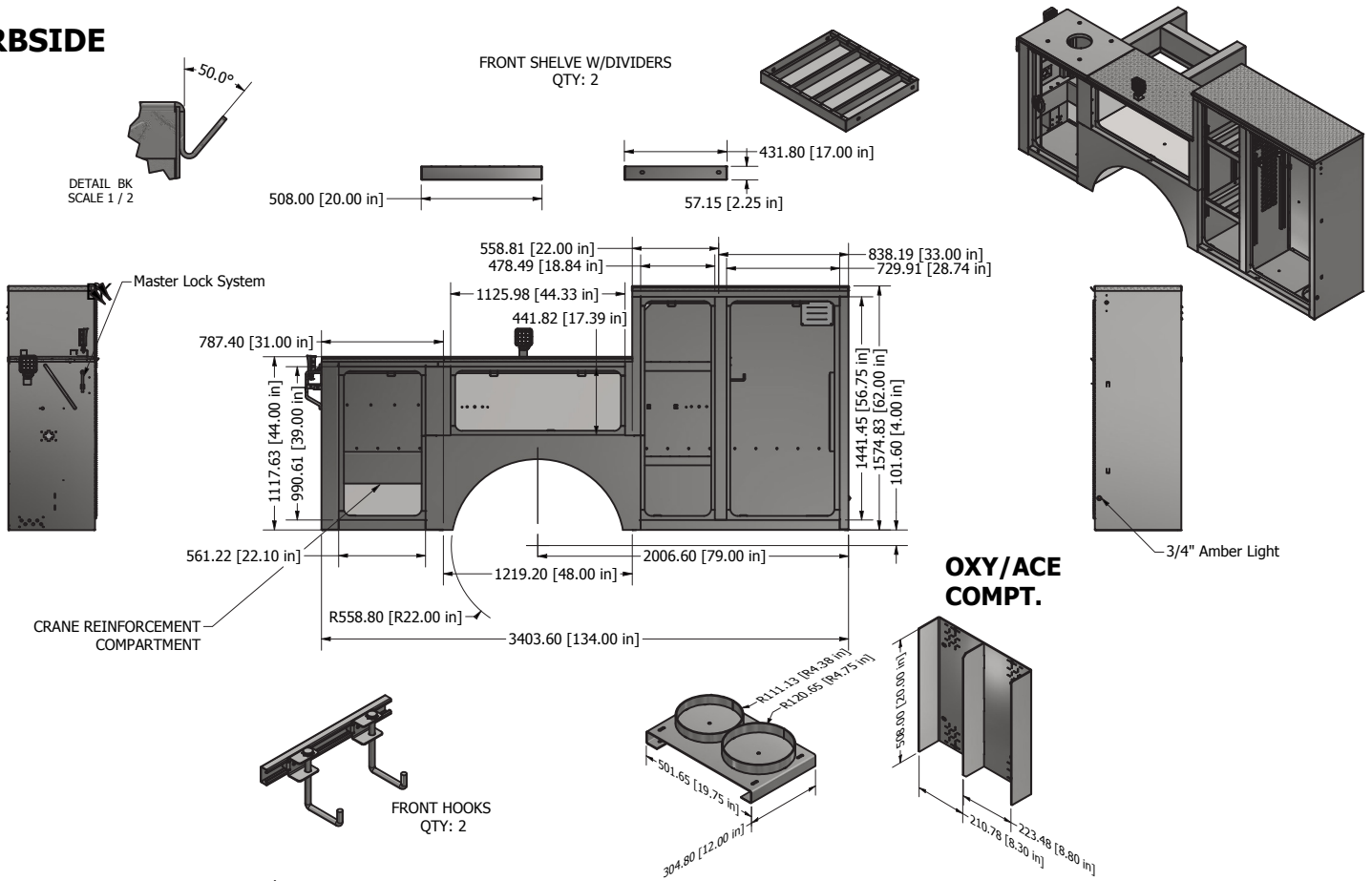
FALCON PRO 14

165" long x 60" high x 94" wide
Cab to axle (CA) of 116" with dual rear wheel axle

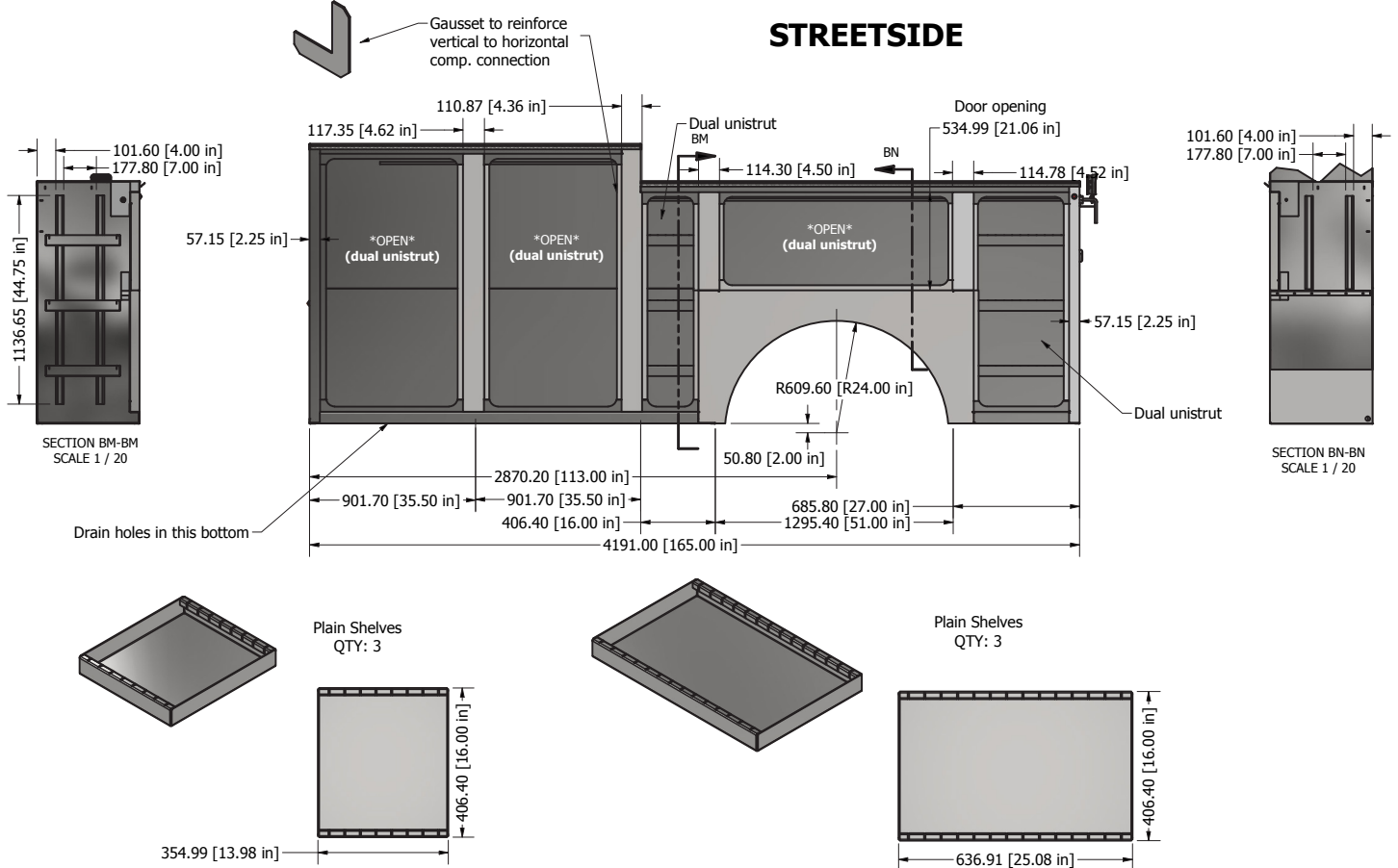


CRANE BODY VP66-132-DTF

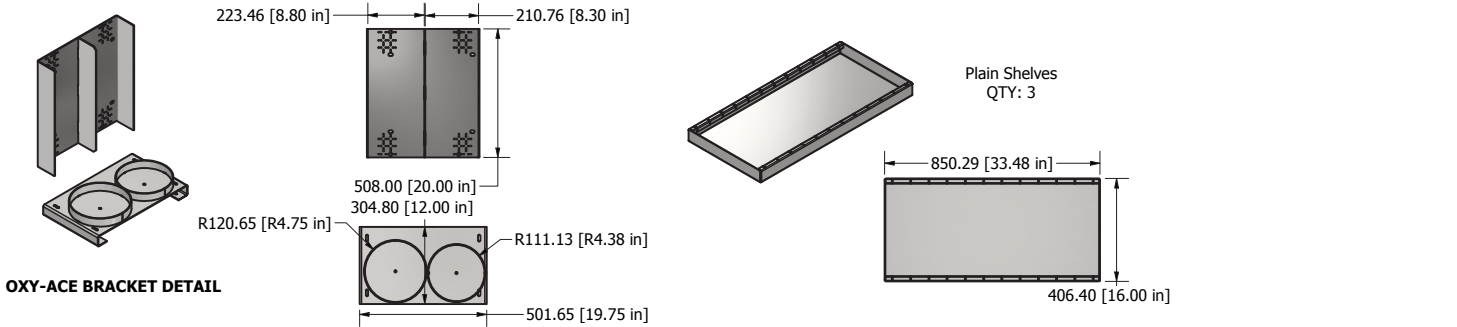
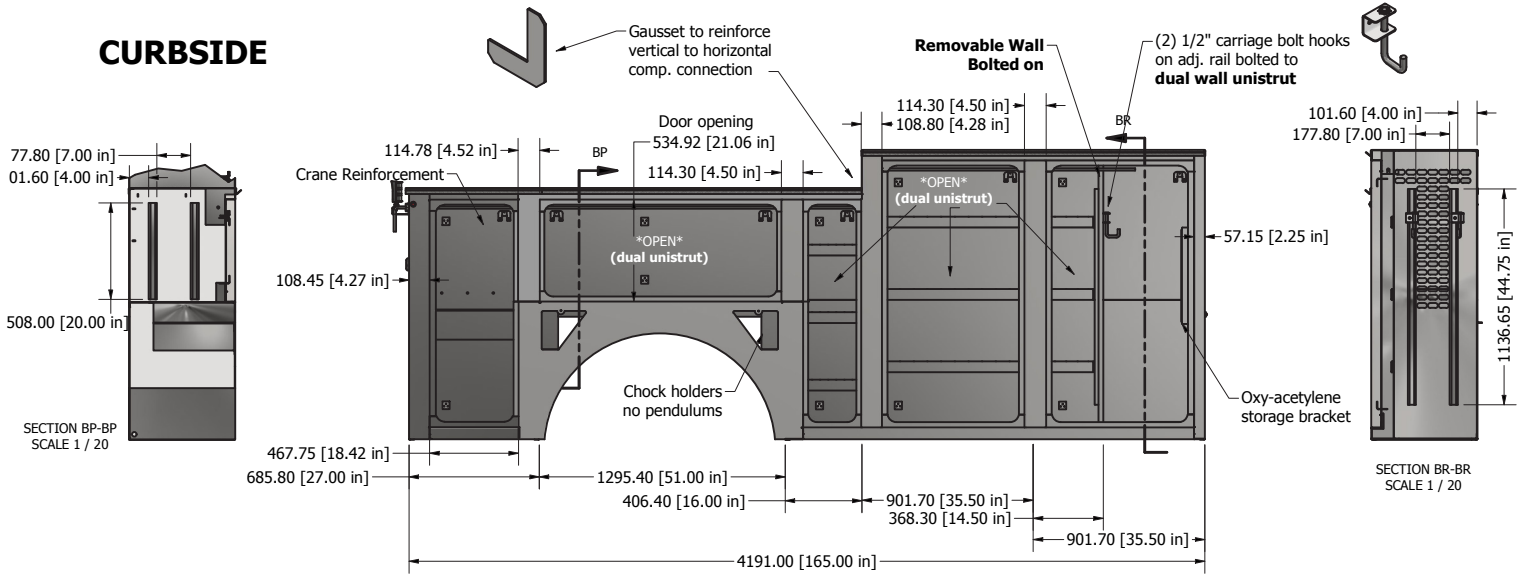
CURBSIDE



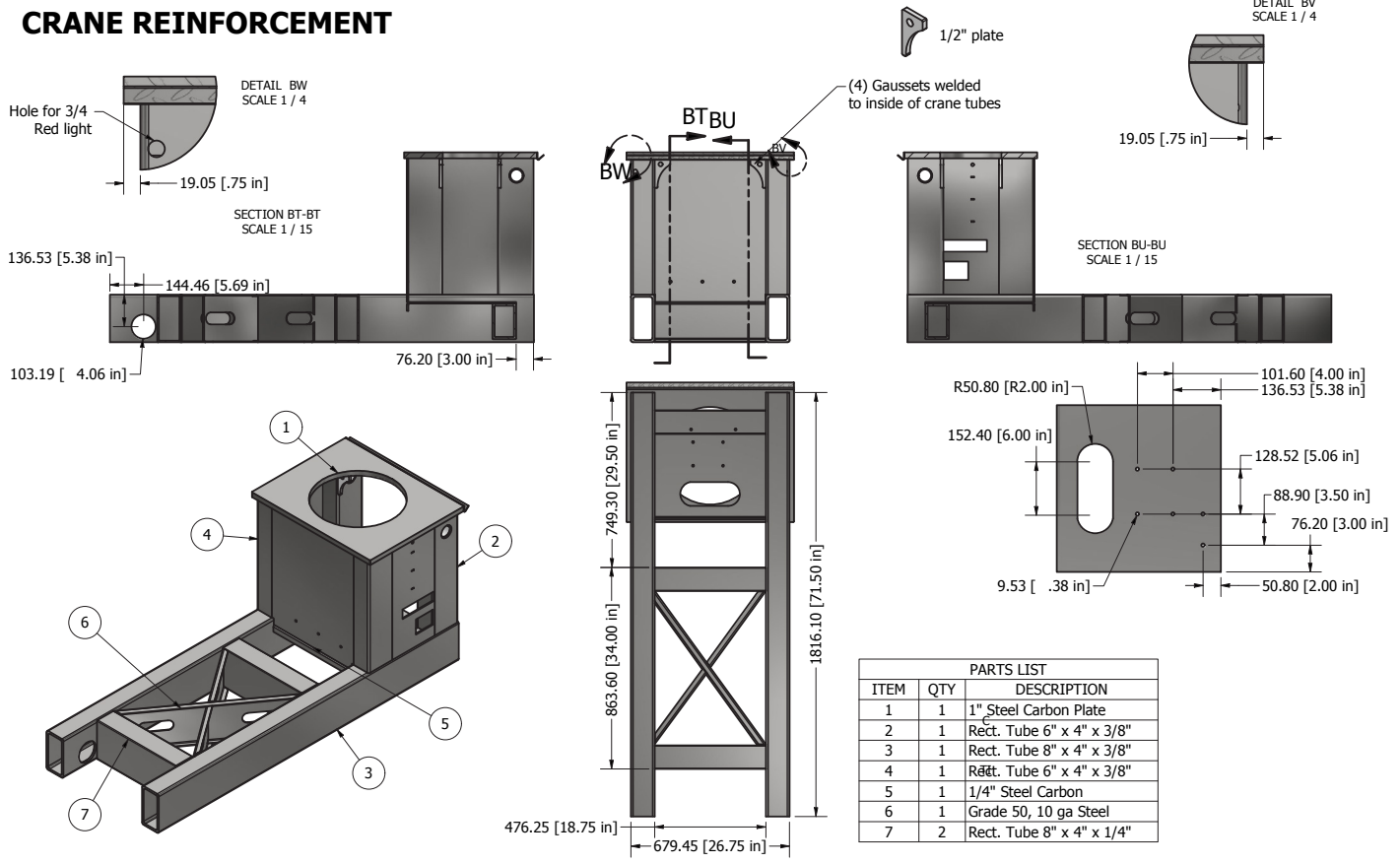
STREETSIDE

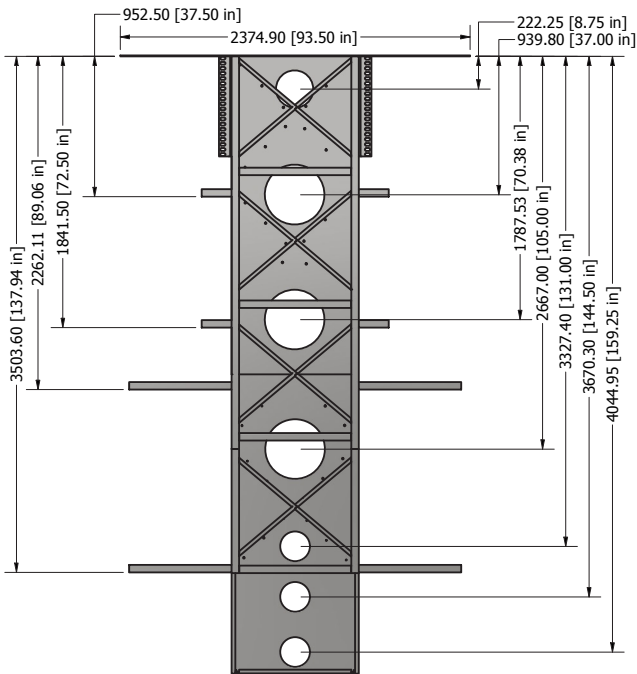


CURBSIDE

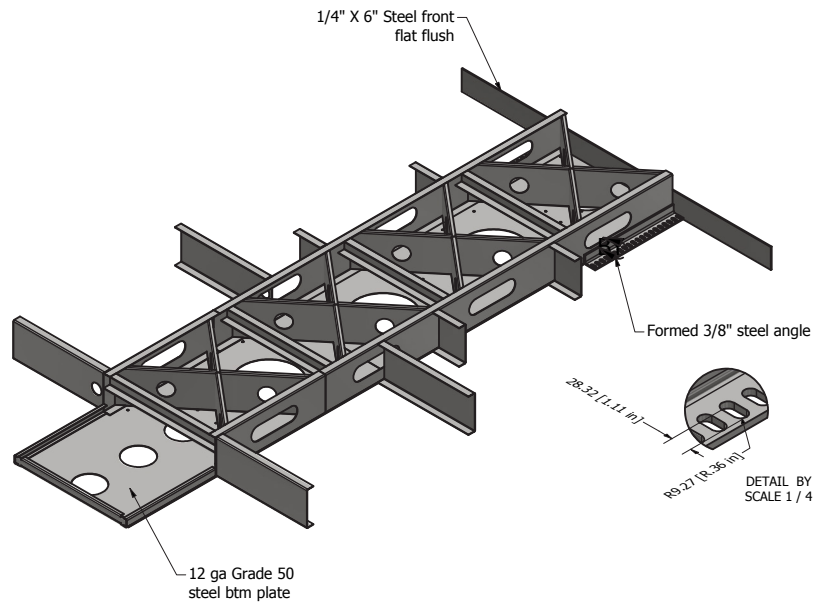


CRANE REINFORCEMENT

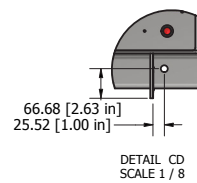
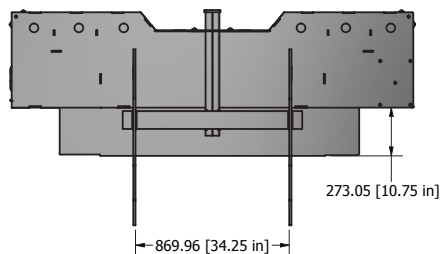
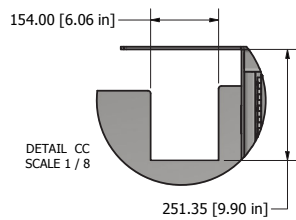
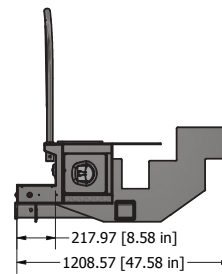
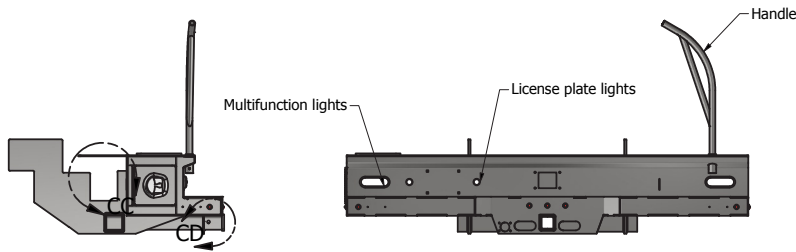
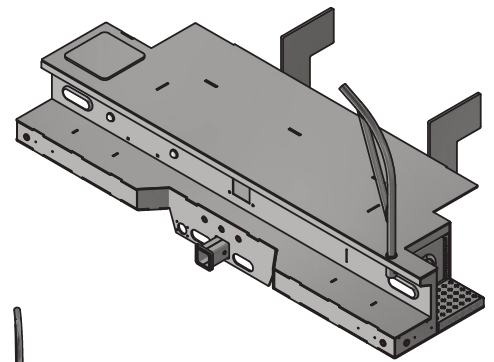
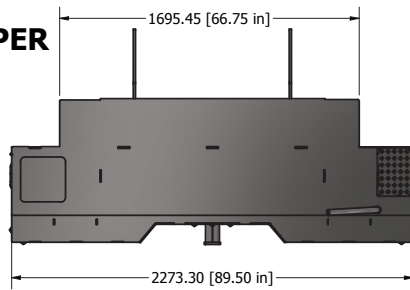




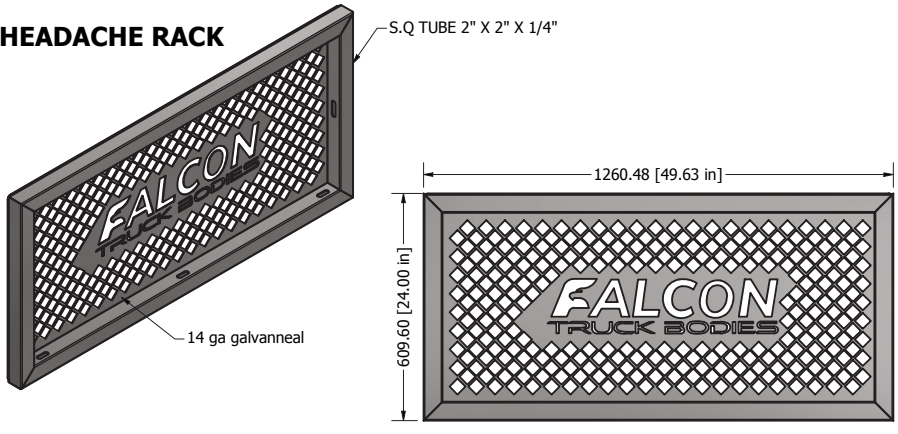
Formed 10 ga Grade 50 Frame



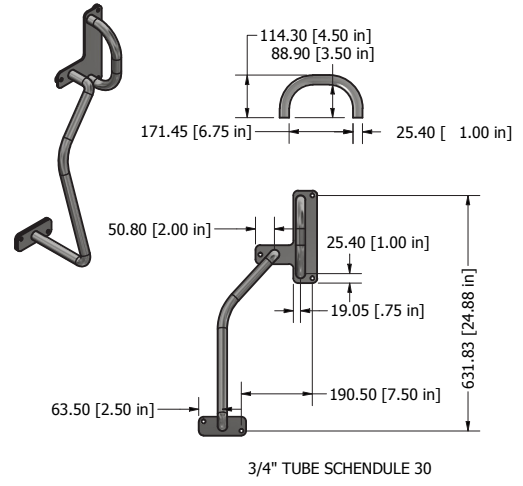
STEP WORKBENCH BUMPER VOYAGER SERIE 2



HEADACHE RACK



REAR GRABHANDLE



TAILGATE

