

CRANE BODY

VP60-132-TTFC



Crane Capacity	Up to 10,000 lbs
Cab-Axle	84" CA
Ft-lbs Rating	60,000 ft.lbs.
Bed Length	11 ft. (132")
Tire Size	22.5" (DRW)
Crosstube	25100
Min. GVWR	Class 5 - 19,500 lbs
Body Weight	4,950 lbs.
Model Number	Pro 9-10



SPECIFICATIONS

Compartment Height	44" / 60"
Compartment Depth	22"
Cargo Space Width	50"
SS-1 Dimensions	31"W x 44"T
CS-1 Dimensions	31"W x 60"T
SS/CS-2 Dimensions	26"W x 44"T
SS/CS-3 Dimensions	35"W x 44"T
SS/CS-4 Dimensions	25"W x 44"T
Main Body Material	14-ga Galvanneal
Compartment Bottoms	10-ga Galvanneal
Compartment Tops	12-ga HR treadplate
Inner Door Panels	0.063 Aluminum
Outer Door Panels	0.063 Aluminum
Wheel Panels	14-ga Galvanneal
Front Bulkhead	14-ga Galvanneal
Adjustable Shelving	14-ga Galvanneal
Bed Wall Liners	12-ga HR treadplate

Body Floor and Understructure

- 12-ga treadplate floor
- 10" high x 10 ga Grade 50 channel frame
- 12-ga Grade 50 underbelly plate

Powder Coat Finish

White

Standard Accessories

- 3-point whaletail compression door latches
- Gas cylinder type door holders
- Rubber rolled crown fenderettes installed
- Master Door Locking System
- Adhesive LED strip lights in all (10) compartments
 - Top and Sides
 - Top of Horizontal Compartment
- Strap Hinges
- 6,000 lb. Tie-Downs

STANDARD EQUIPMENT

- Workbench Bumper w/ Vise Plate
- 25100 Crosstube
- (4) LED Exterior Worklights
- White Powder Coat
- Bedliner (Cargo area, Compartment Tops, Walls, Bumper, Interior Tailgate)

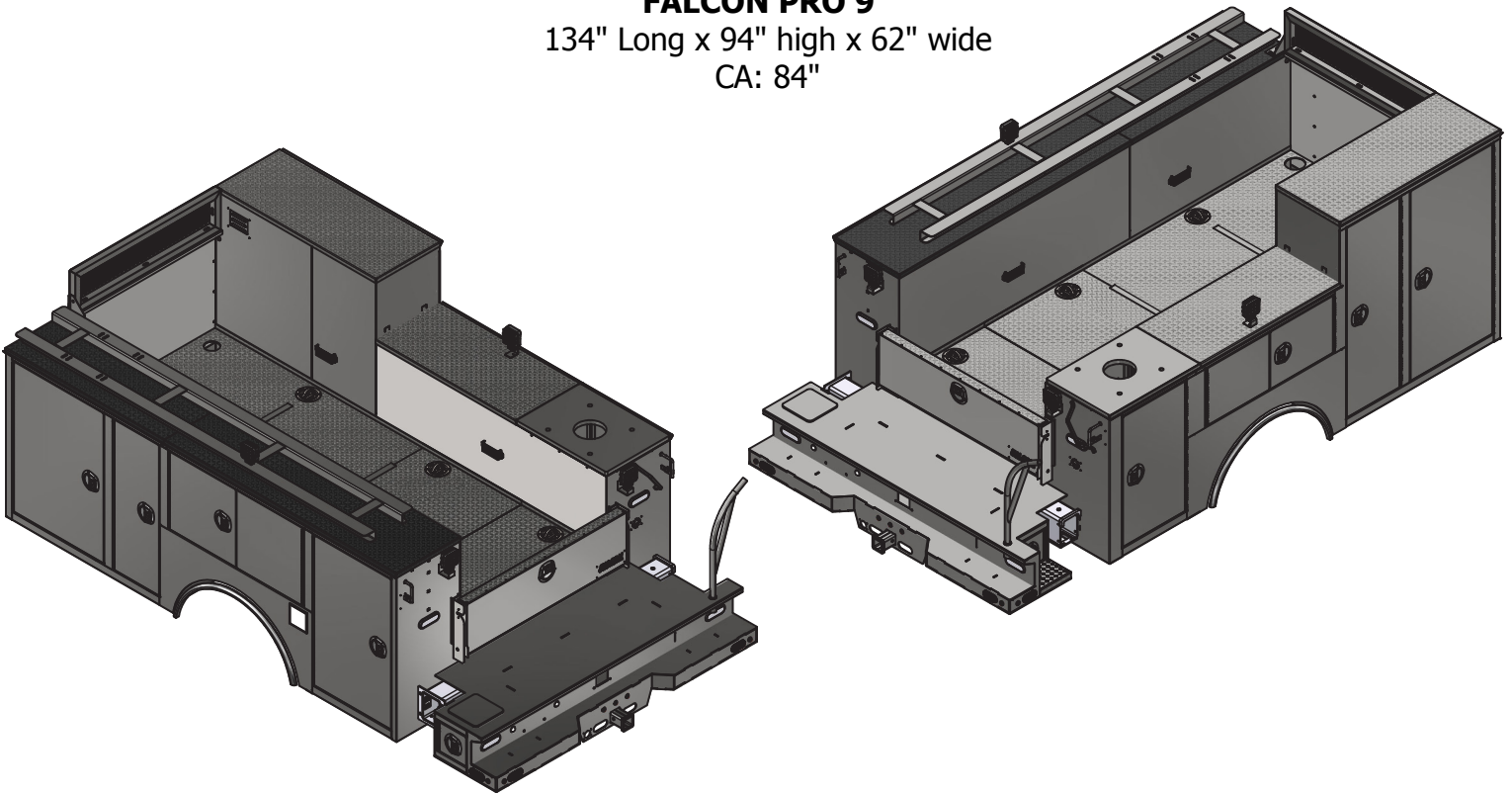
APPLICABLE CRANE MODELS

- Up to Venturo HT66KX-25 12,000 lbs

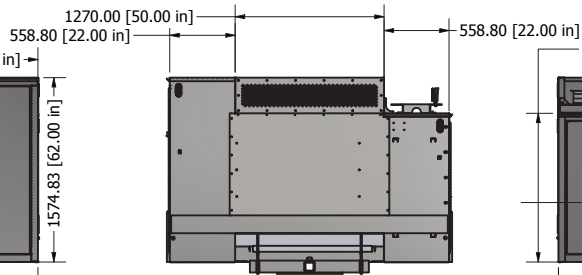
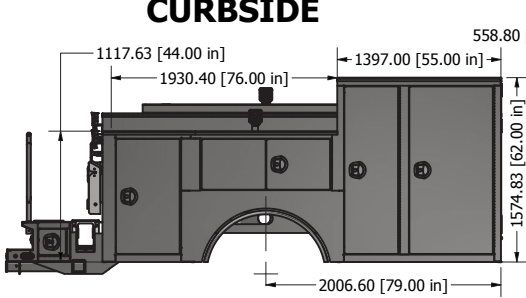
CRANE BODY VP60-132-TTFC

FALCON PRO 9

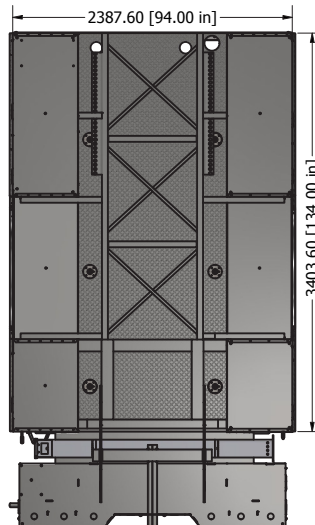
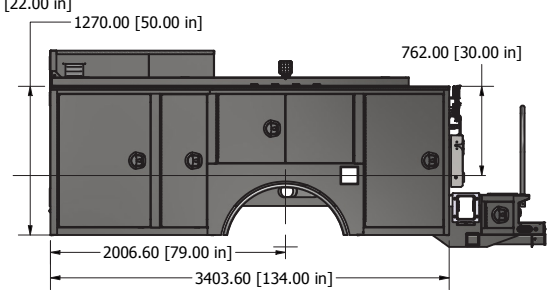
134" Long x 94" high x 62" wide
CA: 84"



CURBSIDE



STREETSIDE



Body Materials:

- 14 gauge galvaneal - Main body material
- 14 gauge - Vertical comp bottoms
- 12 gauge HR treadplate - Compartment tops
- 16 gauge - Outer and inner door panels
- 14 gauge galvaneal - Wheel panels
- 14 gauge galvaneal - Front bulkhead
- 14 gauge galvanized - Adj. shelving
- 12 gauge HR treadplate - Bed wall liners

Body Floor and Understructure:

- 12 gauge hot rolled treadplate floor
- 10 inch high x formed 10ga Grade 50 channel frame
- 12ga Grade 50 underbelly plate

Finish:

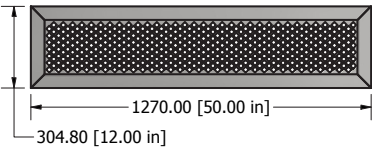
- Interior and Exterior of body to be powder coated White.
- Liner on the cargo area, tops and undercoating.

Accessories:

- 3-point whaletail compression door latches
- Gas shocks type door holders on all doors
- Rubber rolled crown type fenderettes installed
- Master door locking system
- Adhesive LED strip lights in all compartments
 1. Across top and on sides of each vertical compartment
 2. Across top of each horizontal compartment
- Strap Hinges
- Tie downs cap. 6000lbs

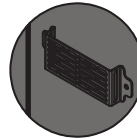
CRANE BODY VP60-132-TTFC

HEADACHE RACK



COVER LIGHT

On all bed lights



DETAIL CC
SCALE 1 / 6

TIE DOWNS

Capacity: 6,000 lb



DETAIL CD
SCALE 1 / 6

Whale Tail Latches

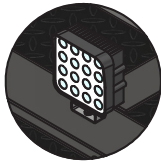
In all the doors



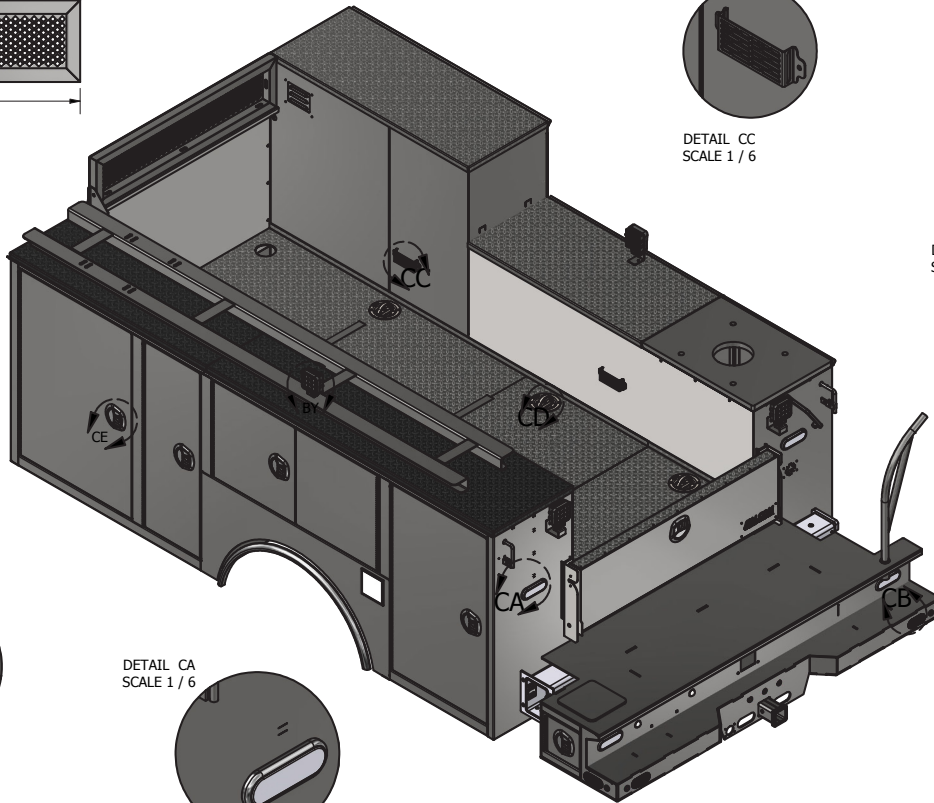
DETAIL CE
SCALE 1 / 6

Work Lights

Four (4)



DETAIL BY
SCALE 1 / 6

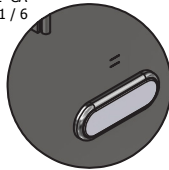


DETAIL CB
SCALE 1 / 6

OVAL REFLECTOR

Two (2) Amber on the front
Six (6) Red on the back

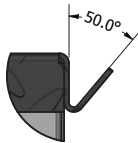
DETAIL CA
SCALE 1 / 6



Multifunctional LED lights

Four (4)

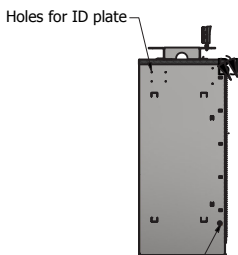
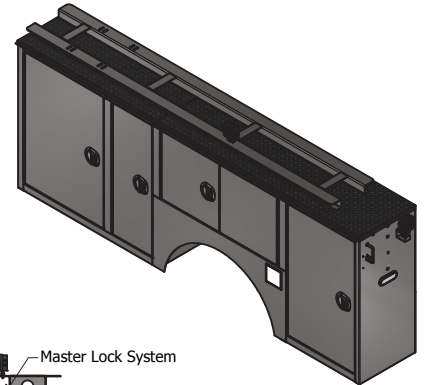
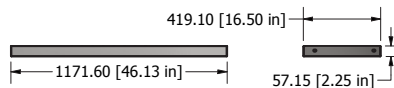
STREETSIDE



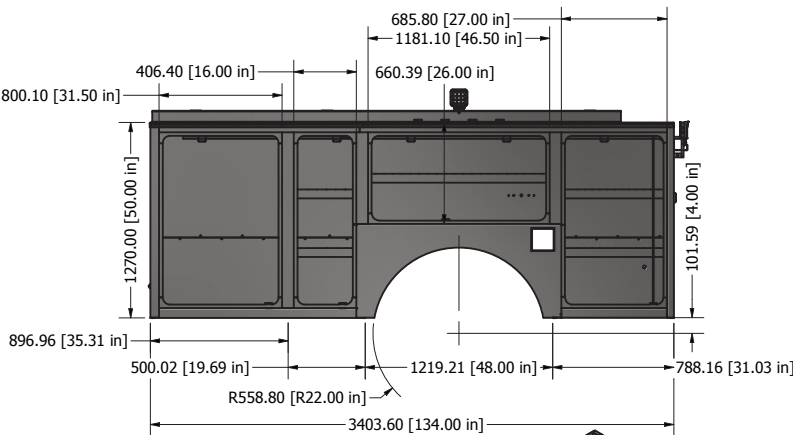
DETAIL B3
SCALE 1 / 2

CENTRAL SHELVES W/DIVIDERS

QTY: 1

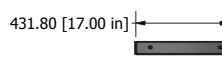
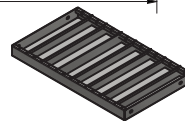
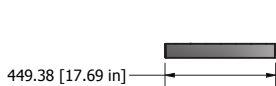
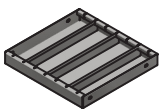


3/4" Amber light



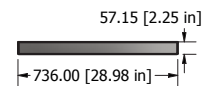
FRONT SHELVES W/DIVIDERS

QTY: 2



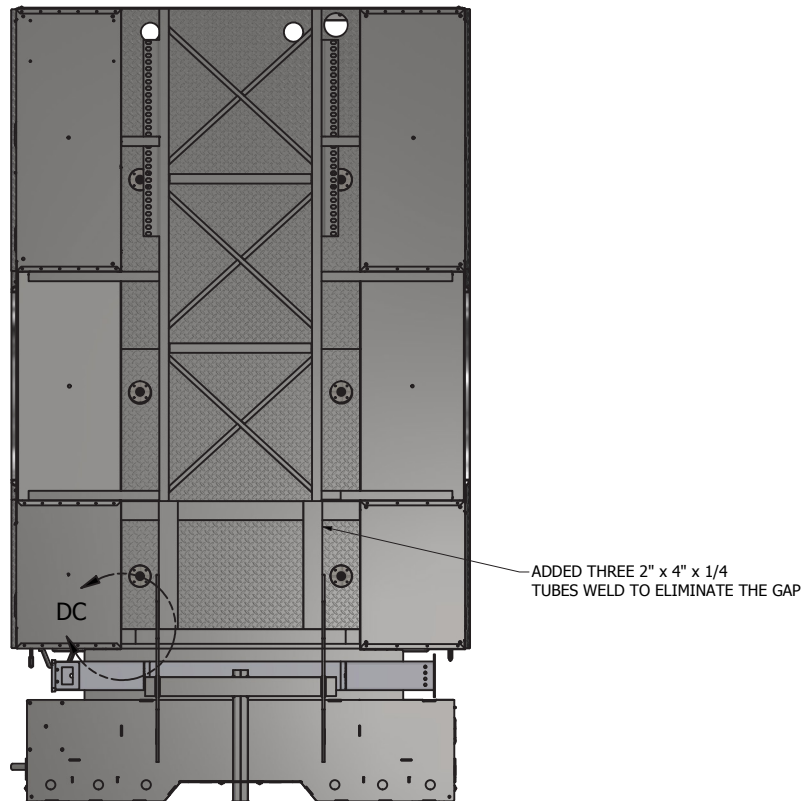
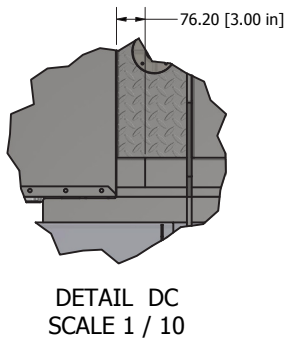
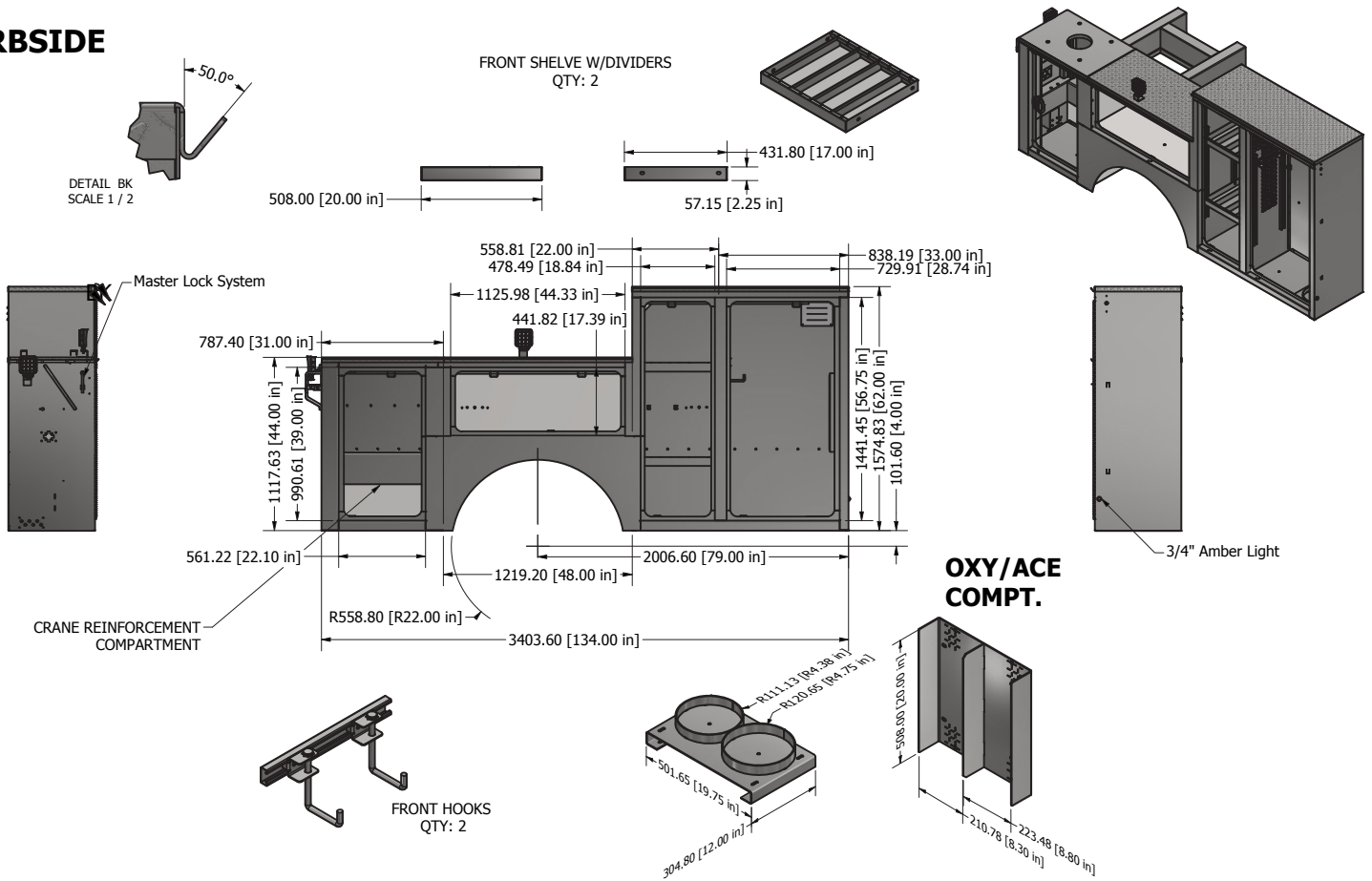
REAR SHELVES W/DIVIDERS

QTY: 2



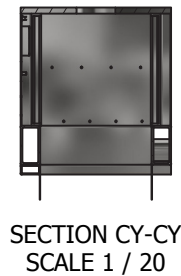
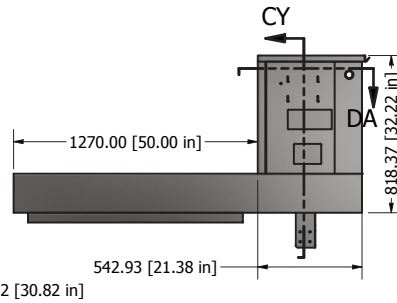
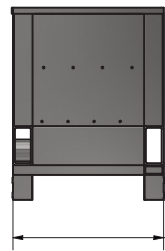
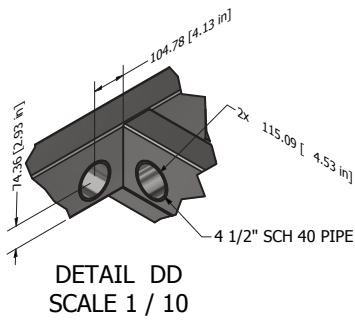
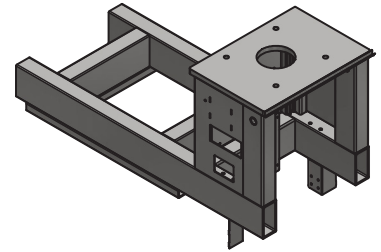
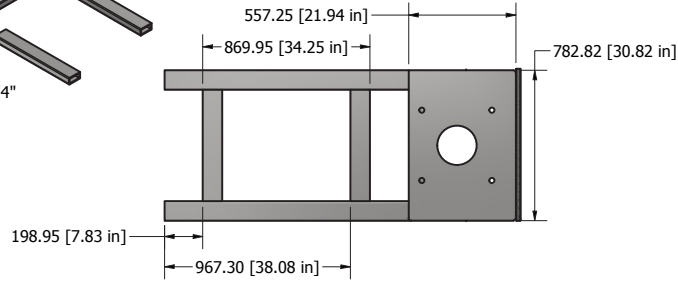
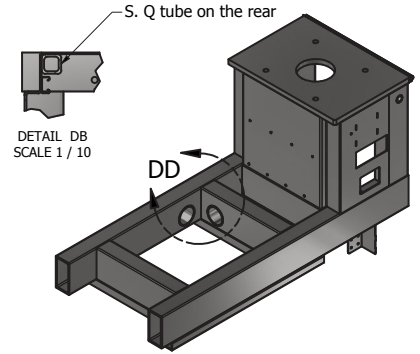
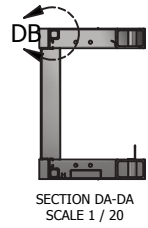
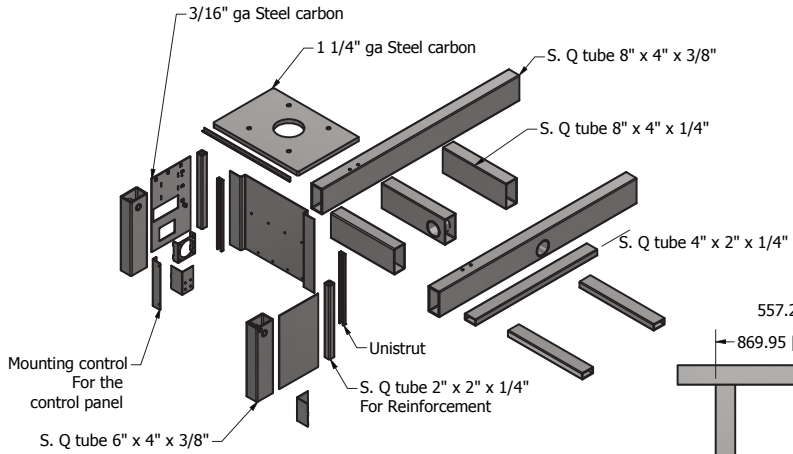
CRANE BODY VP60-132-TTFC

CURBSIDE

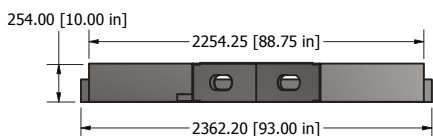
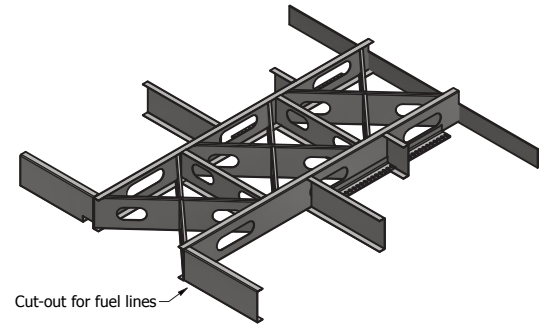
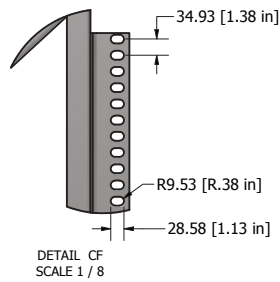
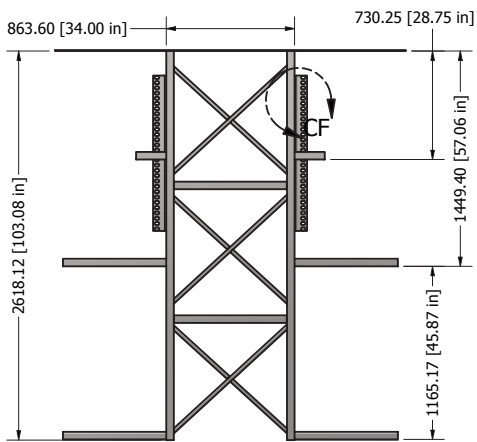


CRANE BODY VP60-132-TTFC

CRANE REINFORCEMENT

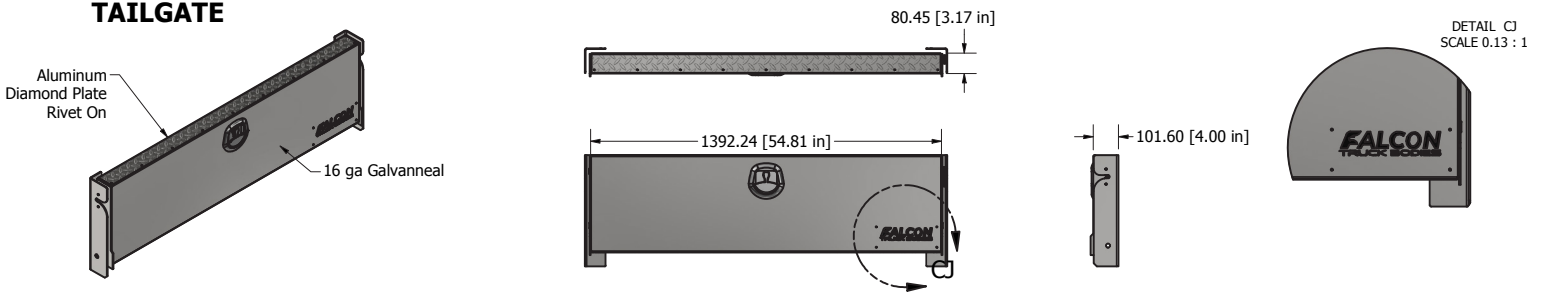


SUBFRAME MOUNTING HOLES

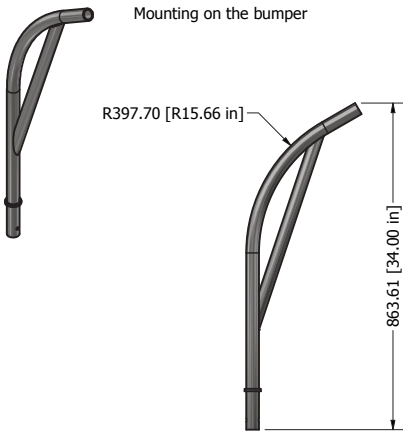


CRANE BODY VP60-132-TTFC

TAILGATE

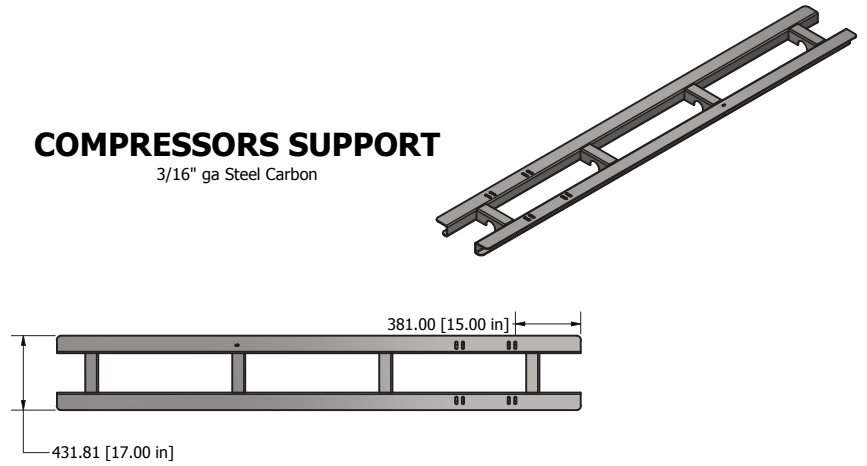


HANDLE



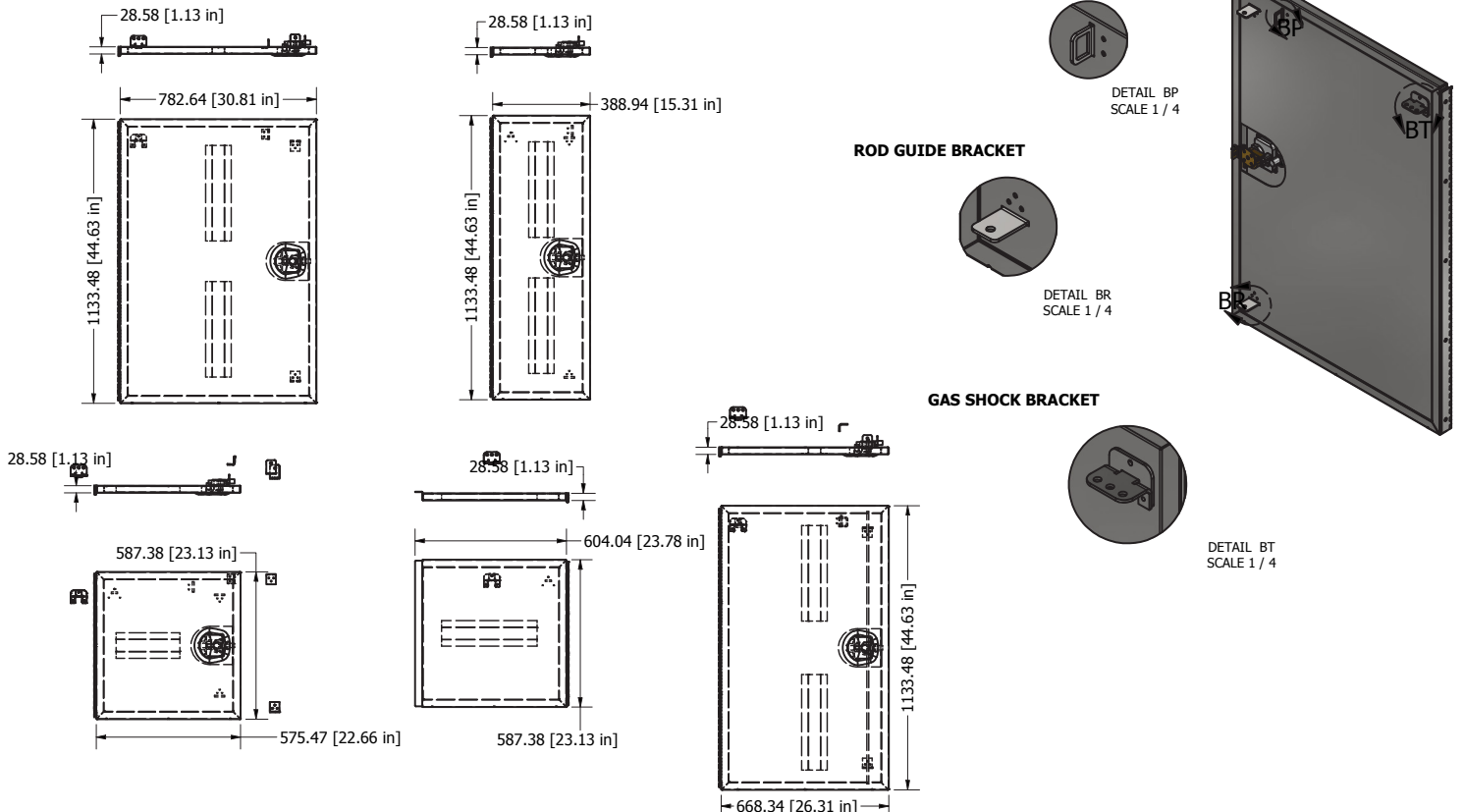
COMPRESSORS SUPPORT

3/16" ga Steel Carbon



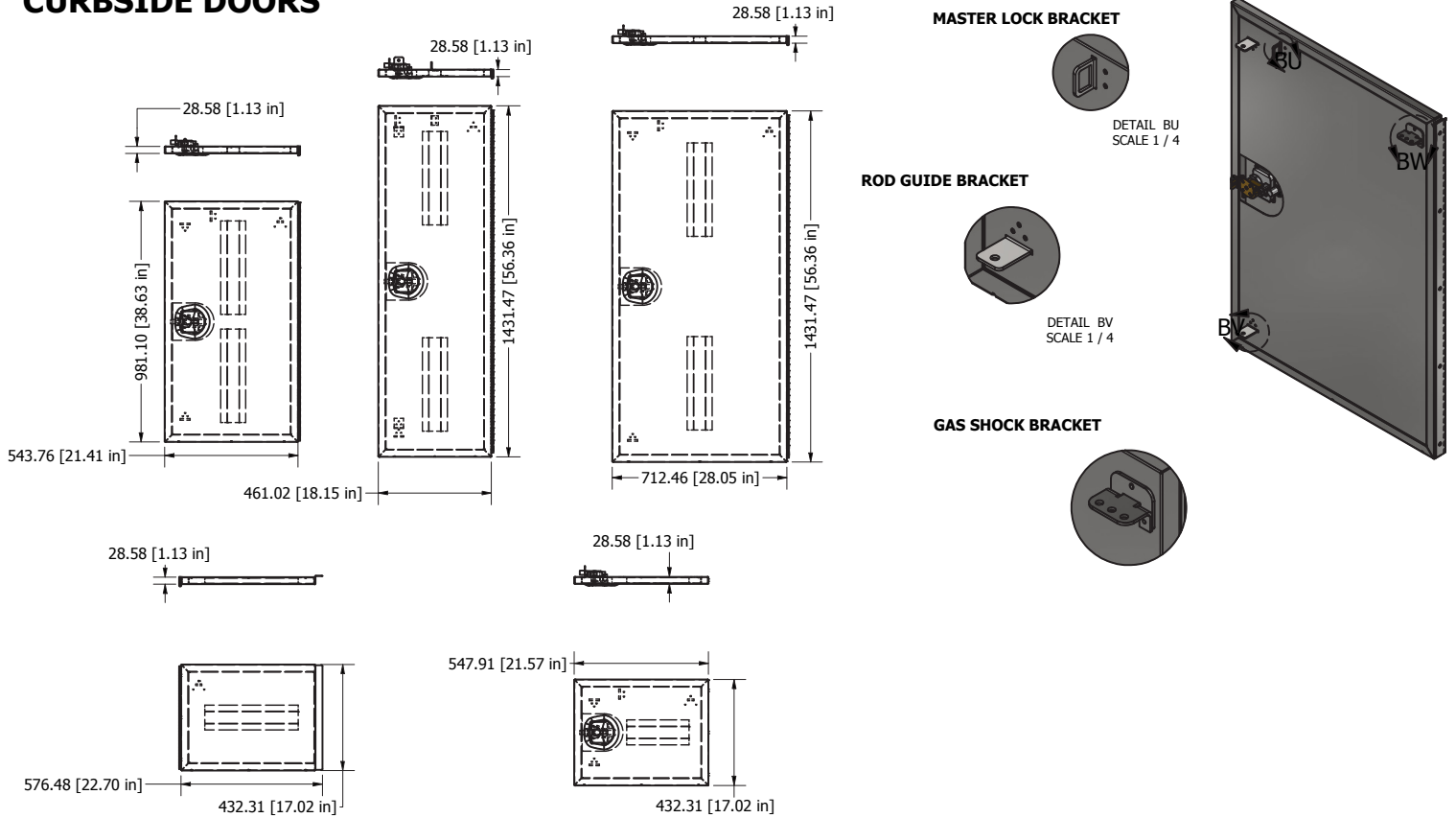
STREETSIDE DOORS

With inner reinforcement on all the doors

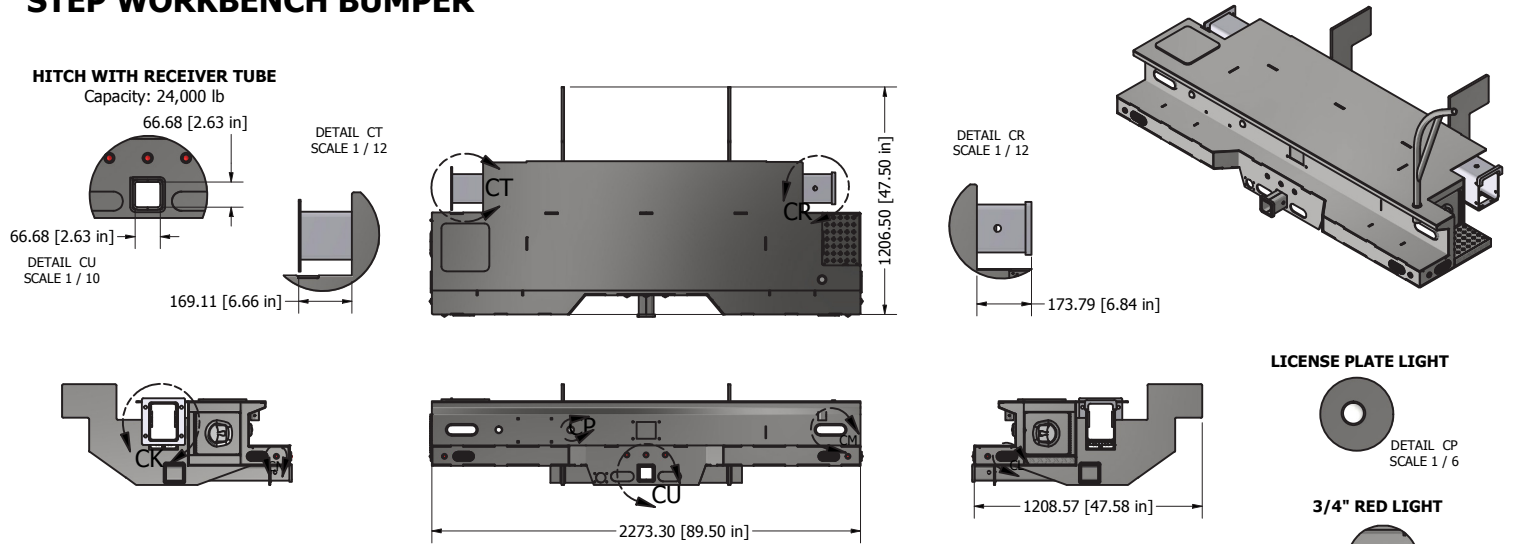


CRANE BODY VP60-132-TTFC

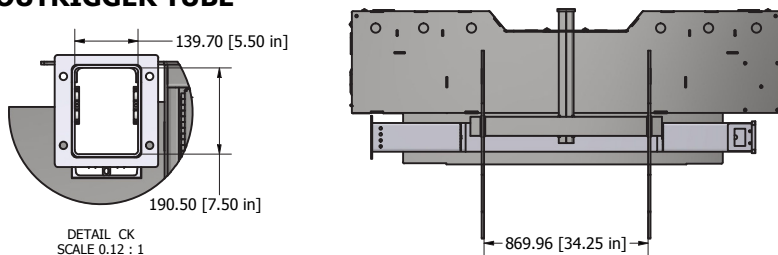
CURBSIDE DOORS



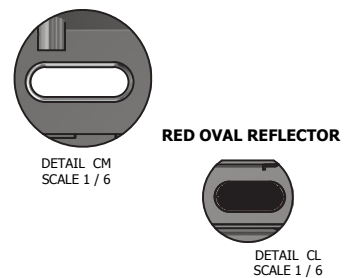
STEP WORKBENCH BUMPER



OUTRIGGER TUBE



MULTIFUNCTION OVAL LED LIGHT



CRANE BODY VP60-132-TTFC

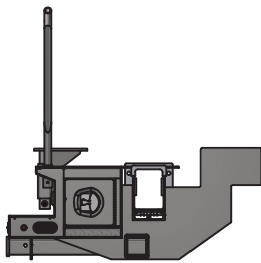
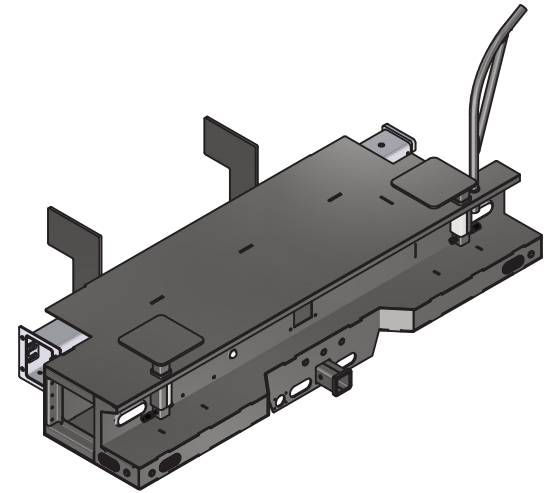
WORK BENCH BUMPER 89.5" long x 13.5" high x 32" wide

ACCESSORIES:

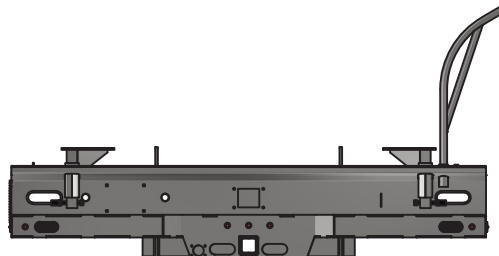
- Two (2) license plate lights.
- Seven (7) Red 3/4" button style side light.
- Two (2) Chrome whaletail door latch.
- Two (2) Multifunctional oval LED lights.
- Four (4) Oval reflector Red.
- One (1) Handle.

PAINT

- Powder coat exterior and interior of white.



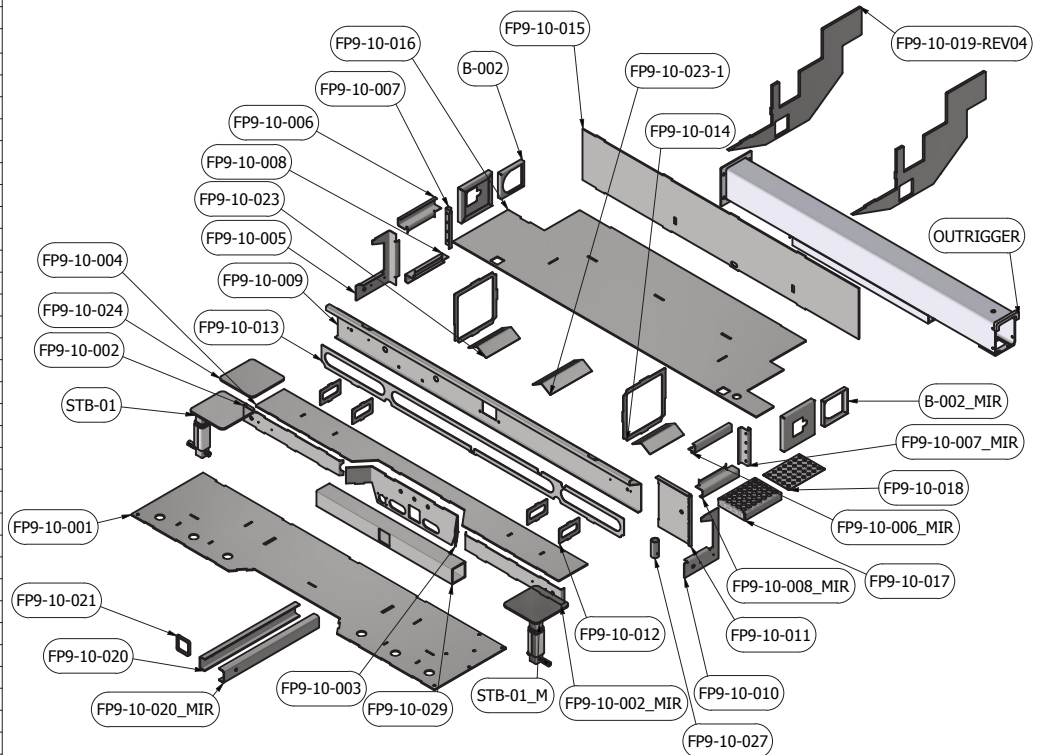
SIDE VIEW



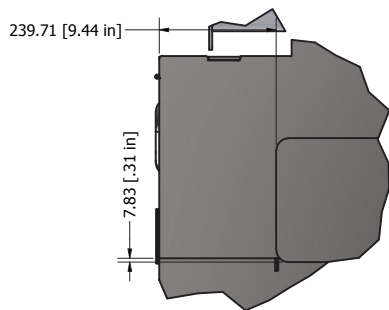
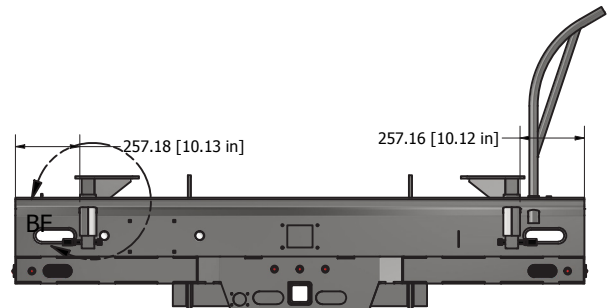
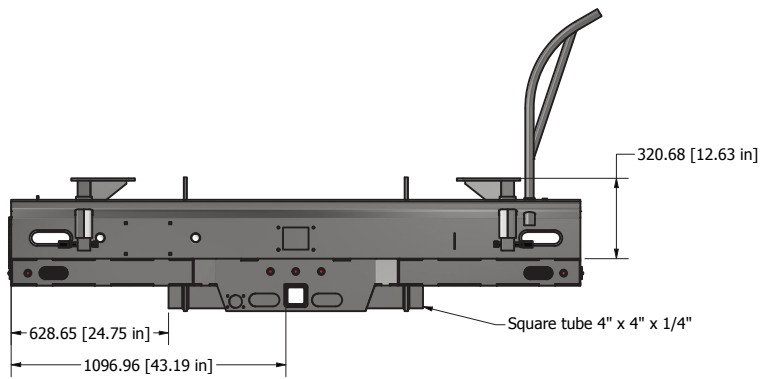
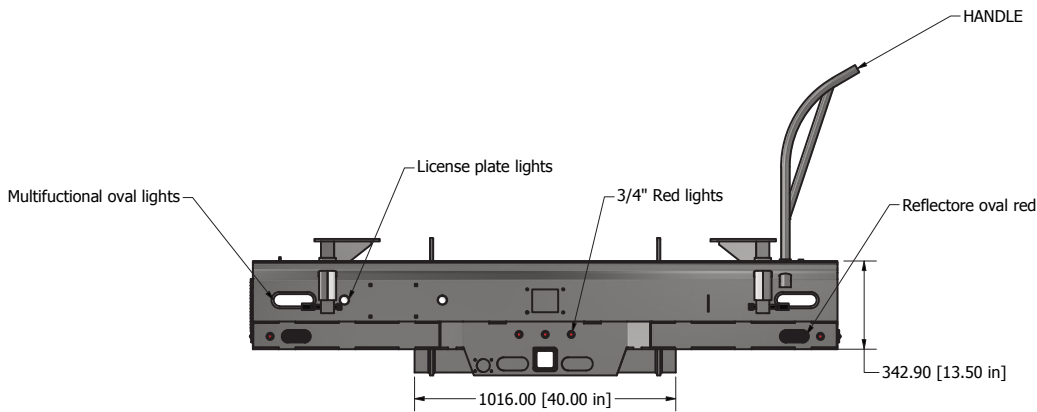
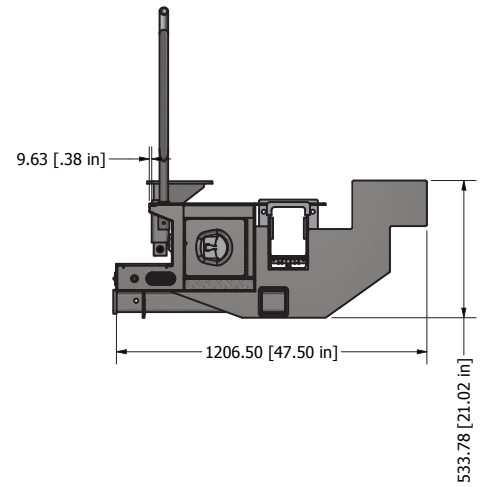
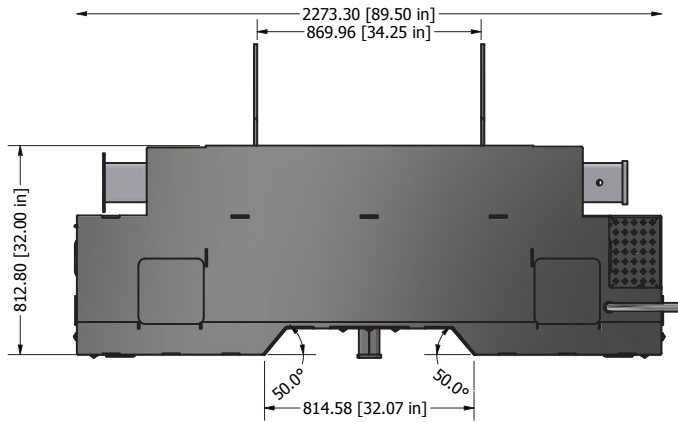
FRONT VIEW

NOTES	
1	Symmetric in the longitudinal plane
2	Reference measurements for cutting and bending
3	Letters only in engraving
4	Angles not specified at 90°

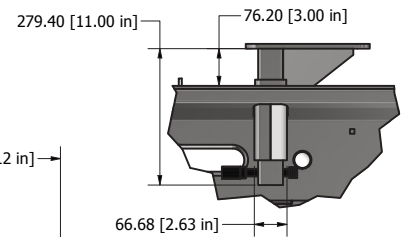
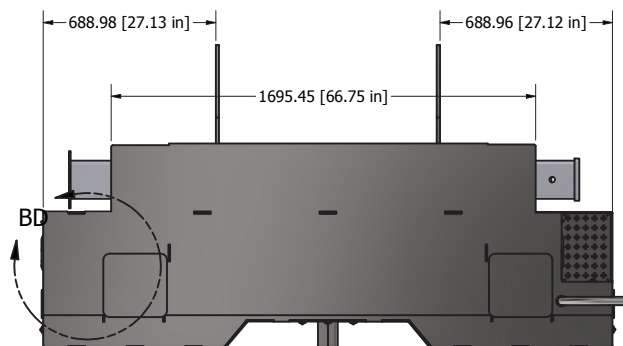
PARTS LIST		
ITEM	QTY	DESCRIPTION
FP9-10-001	1	Steel carbon CAL. 1/4
FP9-10-002	1	Steel carbon cal. 10
FP9-10-003	1	Steel carbon cal. 1/4
FP9-10-004	1	Steel carbon cal. 1/4
FP9-10-005	1	Steel carbon cal. 10
FP9-10-006	1	Steel carbon cal. 10
FP9-10-007	1	Steel carbon cal. 10
FP9-10-008	1	Steel carbon cal. 10
FP9-10-009	1	Steel carbon cal. 10
FP9-10-002_MIR	1	Steel carbon cal. 10
FP9-10-010	1	Steel carbon cal. 10
FP9-10-006_MIR	1	Steel carbon cal. 10
FP9-10-007_MIR	1	Steel carbon cal. 10
FP9-10-008_MIR	1	Steel carbon cal. 10
FP9-10-011	1	Steel carbon cal. 10
FP9-10-012	4	Steel carbon cal. 10
FP9-10-013	1	Steel carbon cal. 10
FP9-10-014	2	Steel carbon cal. 10
FP9-10-015	1	Steel carbon cal. 1/4
FP9-10-016	1	Steel carbon cal. 1/4"
FP9-10-017	1	Steel carbon treadplate cal. 12
FP9-10-018	1	Galvanneal cal. 16
FP9-10-019-REV04	2	Steel carbon cal. 1/2
B-002	1	Steel galvanized cal.14
B-002_MIR	1	Steel galvanized cal.14
FP9-10-020	1	Steel carbon cal. 1/4
FP9-10-020_MIR	1	Steel carbon cal. 1/4
FP9-10-021	1	Steel carbon cal. 1/4
FP9-10-022	1	Steel carbon cal. 1/4
FP9-10-023	2	Steel carbon cal. 10
FP9-10-024	1	Steel carbon cal. 3/8
FP9-10-023-1	1	Steel carbon cal. 10
FP9-10-027	1	1 1/4" SCH 30 Pipe
OUTRIGGER	1	
FP9-10-029	1	S.Q tube 4" x 4" x 1/4"
STB-01	1	Soporte tornillo de banco
STB-01_M	1	Soporte tornillo de banco



CRANE BODY VP60-132-TTFC



DETAIL BD
SCALE 0.13 : 1



DETAIL BF
SCALE 0.13 : 1

CRANE BODY VP60-132-TTFC

