



VENTURO
TRUCK MOUNTED CRANES

DT7K

INSTALLATION & OWNER'S MANUAL

TABLE OF CONTENTS
DT 7K INSTRUCTION MANUAL

SECTION 100

DESCRIPTION & SPECIFICATIONS

17459 INSTALLATION DIMENSIONS - DT7K
 17384 TEMPLATE; MOUNTING HOLES
 17482 CAPACITY CHART; DT7K 6 - 10 FOOT BOOM
 S14930 INSTALLATION DRAWING; 14930 MOUNTING PEDESTAL, COMPONENT
 I14930 INSTALLATION DRAWING; 14930 MOUNTING PEDESTAL, PLACEMENT

SECTION 150

SAFETY

870701 SAFETY & HAZARDS; GENERAL
 21353 DECALS; SAFETY (PAGE 1 OF 2)
 21384 DECALS; SAFETY (PAGE 2 OF 2)
 21373 DECALS; MISCELLANEOUS, DT7K
 21374 DECALS; CAPACITY, DT7K

SECTION 200

INSTALLATION

711105 CABLE & BATTERY REQUIREMENTS; ET & HT CRANES
 15660 DRAWING; BATTERY CABLE INSTALLATION
 711006 WIRE ROPE SPECIFICATIONS
 870702 INSTRUCTIONS; OPERATION & MAINTENANCE

SECTION 400

REPLACEMENT PARTS

20747 DRAWING; REPLACEMENT PARTS, DT7K
 20746 LIST; REPLACEMENT PARTS, DT7K
 19591 DIAGRAM; WIRING KIT FOR WINCH POWER UNIT
 19590 BOM; CONTACTOR ASSEMBLY REPLACEMENT PARTS
 20455 DIAGRAM; REPLACEMENT PARTS, 14555 PENDANT
 19795 DIAGRAM; REPLACEMENT PARTS, 19797 PENDANT
 16651 DIAGRAM; REPLACEMENT PARTS, SWIVEL ASSEMBLY
 I16100 DRAWING; REPLACEMENT PARTS, 16100 SERIES POWER UNIT
 811016 LIST; REPLACEMENT PARTS, 16100 SERIES POWER UNIT
 ▲ 19725 DECAL PLACEMENT
 20849 KIT; FIELD SERVICE LABELS



VENCO VENTURO INDUSTRIES LLC
 CINCINNATI, OHIO

TITLE	DATE	SECTION
TABLE OF CONTENTS	04-16-14F	-
DT7K	SUPERSEDES 04-08-13E	20745

SECTION 100

DESCRIPTION

&

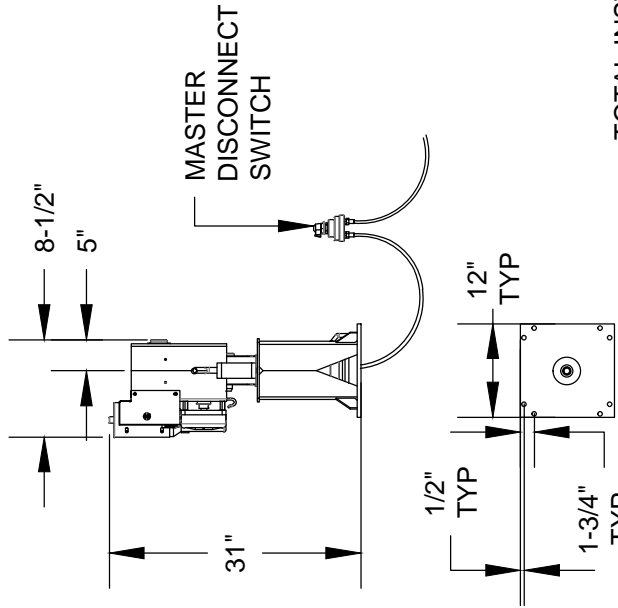
SPECIFICATIONS

PERFORMANCE CHARACTERISTICS		
LOAD LBS	PART LINE	LIFTING SPEED AT LOAD - FT/MIN
0	1	25
1200	1	13
1200	2	10
2000	2	8

SNATCH BLOCK REQUIRED FOR
LOADS OVER 1200 LBS

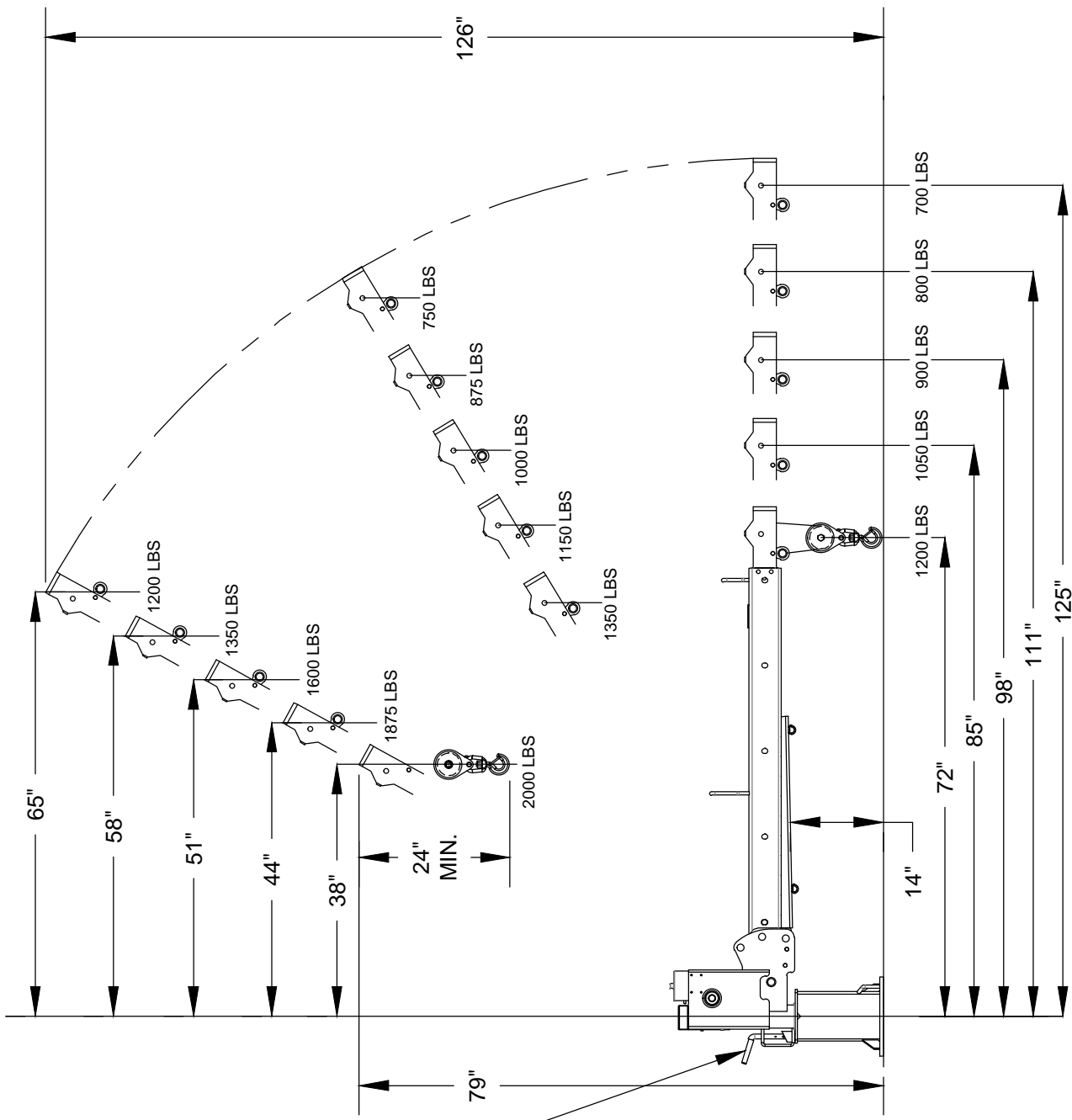
OVERTURNING MOMENT -
7000 FT-LBS

360° CONTINUOUS ROTATION
POSITIVE LOCK IN 8
POSITIONS



BASE MOUNTING DIMENSIONS

TOTAL INSTALLED WEIGHT 285 LBS
WITH SPRING COUNTERBALANCED MANUAL BOOM ELEVATION



WARNING: THESE PRODUCTS ARE NOT PASSENGER LIFTS.
THEY ARE NOT DESIGNED OR INTENDED TO BE USED TO
LIFT, SUSPEND, OR OTHERWISE TRANSPORT PERSONNEL



MANUFACTURING, INC.
CINCINNATI, OHIO

TITLE
INSTALLATION DRAWING

DT7K W/ 6-10 FT. BOOM

DATE
06-23-20E

SUPPERSEDES
03-01-19D

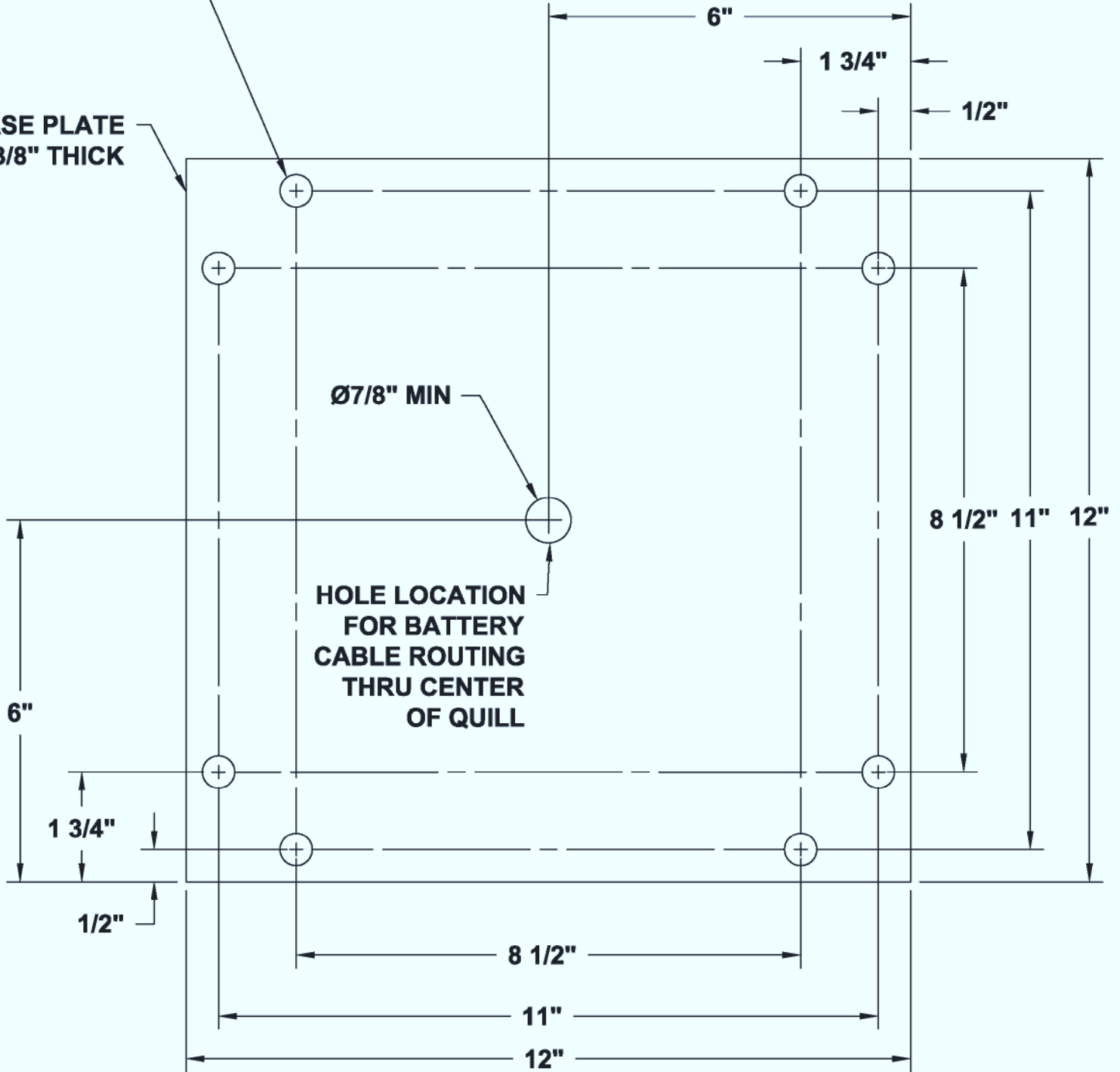
SECTION
C100

17459

MOUNTING HOLE TEMPLATE

CENTERS SHOWN FOR 8
1/2" DIA MOUNTING BOLTS
(NOT FURNISHED)

BASE PLATE
3/8" THICK



Ø7/8" MIN

HOLE LOCATION
FOR BATTERY
CABLE ROUTING
THRU CENTER
OF QUILL

6"

1 3/4"

1/2"

6"

1 3/4"

1/2"

8 1/2" 11" 12"

8 1/2"

11"

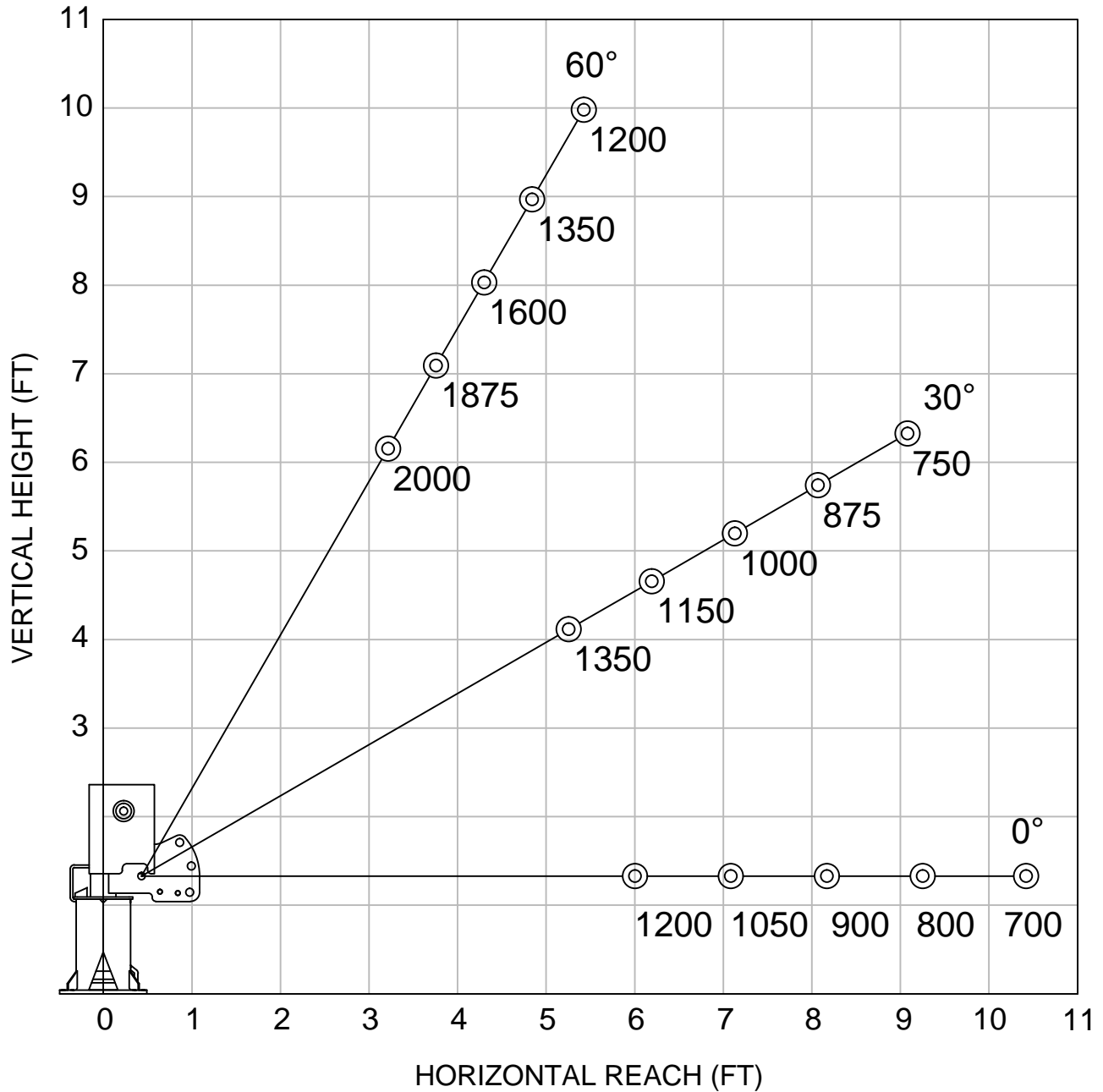
12"

TITLE 13424 BASE MTG DIM	DATE 1-17-05C	SECTION C100
ET6KM, DT7K ▲	SUPERSEDES 1-19-00B	17384

DT7K, 6'-10' BOOM

▲ CRANE SERIAL NUMBER: _____

MAXIMUM LOAD CAPACITY CHART



WEIGHT OF LOAD HANDLING DEVICES ARE PART OF THE LOAD AND MUST BE DEDUCTED FROM THE GROSS CAPACITY.

LOAD BLOCK USAGE

1 PART LINE FOR LOADS LESS THAN 1200 LBS

2 PART LINE FOR LOADS OF 1200 LBS AND GREATER

WEIGHT OF LOAD BLOCK = 5 LBS



VENCO VENTURO INDUSTRIES LLC
CINCINNATI, OHIO

TITLE
MAXIMUM LOAD CAPACITY

DT7K, 6'-10' BOOM

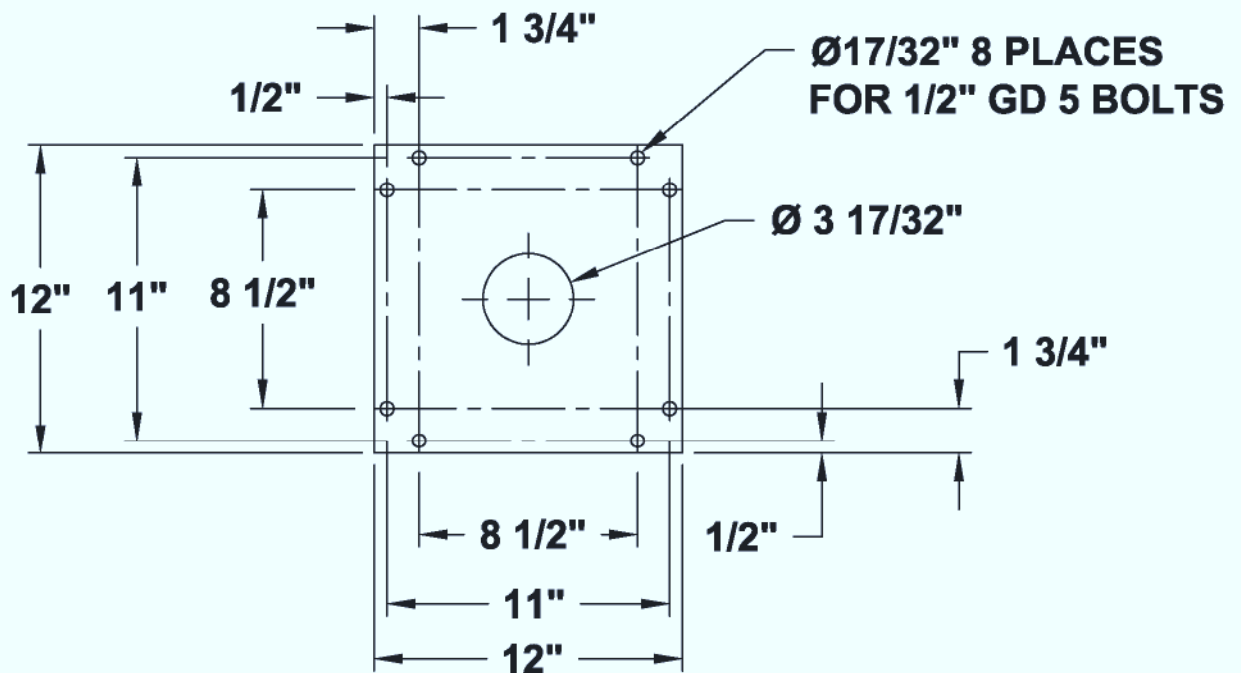
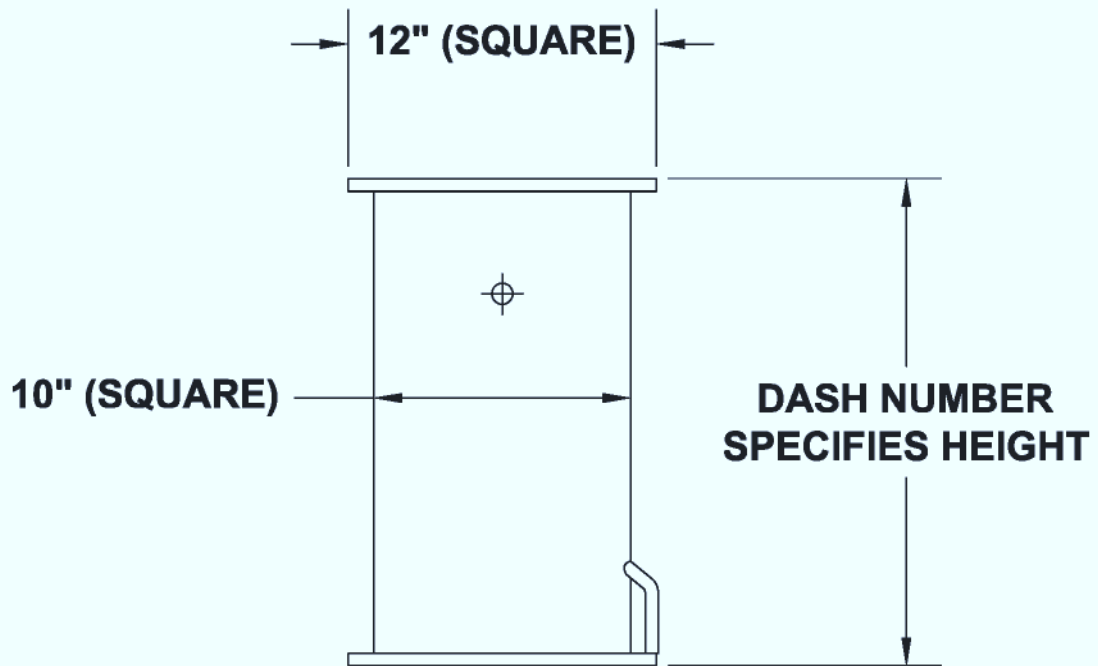
DATE
05-03-16D

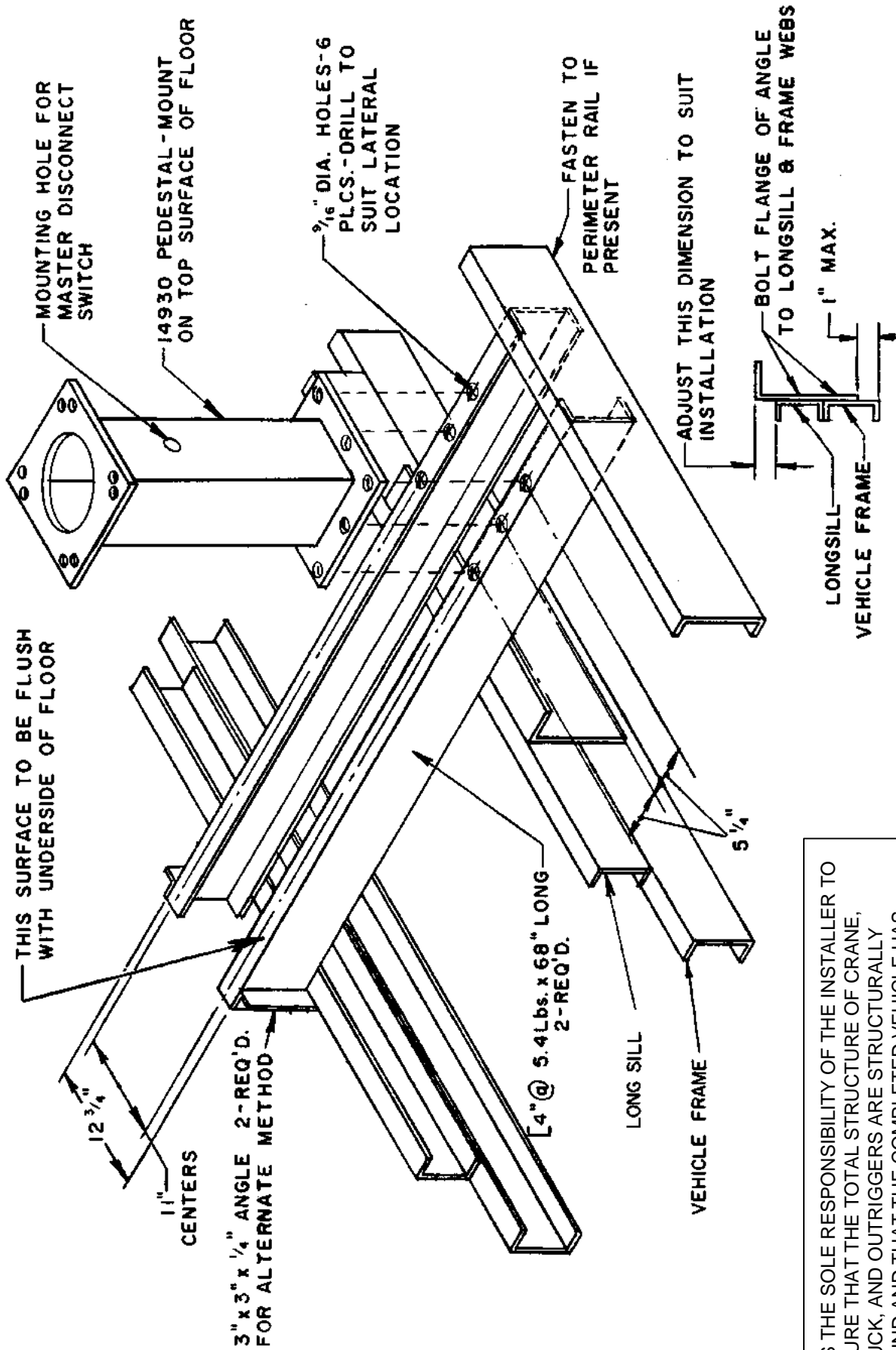
SUPERSEDES
09-17-13C

SECTION
C100

17482

14930 PEDESTAL





IT IS THE SOLE RESPONSIBILITY OF THE INSTALLER TO INSURE THAT THE TOTAL STRUCTURE OF CRANE, TRUCK, AND OUTRIGGERS ARE STRUCTURALLY SOUND AND THAT THE COMPLETED VEHICLE HAS SUFFICIENT STABILITY AGAINST OVERTURNING.

SECTION	C100
DATE	03-04-19G
SUPERSEDES	01-19-00F
	I14930

TITLE	INSTALLATION DRAWING
	ET6KM, DT7K

VENTURO[®] VENCO VENTURO INDUSTRIES LLC
CINCINNATI, OHIO

SECTION 150

SAFETY

CRANE SAFETY AND HAZARDS

CA, CE, CT, AND DT CRANES

CAUTIONS

1. INSPECT VEHICLE AND CRANE, INCLUDING OPERATION, PRIOR TO USE DAILY.
2. DO NOT USE THIS EQUIPMENT EXCEPT ON SOLID, LEVEL SURFACE WITH CRANE MOUNTED ON FACTORY-RECOMMENDED TRUCK.
3. BEFORE OPERATING THE CRANE, REFER TO MAXIMUM LOAD (CAPACITY) CHART ON CRANE FOR OPERATING (LOAD) LIMITATIONS.
4. DO NOT OPERATE, WALK, OR STAND BENEATH BOOM OR A SUSPENDED LOAD.
5. FOR TRAVEL, BOOM MUST BE TIED DOWN IN THE STOWED POSITION.

DANGER

- THIS CRANE IS NOT A PASSENGER LIFT
- IT IS NOT DESIGNED OR INTENDED TO BE USED TO LIFT, SUPPORT, OR OTHERWISE TRANSPORT PERSONNEL.

YOU MUST NOT OPERATE THIS CRANE UNLESS

1. YOU HAVE BEEN TRAINED IN THE SAFE OPERATION OF THIS CRANE
AND
2. YOU KNOW AND FOLLOW THE SAFETY AND OPERATING RECOMMENDATIONS CONTAINED IN THE MANUFACTURER'S MANUALS, YOUR EMPLOYER'S WORK RULES, AND APPLICABLE GOVERNMENT REGULATIONS. AN UNTRAINED OPERATOR SUBJECTS HIMSELF AND OTHERS TO DEATH OR SERIOUS INJURY.



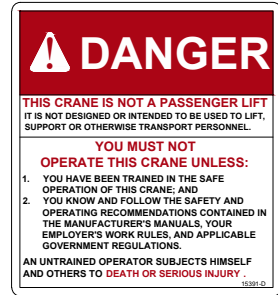
MFG., INC.
CINCINNATI, OHIO

TITLE	INSTALLATION DWG	DATE	3-2-99C	SECTION	C150
	CA, CE, CT, AND DT	SUPERCEDES	10-17-97B		870701

DECAL #: 15390
 DESCRIPTION: CAUTION, INSPECT VEHICLE & CRANE...
 PURPOSE: TO INFORM THE OPERATOR OF KEY OPERATING REQUIREMENTS.
 QUANTITY: 1
 PLACEMENT: REAR COVER OR SIDE OF CRANE



DECAL #: 15391
 DESCRIPTION: DANGER, NOT A PASSENGER LIFT
 PURPOSE: TO INFORM OPERATOR NOT TO LIFT, SUPPORT, OR TRANSPORT PERSONNEL, AND TO ENSURE OPERATOR IS ADEQUATELY TRAINED.
 QUANTITY: 1
 PLACEMENT: REAR COVER OR SIDE OF CRANE



DECAL #: 15392
 DESCRIPTION: DANGER, ELECTROCUTION HAZARD, MACHINE (CRANE)
 PURPOSE: TO INFORM OPERATOR THAT MACHINE (CRANE) REPRESENTS AN ELECTROCUTION HAZARD SHOULD IT COME CLOSE TO OR IN CONTACT WITH AN ELECTRICAL VOLTAGE SOURCE.
 QUANTITY: 1
 PLACEMENT: REAR COVER OR SIDE OF CRANE



DECAL #: 15401
 DESCRIPTION: DANGER, UNLAWFUL TO OPERATE
 PURPOSE: TO INFORM OPERATOR OF PROPER OPERATION IN VICINITY OF ELECTRICAL LINES.
 QUANTITY: 1
 PLACEMENT: RING COVER OR SIDE OF CRANE



DECAL #: 15393
 DESCRIPTION: DANGER, ELECTROCUTION HAZARD, VEHICLE (TRUCK)
 PURPOSE: WARNS OF DANGER FROM ELECTRICALLY CHARGED VEHICLE, CRANE, OR LOAD.
 QUANTITY: 4
 PLACEMENT: EACH SIDE & EACH END OF VEHICLE



VENCO VENTURO INDUSTRIES LLC
 CINCINNATI, OHIO

TITLE
 SAFETY DECALS

VENTURO CRANES

DATE
 04-29-16E

SUPERSEDES
 10-24-13D

SECTION
 C150

21353

PART NO.: 15513

DECAL: MASTER DISCONNECT SWITCH

FUNCTION: To inform the operator of location and operation of master disconnect switch.

QUANTITY: 1

PLACEMENT: On master disconnect switch bracket.



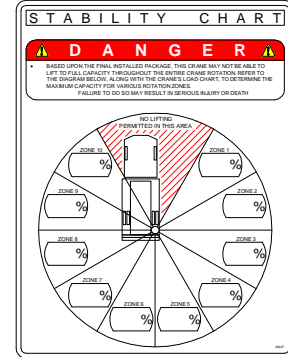
PART NO.: 20927

DECAL: CRANE STABILITY

FUNCTION: To inform the operator of the crane's lifting capacity throughout the entire rotation.

QUANTITY: 1

PLACEMENT: In prominent location, so it is easily seen and readily identifiable.



▲



VENCO VENTURO INDUSTRIES LLC
CINCINNATI, OHIO

TITLE	DATE	SECTION
SAFETY DECALS	06-06-14C	C150
CRANES	SUPERSEDES 04-02-13B	21384

PART NO.: 16719
 DECAL: UNLAWFUL TO OPERATE
 FUNCTION: To inform the operator of proper operation in vicinity of power lines.
 QUANTITY: 1
 PLACEMENT: Left side of boom.



PART NO.: 13191-12
 DECAL: USE LOAD BLOCK
 FUNCTION: To show the operator when to use a load block.
 QUANTITY: 2
 PLACEMENT: One on each side of boom.



PART NO.: 15398
 DECAL: UNPLUG REMOTE CONTROL
 FUNCTION: To inform the operator to unplug remote control when not in use.
 QUANTITY: 1
 PLACEMENT: Near pendant socket.



PART NO.: 19737
 DECAL: DECAL; MODEL, DT7K
 FUNCTION: To show the model of the crane.
 QUANTITY: 2
 PLACEMENT: One on each side of boom.



 VENCIO VENTURO INDUSTRIES LLC CINCINNATI, OHIO	TITLE	DATE	SECTION
	MISC. DECALS	08-11-15B	C150
	DT7K	SUPERSEDES 04-02-13A	21373

PART NO.: 17466-6-1
 DECAL: CAPACITY
 FUNCTION: To show the operator the capacity at six [6] foot boom length.
 QUANTITY: 2
 PLACEMENT: One on each side of boom.

BOOM ANGLE	CAPACITY LBS.
UPPER	2000
CENTER	1350
LOWER	1200



PART NO.: 17466-6-2
 DECAL: CAPACITY
 FUNCTION: To show the operator the capacity at seven [7] foot boom length.
 QUANTITY: 2
 PLACEMENT: One on each side of boom.

BOOM ANGLE	CAPACITY LBS.
UPPER	1875
CENTER	1150
LOWER	1050

PART NO.: 17466-6-3
 DECAL: CAPACITY
 FUNCTION: To show the operator the capacity at eight [8] foot boom length.
 QUANTITY: 2
 PLACEMENT: One on each side of boom.

BOOM ANGLE	CAPACITY LBS.
UPPER	1600
CENTER	1000
LOWER	900

PART NO.: 17466-6-4
 DECAL: CAPACITY
 FUNCTION: To show the operator the capacity at nine [9] foot boom length.
 QUANTITY: 2
 PLACEMENT: One on each side of boom.

BOOM ANGLE	CAPACITY LBS.
UPPER	1350
CENTER	875
LOWER	800

PART NO.: 17466-6-5
 DECAL: CAPACITY
 FUNCTION: To show the operator the capacity at ten 10 foot boom length.
 QUANTITY: 2
 PLACEMENT: One on each side of boom.

BOOM ANGLE	CAPACITY LBS.
UPPER	1200
CENTER	750
LOWER	700



MANUFACTURING, INC.
 CINCINNATI, OHIO

TITLE
CAPACITY DECALS

DT7K

DATE
06-19-13B

SUPERSEDES
04-02-13A

SECTION
C150

21374

SECTION 200

INSTALLATION



!! IMPORTANT !!

ADEQUATE WIRING IMPERATIVE FOR PROPER OPERATION

1. PROPER GROUND PATH - SEE DWG 15660
2. CURRENT DRAW IS SEVERAL HUNDRED AMPERES - ADEQUATE WIRE SIZE AND BATTERY CAPACITY IS ABSOLUTELY ESSENTIAL (SEE CHART BELOW).

▲ MINIMUM WIRE GAUGE AND AUXILIARY BATTERY SIZE

MODEL	TOTAL LENGTH OF CABLE (FT) *								▲ 12 VOLT AUXILIARY BATTERY REQUIREMENTS	
	0-20	21-25	26-30	31-40	41-50	51-60	61-70	71-80	CCA (A) **	RC (MIN) ***
▲ CE1500 CE6K CT2000 CT2003/4/5 DT7K	#4	#4	#2	#2	#1	#0	#0	#00	350	100
ET5500MPB ET5500R ET6KMPB ET6KR ET6K ET8K ET10K ET12K	#2	#2	#1	#0	#00	NOT RECOMMENDED			450	100
ET8KX ET10KX ET12KX ▲ ET12KXP	#2	#2	#1	#0	#00	NOT RECOMMENDED			550	150
ET18K(X) ET25K(X) ET30KX ET36KX	SEE DRAWING 15660 FOR CABLE AND BATTERY REQUIREMENTS									

* INCLUDES GROUND CABLE

** CCA = COLD CRANKING AMPS AT 0° (F).

*** RC = RESERVE CAPACITY IN MINUTES AT 25 AMPS AND 80° (F).
THE RC RATING IS A MEASURE OF THE PERIOD OF TIME THE BATTERY CAN SUPPLY A GIVEN CURRENT WITHOUT RECHARGING.



VENCO VENTURO INDUSTRIES LLC
CINCINNATI, OHIO

TITLE
CABLE & BATTERY

DATE
07-30-18X

SECTION
C200

ELECTRIC CRANES

SUPERSEDES
09-27-17W

711105

RECOMMENDED CIRCUIT BREAKER TABLE

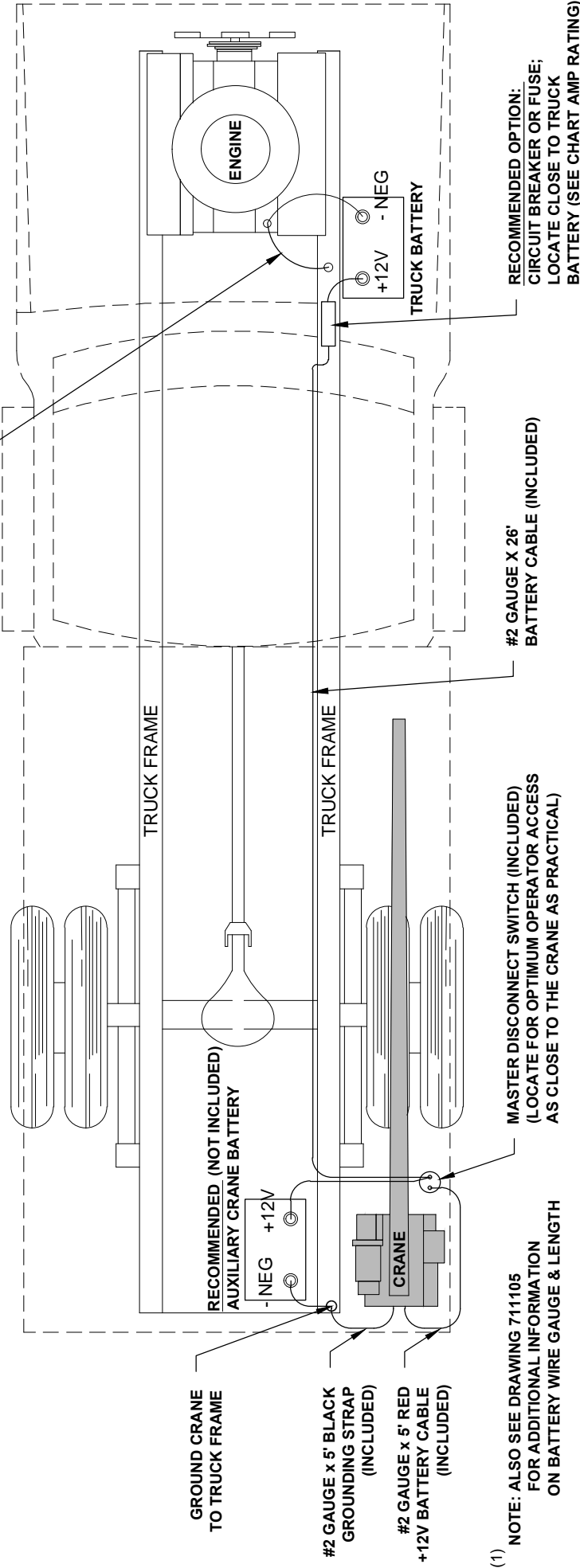
CRANE	DESCRIPTION	PART NO.
CT310KX	250 AMP, MAN RESET	22946-250
DT7	250 AMP, MAN RESET	22946-250
CE-1500-FB	150 AMP, MAN RESET	22946-150
CE6K	150 AMP, MAN RESET	22946-150
CT200X	250 AMP, MAN RESET	22946-250
ET6K	250 AMP, MAN RESET	22946-250
ET8/12K(X)	250 AMP, MAN RESET	22946-250
ET12KXP	300 AMP, MAN RESET	22946-300
ET16/18KX-16'	250 AMP, MAN RESET	22946-250
ET16/18KX-20'	300 AMP, MAN RESET	22946-300
ET25/30KX	300 AMP, AUTO RESET	22946-300
ET36KX	300 AMP, AUTO RESET	22946-300

BATTERY REQUIREMENTS

- 12 VOLT **VEHICLE** BATTERY REQUIREMENTS
 - 625 COLD CRANKING AMPS (AT 0° F)
 - 160 MINUTES RESERVE CAPACITY
 - 102 PLATES, 105 AMP-HR
- (1) • 12 VOLT **AUXILIARY** BATTERY REQUIREMENTS
 - SEE MINIMUM WIRE GAUGE AND BATTERY SIZE

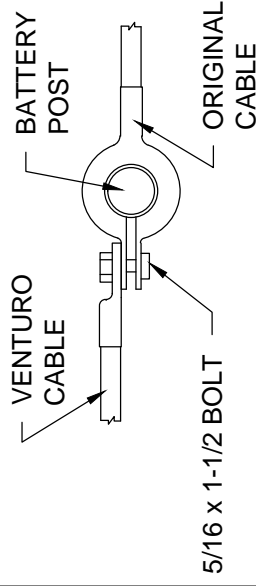
NOTE: OPERATING WITH THE VEHICLE BATTERY 'ONLY' IS PERMISSIBLE, BUT NOT RECOMMENDED.

INSTALL #2 GAUGE GROUND STRAP FROM ENGINE TO TRUCK FRAME (REQUIRED IF NEGATIVE FROM BATTERY IS CONNECTED TO ENGINE)



(1) NOTE: ALSO SEE DRAWING 711105 FOR ADDITIONAL INFORMATION ON BATTERY WIRE GAUGE & LENGTH

RECOMMENDED BATTERY TERMINAL ATTACHMENT



VENCO VENTURO INDUSTRIES LLC
CINCINNATI, OHIO

TITLE
BATTERY CABLE & COMPONENT INSTALL

ET CRANES

DATE
09-03-20M

SUPERSEDES
07-30-18L

SECTION
C200

15660

▲ WIRE ROPE SPECIFICATIONS

SELECTION

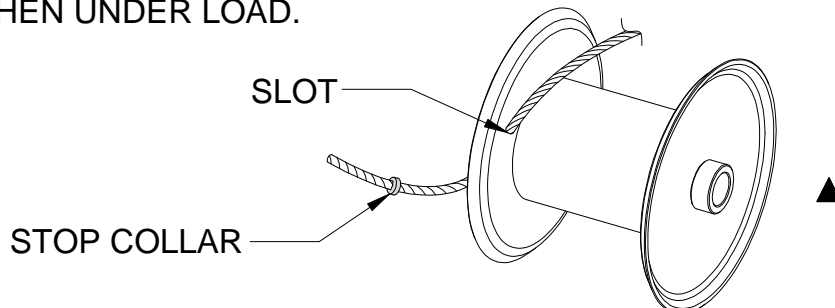
The chart below shows the maximum working load and breaking strength of 7 x 19 Galvanized AIRCRAFT Grade Wire Rope in various diameters. The breaking strength is 3 ½ times the maximum working load. Do not use wire rope with a maximum working load rating less than the single line capacity of the crane. Use wire rope diameter larger than the size furnished with the crane will reduce the fatigue life of the wire rope.

▲

WIRE ROPE DIAMETER	MAXIMUM WORKING LOAD	BREAKING STRENGTH
1/8"	570 LBS.	2000 LBS.
5/32"	800 LBS.	2800 LBS.
3/16"	1200 LBS.	4200 LBS.
7/32"	1600 LBS.	5600 LBS.
1/4"	2000 LBS.	7000 LBS.
5/16"	2800 LBS.	9800 LBS.
3/8"	4114 LBS.	14400 LBS.

INSTALLATION

1. Unwind coil of rope by rolling it along the floor. This will prevent kinking
2. Most VENTURO cranes are provided with a slot in the winch side plate for attaching the end of the wire rope with a stop collar. A hole in the housing allows access for the end of the wire rope when inserted thru the slot.
The ET20K(X) & ET25K(X) cranes have a clamp built into the winch drum and do not use a stop collar.
3. THERE MUST ALWAYS BE AT LEAST THREE [3] TURNS OF WIRE ROPE ON THE DRUM WHEN UNDER LOAD.



MANUFACTURING, INC.
CINCINNATI, OHIO

TITLE
WIRE ROPE SPECS
WINCH & CRANE

DATE
12-05-13K
SUPERSEDES
11-10-08J

SECTION
WC 200
711006

OPERATING INSTRUCTIONS

CA, CE, CT, & DT CRANES

ELECTRIC WINCH

The winch is operated by a control switch in a plug-in remote pendant. Unplug the pendant and store it in the vehicle when the crane is not in use.

TELESCOPING BOOM

On CE6K, CT & DT Cranes the boom can be manually extended. The hole in the extension section of the boom should be aligned with the slot in the stationary section at the position desired and the toggle pin inserted. The crane lifting capacity is shown at each toggle pin position on the CT & DT cranes. The CE6K has a decal on the mast which shows the capacities of the crane at its various angles and extensions.

SWIVEL SNATCH BLOCK

On CA2000, CT200X, and DT Cranes, the swivel snatch block must be used for loads over 1200 lbs. On the CE6K, the swivel snatch block must be used on loads over 1000 lbs. It may also be used for lower loads to reduce lifting speed for better control and to prevent loads from spinning. CA1000 & CT100X Cranes have a permanently rigged swivel block.

SWIVEL LOCK

On the CT & DT Cranes the hand lever operated swivel lock controls the 360° rotation of the crane and provides positive locking in 8 positions.

BAND BRAKE

The CE6K is equipped with a band brake that provides unlimited rotational positioning.

BOOM TIE DOWN

The load line should be used to tie down the boom to the socket or truck bed while the crane is not in use.

OPTIONAL MASTER DISCONNECT SWITCH

This switch should be turned "OFF" when the crane is not in use to disconnect the crane from the battery.

MAINTENANCE

The crane should be lubricated when the vehicle is serviced.

WINCH GEAR BOX (CT & DT cranes only) ▲

Check the oil level by removing the plug in the side of the gear box. If the oil level is below the plug opening, fill with SAE 85W-140 Hypoid gear oil.

WINCH DRIVE CHAIN (CT & DT cranes only) ▲

Oil lightly. **DO NOT GREASE.** Excess oil or grease will collect dirt and cause excessive chain wear. Inspect the chain and sprockets for excessive wear and proper alignment. Replace if excessively worn.

CRANE SOCKET SWIVEL BEARINGS

The crane should be removed from the socket once a year or more often if excessive dirt is present. Dirt should be cleaned out from around the lower bearing. Use a rag or brush to apply a light weight oil several times to the lower and upper bearings which are both oilite bronze except for the CE, CT200X & DT Cranes upper bearing which does not require lubrication.



MFG., INC.
CINCINNATI, OHIO

TITLE
INSTALLATION DWG

CA, CE, CT, & DT

DATE
8-01-01C

SUPERCEDES
3-3-99B

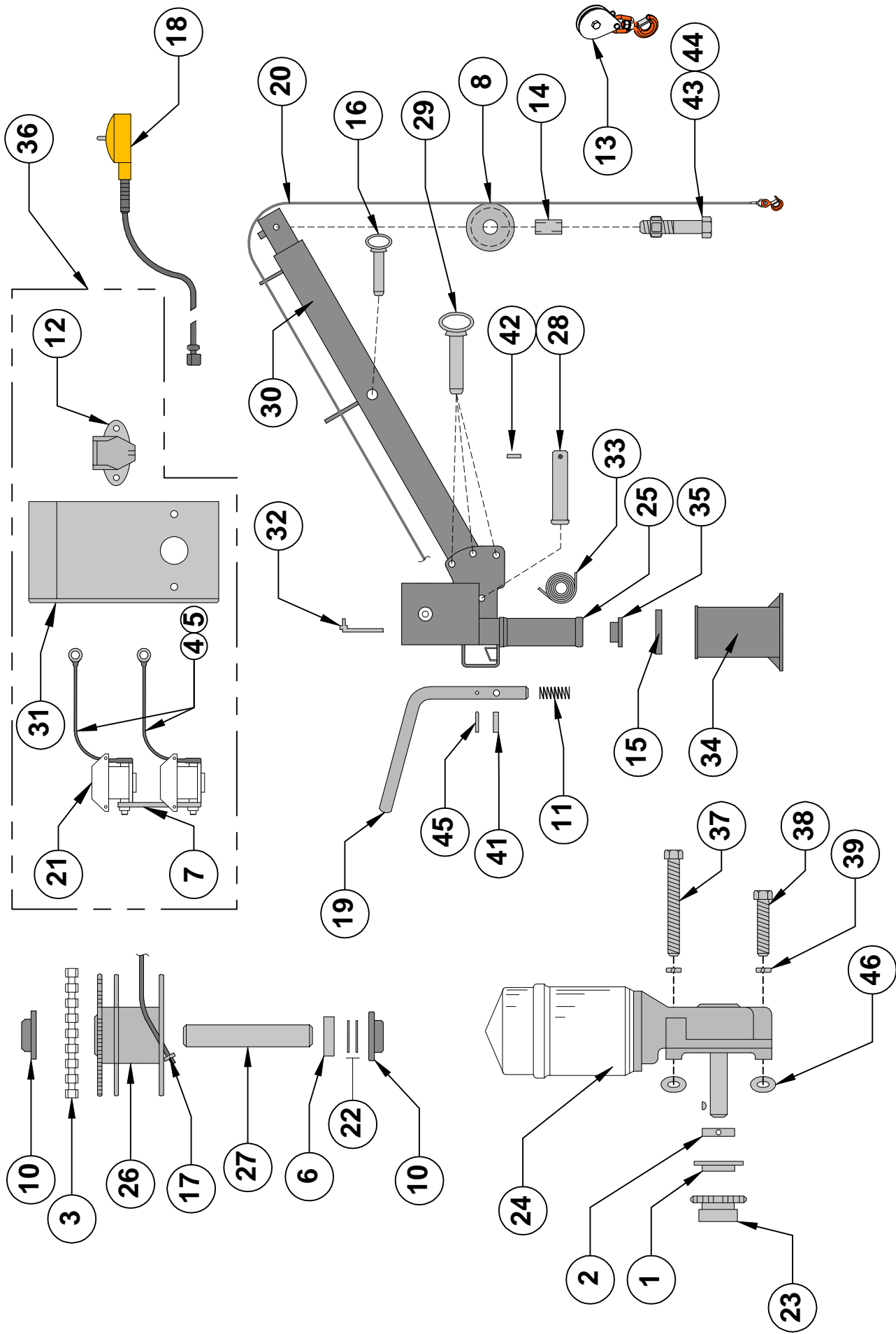
SECTION
C200

870702

SECTION 400

PARTS





REPLACEMENT PARTS LIST 20746

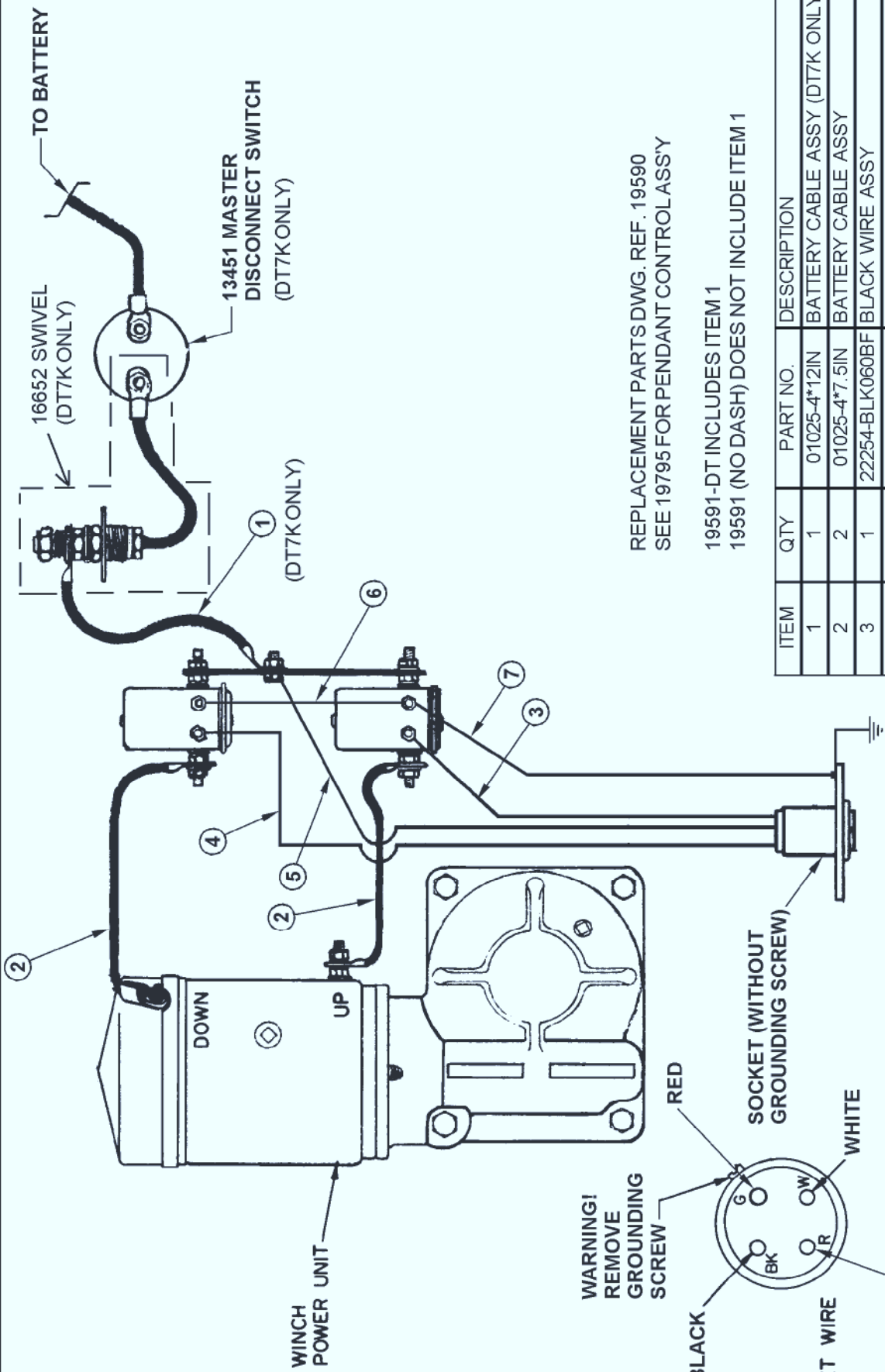


MANUFACTURING, INC.
CINCINNATI, OHIO

TITLE	REPLACEMENT PARTS	DATE	SECTION
	DT7K	12-18-12H	C400
		SUPERSEDES	
		05-02-06G	20747

ITEM #	PART #	DESCRIPTION	ITEM #	PART #	DESCRIPTION
1	20982	FLANGED BEARING; 3/4" X 1 3/4" OD	41	IRPIN-031125	ROLL PIN; 5/16" X 1 1/4"
2	00210	THRUST COLLAR; 3/4" BORE	42	IRPIN-025175	ROLL PIN; 1/4" X 1 3/4"
3	00867-1	DRIVE CHAIN; #40 CONTINUOUS 50-LINK LOOP	43	IHHCS06311175	HEX HEAD CAP SCREW; 5/8-11 X 1 3/4"
4	01025-4*25FT	BATTERY CABLE	44	IJNUT-06311N	JAM NUT; 5/8-11 W/ NYLON INSERT
5	01025-4*6IN	MOTOR CABLE; 4 GAUGE X 6"	45	IRPIN-019125	ROLL PIN; 3/16 X 1 1/4"
6	01158	THRUST COLLAR; DRUM SHAFT, 1" BORE	46	IFWSH-038	FLAT WASHER; 3/8"
7	01181	BUSS BAR	47	-	-
8	19646	CABLE SHEAVE WITH BRONZE BUSHING	48	-	-
9	-	-	49	-	-
10	01299	BALL BEARING; FLANGE; DRUM SHFT, 1" X 2"OD	50	-	-
11	11889	SPRING; SWIVEL LOCK	51	-	-
12	12102-1	SOCKET; 4 POLE	52	-	-
13	19678	LOAD BLOCK; SWIVEL W/ SAFETY LATCH	53	-	-
14	13168-2	BUSHING; SLEEVE	54	-	-
15	20179	BEARING; UPPER; 4" ID	55	-	-
16	18541-68	HITCH PIN; BOOM EXTENSION	56	-	-
17	13463-1	STOP SLEEVE; 4" ID	57	-	-
18	14555-V18S15P	PENDANT; ONE SWITCH, 15' STRAIGHT CORD	58	-	-
19	14785	LOCK BOLT; SWIVEL LOCK	59	-	-
20	15810-3/16-50	WIRE ROPE / HOOK ASSY	60	-	-
21	15831C	CONTACTOR	61	-	-
22	15979	SHIM SET	62	-	-
23	15999	SPROCKET; DRIVE, 10 TOOTH	63	-	-
24	16105-1	POWER UNIT; WINCH, MOTOR, GEARBOX	64	-	-
25	16611	MECHANISM WELDED ASS'Y	65	-	-
26	16612	CABLE DRUM	66	-	-
27	16614	DRUM SHAFT	67	-	-
28	16615	PIN; BOOM PIVOT	68	-	-
29	16616	HITCH PIN; BOOM ANGLE	69	-	-
30	16618	BOOM WELDED ASSY	70	-	-
31	16634	COVER	71	-	-
32	16651	SWIVEL TERMINAL ASS'Y	72	-	-
33	16711/2/3	SPRINGS; TORSION (16711, 16712, 16713)	73	-	-
34	18424	BASE WELDED ASSY	74	-	-
35	18575	BUSHING; FLANGED	75	-	-
36	19590	CONTACTOR ASSY; INCLUDES ADDITIONAL ITEMS NOT SHOWN	76	-	-
37	IHHCS03816300	HEX HEAD CAP SCREW; 3/8-16 X 3"	77	-	-
38	IHHCS03816150	HEX HEAD CAP SCREW; 3/8-16 X 1 1/2"	78	-	-
39	ILWSH-038	LOCK WASHER; 3/8"	79	-	-
40	19472	KIT; FLD SRVC LABEL, DT7K W/ 6-10 FT BOOM	80	-	-
		REPLACEMENT PARTS DWG REF 20747			

 VENTURO MANUFACTURING, INC. CINCINNATI, OHIO		TITLE	
		REPLACEMENT PARTS	
REPLACEMENT PARTS DWG REF 20747		DATE	SECTION
		12-18-12G SUPERSEDES	C400
DT7K		20746	



REPLACEMENT PARTS DWG. REF. 19590
 SEE 19795 FOR PENDANT CONTROL ASSY
 19591-DT INCLUDES ITEM 1
 19591 (NO DASH) DOES NOT INCLUDE ITEM 1

ITEM	QTY	PART NO.	DESCRIPTION
1	1	01025-4*12IN	BATTERY CABLE ASSY (DT7K ONLY)
2	2	01025-4*7.5IN	BATTERY CABLE ASSY
3	1	22254-BLK060BF	BLACK WIRE ASSY
4	1	22254-WHT060BF	WHITE WIRE ASSY
5	1	22254-RED035CF	RED WIRE ASSY
6	1	22254-GRN045BB	GREEN WIRE ASSY (JUMPER)
7	1	22254-GRN038BC	GREEN WIRE ASSY (GROUND)

TITLE	DATE	SECTION
WIRING KIT / DIAGRAM	1-13-03E	C400
	CT2003/4/5(FB), DT7K	19591

MANUFACTURING, INC.
 CINCINNATI, OHIO



ITEM	QTY	PART NO	DESCRIPTION
1	1	19591	WIRING KIT
2	1	12102-1R	SOCKET 4 POLE LESS GROUND SCREW HOLE
3	2	15831C	CONTACTOR
4	1	16634	CONTACTOR COVER
5	1	1181	BUSS BAR
6	2	16637	GROMMET - 5/8" I.D. x 7/8" O.D. x 1/16" GROOVE
7	1	!HCS03118075-B	HEX HEAD CAP SCREW - 5/16"-18 x 3/4" LG BRASS
8	2	!HNUT-03118-B	HEX NUT - 5/16"-18 BRASS
9	3	!LWSH-031-STAR	STAR LOCKWASHER - 5/16"
10	1	15398	DECAL - UNPLUG PENDANT
11	2	18542	BOOT - MOTOR TERMINAL
12	2	!UNUT15195-1420	U-NUT - 1/4"-20
13	1	14858-1	PLUG - 7/8"
14	2	!PHCS02520063	PAN HEAD CAP SCREW - 1/4"-20 x 5/8"
15	2	!HWHS02520075-F	HEX WASHER HEAD - 1/4"-20 x 3/4" SELF TAPPING
16	2	!LWSH-025	LOCK WASHER - 1/4"
17	2	!HNUT-02520	HEX NUT - 1/4"-20

REPLACES 16635

WIRING SCHEMATIC REF 19591



MANUFACTURING, INC.
CINCINNATI, OHIO

TITLE
CONTACTOR ASSEMBLY

CT/DT CRANES

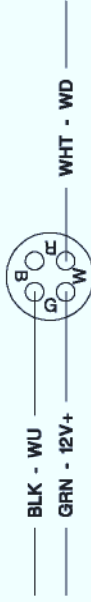
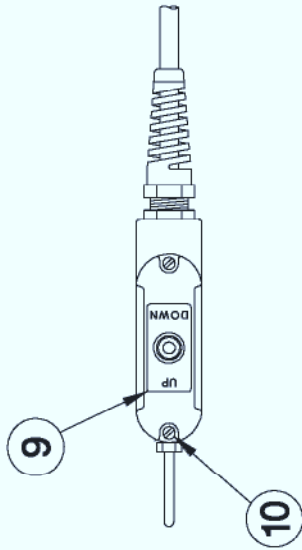
SECTION

DATE
3-5-99B

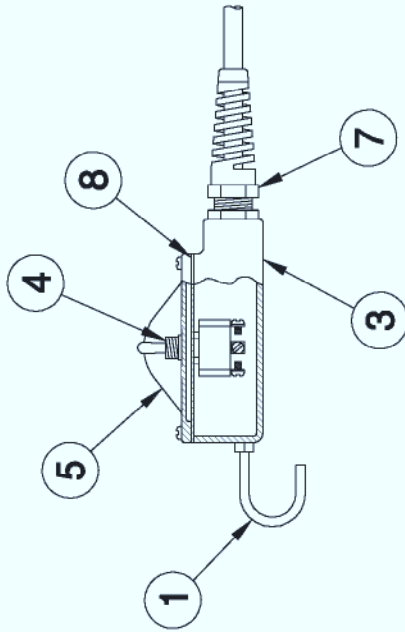
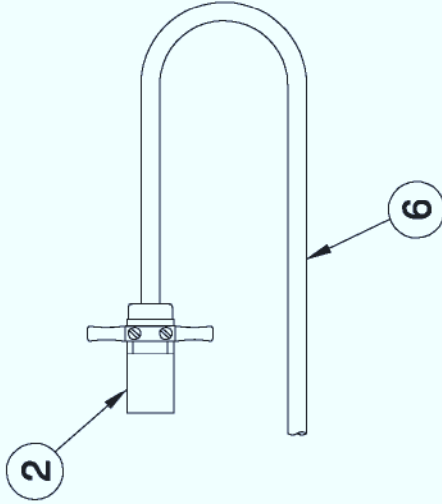
SUPERCEDES
1-27-99A

19590

14555 SERIES PENDANT CORD



PLUG - BACKSIDE VIEW



GREEN WIRE
12V+

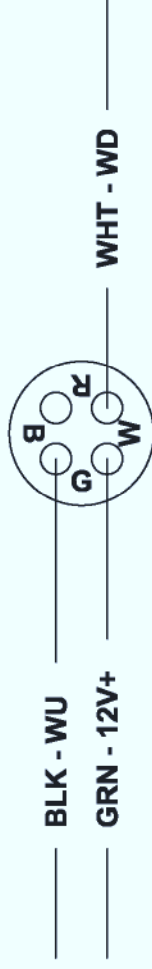
WHITE WIRE
WINCH DOWN

BLACK WIRE
WINCH UP

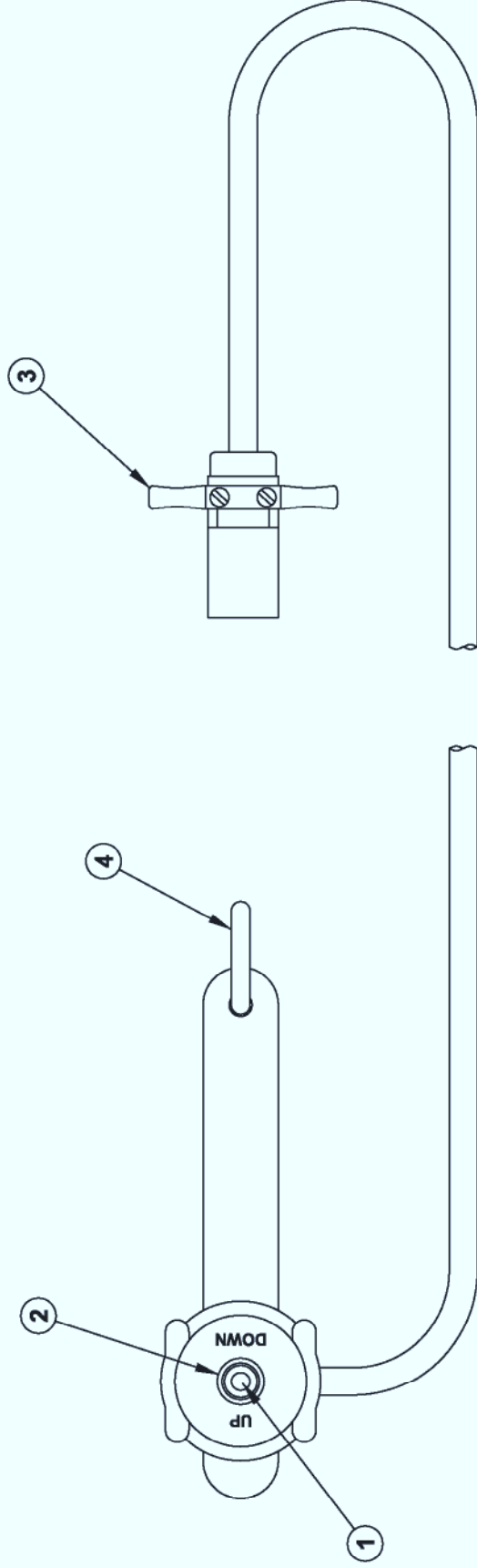
ITEM	QTY	PART NO.	DESCRIPTION
10	2	IPHCS#0832050	PHCS 8-32 x 1/2
9	1	14793-2	DECAL, UP & DOWN FOR PENDANT
8	1	14958	GASKET 1/2"
7	1	14578	1/2" STRAIN RELIEF
6	1	14542-18Sxx	CORD ASSY (xx = LENGTH IN FT.)
5	1	14064	PENDANT COVER
4	1	13763	TOGGLE SWITCH
3	1	13382	ENCLOSURE 1/2"
2	1	12102-2	PLUG - 4 POLE
1	1	11557	PENDANT HOOK

TITLE	DATE	SECTION
REPL. PARTS DWG.	8-24-99	C400
1 FUNCTION CRANES	SUPERSEDES	20455

19797 SINGLE SWITCH PENDANT



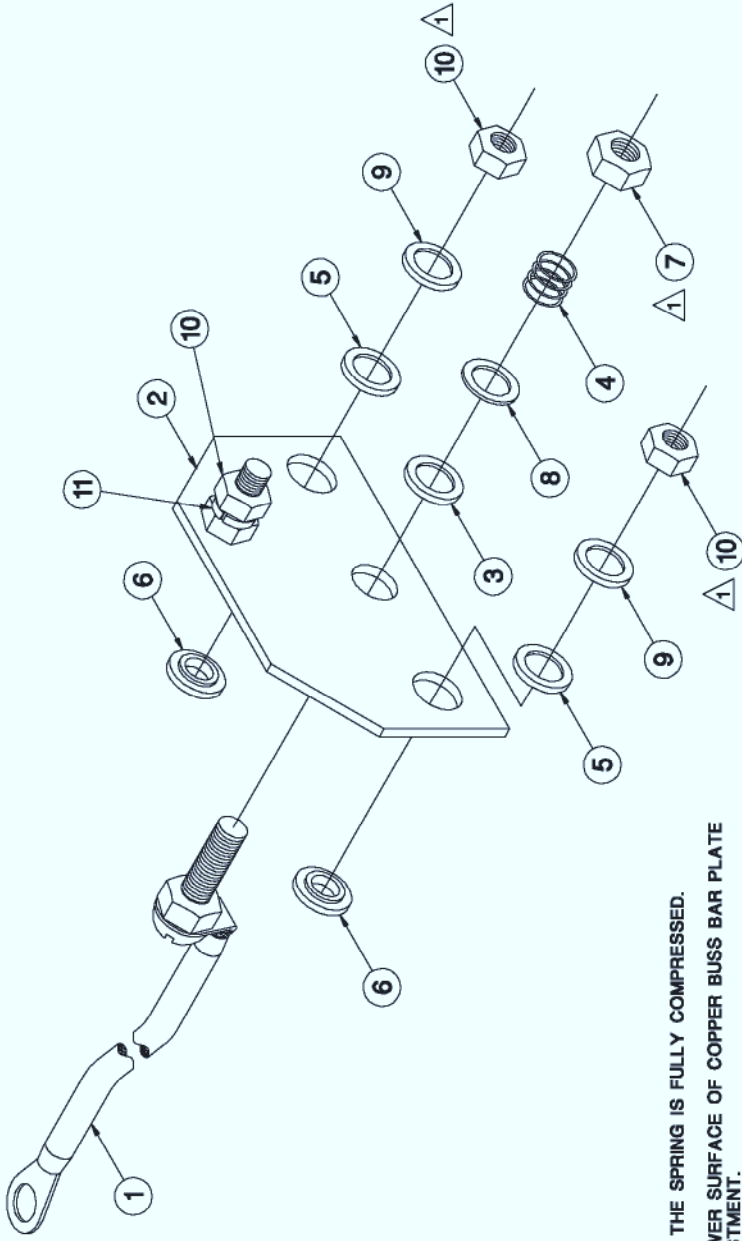
PLUG - BACKSIDE VIEW



ITEM	QTY	PART NO.	DESCRIPTION
4	1	19794	D-RING
3	1	12102-2	PLUG - 4 POLE
2	1	19793	TOGGLE BOOT
1	1	13763	TOGGLE SWITCH

VENTURO MANUFACTURING, INC.
 CINCINNATI, OHIO

TITLE: REPL. PARTS DWG.
 SECTION: C400
 DATE: 7-14-99
 SUPPERSEDES: -
 1 FUNCTION CRANES
19795



INSTALLATION PROCEDURE:

ASSEMBLE ALL PARTS AS SHOWN.

TIGHTEN TOP BRASS JAM NUT (ITEM 7) UNTIL THE SPRING IS FULLY COMPRESSED.

SET BOTTOM SIDE OF CLAMP 20" BELOW LOWER SURFACE OF COPPER BUSS BAR PLATE AND LIGHTLY TIGHTEN TO ALLOW FOR ADJUSTMENT.

WITH THE MECHANISM MOUNTED TO THE SHIPPING SKID INSERT THE SWIVEL PIGTAIL ASSY INTO THE MECHANISM - BE SURE COPPER BUSS BAR PLATE (ITEM 2) IS SEATED FULLY ONTO THE MOUNTING STUDS OF THE MECHANISM WITH SHOULDER WASHERS (ITEM 6) CORRECTLY INSTALLED.


PULL ON THE AUTOLOOM FIRMLY UNTIL THE CLAMP (16679-2) COMES TO REST INSIDE THE MECHANISM.

PLACE A MARK ON THE BATTERY CABLE APPROX. 1/16" BEYOND WHERE THE AUTOLOOM STOPS.

REMOVE THE SWIVEL PIGTAIL ASSY FROM THE MECHANISM.

SLIDE THE AUTOLOOM CLAMP ASSY TO THE MARK YOU MADE ON THE BATTERY CABLE AND TIGHTEN CLAMP.

BACK OFF THE BRASS JAM NUT (ITEM 7) UNTIL THREE THREADS ARE EXPOSED ABOVE TOP OF NUT.

REINSTALL ASSY. INTO THE MECH. AND APPLY BLUE LOCTITE WHERE SPECIFIED (SEE ).

 INSTALL USING 242 BLUE LOCTITE.

ITEM	QTY	PART NO.	DESCRIPTION
11	1	ILWSH-031	LOCK WASHER - 5/16"
10	3	HNUT-03118	HEX NUT - 5/16-18
9	2	FWSH-025S	FLAT WASHER - 1/4" S/S
8	1	FWSH-038075031	STEEL WASHER - 3/8" x 3/4" x 1/32"
7	1	HNUT-03816B	JAM NUT - 3/8-16 BRASS
6	2	01021	INSULATOR
5	2	01016	FIBER WASHER
4	1	16661	SPRING
3	1	16655	TEFLON WASHER
2	1	16653	SWIVEL BUS BAR ASSY
1	1	16652	PIGTAIL ASSY

TITLE
SWIVEL ASSEMBLY

DATE
4-2-98D

SECTION
C400

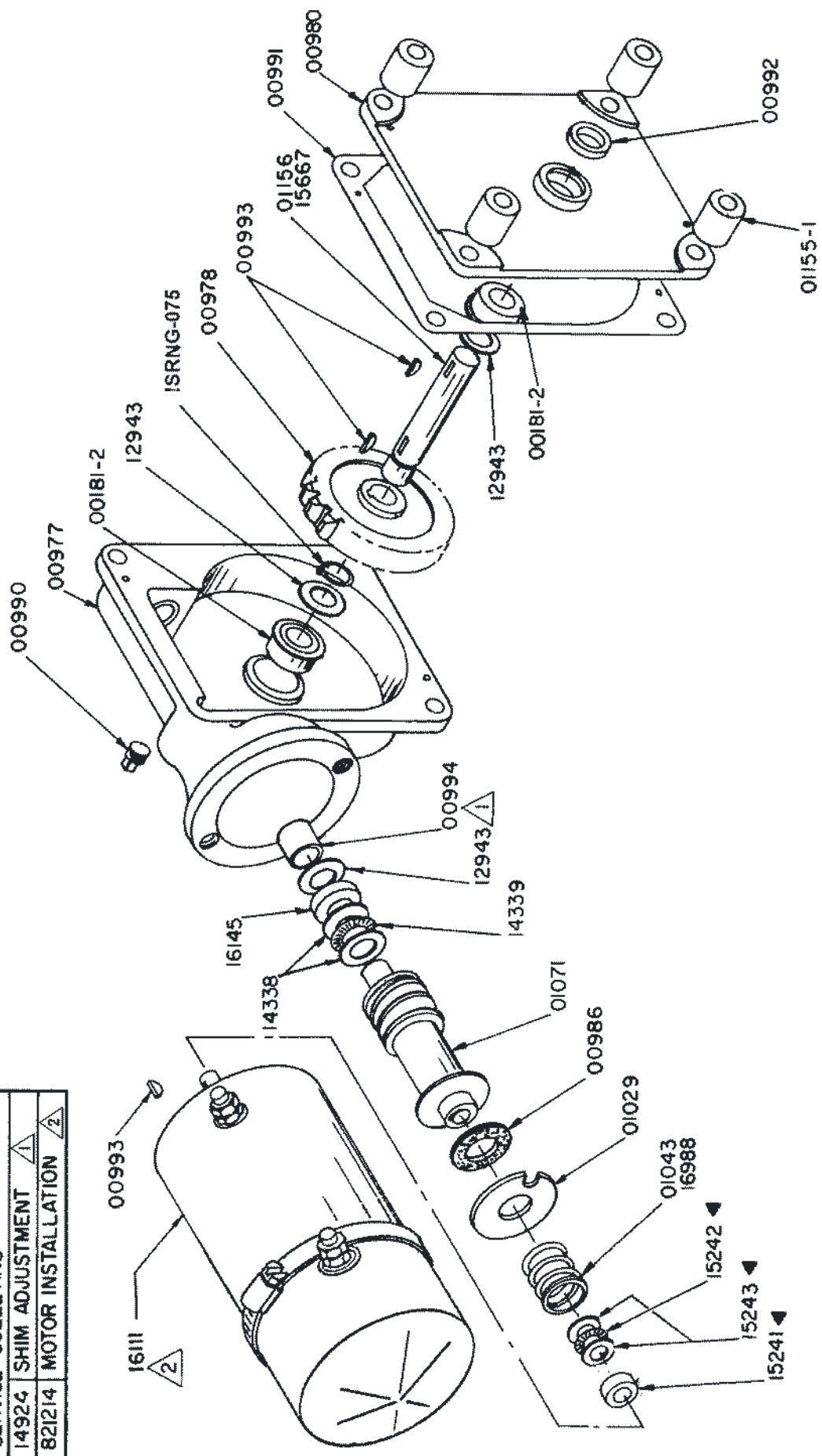
MANUFACTURING, INC.
CINCINNATI, OHIO

DT6500, DT7K

SUPERSEDES
11-12-97C

16651

SERVICE BULLETINS	
14924	SHIM ADJUSTMENT Δ
821214	MOTOR INSTALLATION Δ



SEE DWG. 14924/14926 FOR SERVICE INSTRUCTION

16100 SERIES POWER UNITS

TITLE REPLACEMENT PARTS WINCH & CRANE	DATE 5-9-06F	SECTION C450
	SUPERCEDES 4-14-04E	I16100

VENTURO
MANUFACTURING, INC.
CINCINNATI, OHIO

REPLACEMENT PARTS LIST - 16100 ELECTRIC POWER UNIT

MODEL(S): ET5500MPB, ET6KM, ET6KR

PART NO.	DESCRIPTION
16101 16102 16105 16105-1 16106 16107	POWER UNIT - LONG SHAFT - ET5500R WINCH ² POWER UNIT - SHORT SHAFT - ET5500R ROTATION POWER UNIT - LONG SHAFT - CA 2000, CT 2003, WA/SL 3000 (WITH SPACERS) POWER UNIT - LONG SHAFT - CA 2000, CT 2003/4/5(FB), WA/SL 3000 (WITHOUT SPACERS) POWER UNIT - LONG SHAFT ³ POWER UNIT - SHORT SHAFT - ET5500R ROTATION
00181-2 00977 00978 00980 * 00986	FLANGE BEARING - 3/4" BORE x 1 3/4" O.D. GEAR CASE (INCLUDES 00994 BUSHING) WORM GEAR BASE PLATE (00980-1) & INSERT (00980-2) ASSEMBLY BRAKE DISC
* ISRNG-075 00990 * 00991 * 00992 ⁴ * 00993	RETAINING RING - 3/4" OIL PLUG - 1/4" PIPE GASKET OIL SEAL KEY - #9 WOODRUFF
00994 01029 01043 ⁴ 01071 01155-1	BUSHING BRAKE PLATE BRAKE SPRING (16102 & 16107 ROTATION POWER UNIT ONLY) WORM SHAFT SPACER (16105 ONLY)
01156 * 12943-1 ⁴ * 12943-2 ⁴ * 12943-3 ⁴ 14338	WORM GEAR SHAFT - 3/4" x 5 3/16" LONG (16105 & 16106 ONLY) SHIM WASHER - .005" THICK (AS REQUIRED) SHIM WASHER - .015" THICK (AS REQUIRED) SHIM WASHER - .030" THICK (AS REQUIRED) NEEDLE THRUST RACE 3/4" I.D.
14339 15241 15242 15243 15667	NEEDLE THRUST BEARING 3/4" I.D. SPACER (INSTALL NEXT TO MOTOR) ⁴ NEEDLE THRUST BEARING 5/8" I.D. NEEDLE THRUST RACE .092" x 5/8" I.D. WORM GEAR SHAFT - 3/4" x 4 3/16" LONG (16102 & 16107 ONLY)
16111 ⁴ 16145 16988 ⁴	MOTOR - 12 VOLT 4 1/2" DIAMETER SPACER BRAKE SPRING (16101, 16105 & 16106 WINCH POWER UNITS ONLY)
14889 15290	MOTOR REPAIR KIT SMALL PARTS KIT (INCLUDES ITEMS MARKED *)

¹ AVAILABLE ONLY AS PART OF 15290 SMALL PARTS KIT

² 16101 POWER UNIT REPLACED BY 16106 POWER UNIT
16102 POWER UNIT REPLACED BY 16107 POWER UNIT

³ REPLACE 30E & 16100 POWER UNITS AS FOLLOWS:
16105 REPLACES 11497
16106 REPLACES 11497NS & 16101
16107 REPLACES 16102

⁴ 16111 MOTOR REPLACES 01024 E & F & 16112 MOTORS
ON ALL 30E & 16100 SERIES POWER UNITS

⁵ 16988 BRAKE SPRING REPLACES 01043 BRAKE SPRING ON
16101, 16105 & 16106 WINCH POWER UNITS ONLY



MFG., INC.
CINCINNATI, OHIO

TITLE
REPL. PARTS LIST

16100 ELECTRIC PU

DATE
6-13-07G

SUPERCEDES
12-6-04F

SECTION
C400

811016

* INCLUDED IN #15397; ACCIDENT PREVENTION SIGN KIT

BOOM ANGLE	CAPACITY LBS.
UPPER	1200
CENTER	750
LOWER	700

17466-6-5

BOOM ANGLE	CAPACITY LBS.
UPPER	1350
CENTER	875
LOWER	800

17466-6-4

BOOM ANGLE	CAPACITY LBS.
UPPER	1600
CENTER	1000
LOWER	900

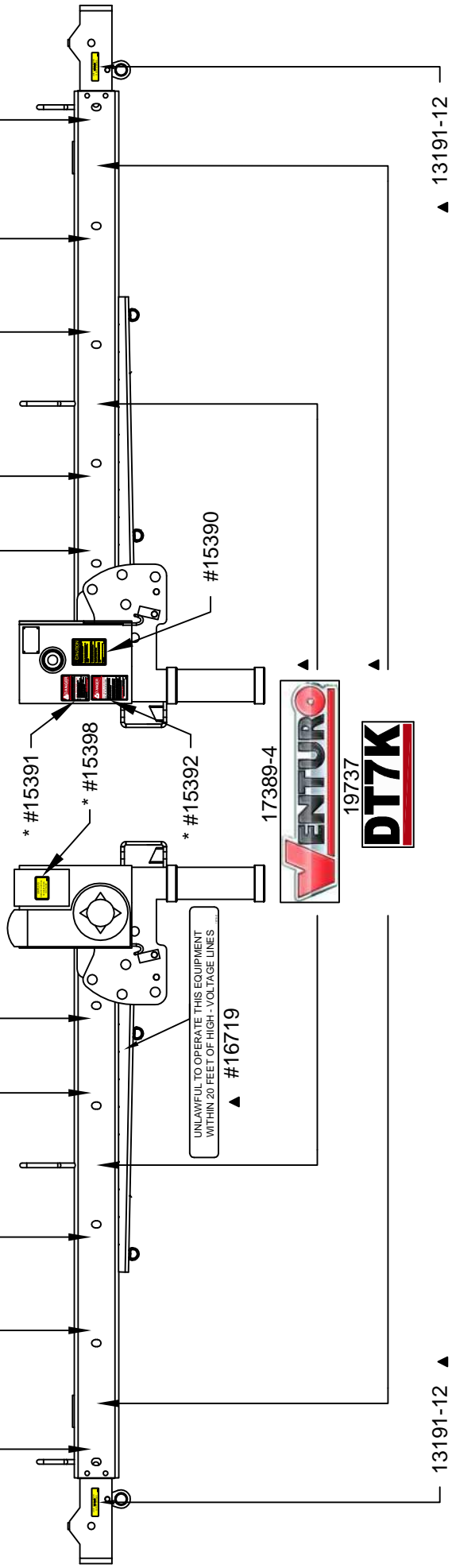
17466-6-3

BOOM ANGLE	CAPACITY LBS.
UPPER	1875
CENTER	1150
LOWER	1050

17466-6-2

BOOM ANGLE	CAPACITY LBS.
UPPER	2000
CENTER	1350
LOWER	1200

17466-6-1



13191-12 ▲

▲ 13191-12



VENCO VENTURO INDUSTRIES LLC
CINCINNATI, OHIO

TITLE
DECAL PLACEMENT

DT7K

DATE
08-11-15D
SUPERSEDES
06-19-13C

SECTION
-

19725

DT7K

19472 FIELD SERVICE LABEL KIT

ITEM	PART NUMBER	QTY	DESCRIPTION
▲ 1	-	-	-
2	17389-4	2	DECAL; VENTURO, SMALL
3	16719	1	DECAL; UNLAWFUL TO OPERATE
4	15513	1	DECAL; ON / OFF PLATE
5	17466-6-1	2	DECAL; CAPACITY 2200 / 1350 / 1200
6	17466-6-2	2	DECAL; CAPACITY, 1875 / 1150 / 1050
7	17466-6-3	2	DECAL; CAPACITY, 1600 / 1000 / 900
8	17466-6-4	2	DECAL; CAPACITY, 1350 / 875 / 800
9	17466-6-5	2	DECAL; CAPACITY, 1200 / 750 / 700
10	19737	2	DECAL; MODEL, DT7K
11	-	-	-
12	14793-2	1	DECAL; CONTROL IDENTIFICATION
13	15397	1	KIT; ACCIDENT PREVENTION SIGNS
14	19725	1	IDWG; DECAL PLACEMENT, DT7K
15	-	-	-
16	-	-	-
17	-	-	-
18	-	-	-
19	-	-	-
20	-	-	-
21	-	-	-
22	-	-	-
23	-	-	-
24	-	-	-
25	-	-	-
26	-	-	-
27	-	-	-
28	-	-	-
29	-	-	-
30	-	-	-
31	-	-	-
32	-	-	-
33	-	-	-
34	-	-	-
35	-	-	-



MANUFACTURING, INC.
CINCINNATI, OHIO

TITLE
FIELD SRVC LABEL KIT
DT7K

DATE
04-23-13C
SUPERSEDES
04-08-13B

SECTION
-
20849



VENTURO CRANES LIMITED WARRANTY POLICY

Venturo products are built to last...we guarantee them.

As a purchaser of any new Venturo product covered by warranty, you will receive 1 year of the most complete coverage available...and, at no added cost to you.

1-Year Limited Warranty Policy

This limited policy warrants new products of Venturo to be free from defects in material and workmanship for a period of one (1) year from date of original installation. OEM products or accessories purchased by Venturo as part of or offered with our product will carry the OEM manufacturer's respective warranty. Our warranty covers:

- ***Repair or replacement of product***
- ***Labor to repair or replace product***
- ***Freight to return and/or replace product***

We shall not be liable for any contingent liabilities arising out of the improper function of any products. Warranty shall become void if the product is improperly installed, modified, damaged, abused or used for application other than intended use. There is no warranty of merchantability, fitness for a particular purpose, warranty arising from course of dealing or usage of trade, or any other implied or expressed warranty, except as made specifically herein. This warranty supersedes all previous warranties, written or implied.

Warranty Claims

Venco Venturo Industries LLC will make a good faith effort for prompt correction or other adjustment with respect to any product, which proves to be defective after our inspection and within the warranty period. Before any repairs are attempted or before returning any product, your Venturo Distributor is required to obtain a warranty claim number. This number is necessary for any claim to be considered. To obtain a warranty claim number, Venturo requires the model and serial number. Only authorized Venturo Distributors can perform warranty. For the name and address of your local Venturo Distributor call the **Warranty Claim Department - 513-772-8448**.

WARNING - It is the responsibility of the installer to ensure the installation is completed according to the manufacturer's recommendations, ensure the ultimate user understands how to operate product in a safe manner, and understands the need for regular service and maintenance by an authorized Venturo Distributor. No modifications or alterations may be made to any Venturo product without the expressed written consent of Venco Venturo Industries LLC. Installation of any Venturo product must be done by an authorized Venturo Distributor, to the standards of the industry; including maintenance, service and affixing of all instruction, safety and warning decals. Users should be instructed as to the safe operation at time of delivery. Maintenance, service, operation and safety warning decals are available on request from Venco Venturo Industries LLC.

VENCO VENTURO INDUSTRIES LLC
12110 BEST PLACE | CINCINNATI, OHIO 45241
P: 800-226-2238 | F: 513-326-5427
www.venturo.com