



INST-25700

OWNER'S MANUAL

SMALL STABILIZERS

PARTS & INSTALLATION MANUAL

SMALL STABILIZERS

Included in this manual:

18500-CD, 23960-2, 13500, 24971-FP, 23962-2, 11822-2

VENCO VENTURO INDUSTRIES LLC
12110 BEST PLACE | CINCINNATI, OHIO 45241
800-226-2238



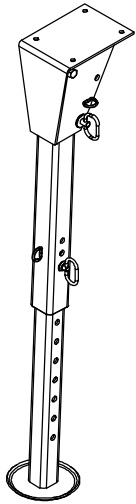
This manual also available online at www.venturo.com.

SMALL STABILIZERS

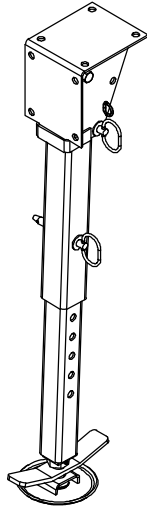
INST-25700 - 9/20/2024 (Rev: A1)

25763	MODELS & APPLICATIONS
25480	INSTALLATION GUIDELINES
25485	RECOMMENDED DEPARTURE ANGLE
25702	18500-CD OVERALL DIMENSIONS
25703	18500-CD RECOMMENDED MOUNTING
25704	18500-CD REPLACEMENT PARTS
25706	24971-FP OVERALL DIMENSIONS
25707	24971-FP RECOMMENDED MOUNTING
25708	24971-FP REPLACEMENT PARTS
25710	23962-2 OVERALL DIMENSIONS
25711	23962-2 REPLACEMENT PARTS
25713	13500 OVERALL DIMENSIONS
25714	13500 RECOMMENDED MOUNTING
25715	13500 REPLACEMENT PARTS
25717	23960-2 OVERALL DIMENSIONS
25718	11822-2 OVERALL DIMENSIONS
25719	23960-2 & 11822-2 RECOMMENDED MOUNTING
25720	23960-2 REPLACEMENT PARTS
25721	11822-2 REPLACEMENT PARTS
12-00073_VNT1	WARRANTY PAGE

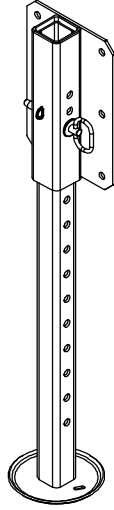
SMALL STABILIZER MODELS & APPLICATIONS



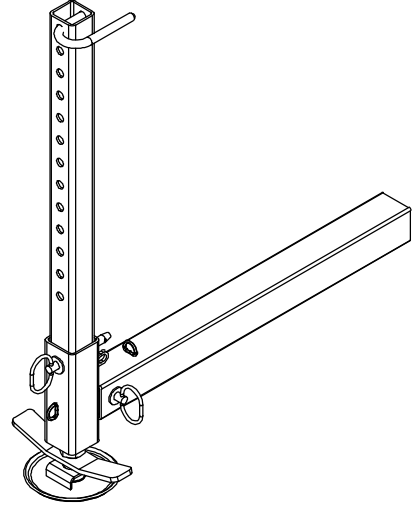
11822-2



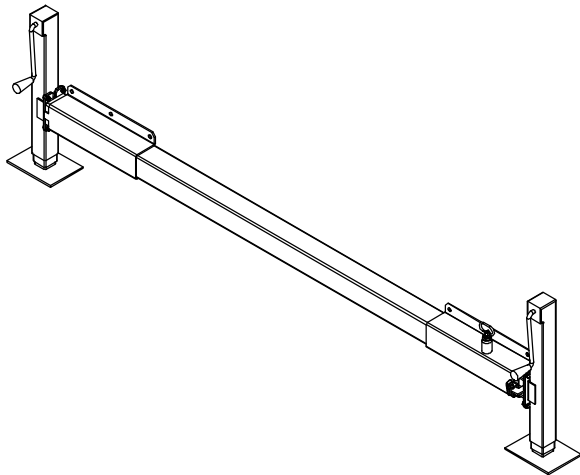
23960-2



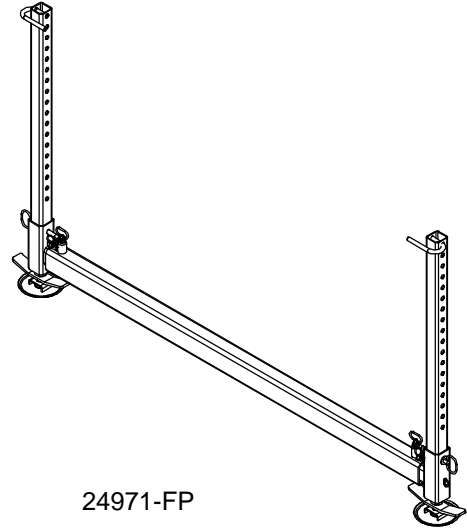
13500



23962-2



18500-CD



24971-FP

PART NO.	CRANE MODELS
13500	CE6K, CT2000 Series, CT310KX(P), DT7K, ET6-12KX(P)
11822-2	CE6K, CT2000 Series, CT310KX(P), DT7K, ET6-12KX(P)
18500-CD	CT310KX, DT7K, ET6-12KX(P)
23960-2	ET16-36KX(P), HT25-55KX-VLC
23962-2	ET16-36KX(P), HT25-55KX-VLC
24971-FP	ET36KX(P), HT25-55KX-VLC



VENCO VENTURO INDUSTRIES LLC
CINCINNATI, OHIO

TITLE
MODELS & APPLICATIONS

DATE
09-20-24

-

SMALL STABILIZERS

SUPERSEDES

-

25763

STABILIZER INSTALLATION GUIDELINES

Read instructions completely prior to starting installation. If this unit is to be installed on a Venturo crane body, continue to the stabilizer assembly section of this manual.

Prior to mounting the stabilizer crosstube, orient the stabilizer so the longer pullout is on the crane side of the truck.

REAR MOUNTED

Crosstube should be centered at the rear of the truck and tied into the truck frame, body longills, and crane support. Installer is responsible for proper mounting brackets and hardware that will be needed during this process. If unit is to be mounted on a service body, do not attach crosstube to body sheet metal unless otherwise specified. Allow clearance between crosstube and body for the stabilizer legs to be fully retracted. Consult chassis up-fitter guide prior to installation for proper welding and bolting procedures to chassis.

See the 'RECOMMENDED MOUNTING TO TRUCK FRAME' page

Leg installation (refer to assembly section of manual) legs are adjustable to maintain proper ground penetration of 4" to 6". The stabilizer is designed to level the truck and not lift the chassis off of the ground. They are designed to work in conjunction with the chassis suspension to stabilize the unit with the bulk of the load being supported by the chassis suspension and tires. Tires must be set at the proper pressure according to the chassis manufacture, stabilizers fully extended, and legs deployed on firm, level ground prior to crane use.

IMPORTANT - When legs are fully retracted in the stowed position, a 15° degree departure angle between the bottom of the rear tire and the lowest point of the stabilizer is recommended.

See the 'DEPARTURE ANGLE' page

For hydraulic stabilizers, the control valve and selector valve are supplied in kit. It is the installer's responsibility to supply necessary hoses and fittings between these valves and stabilizer. Refer to proper hydraulic schematic for your particular stabilizer model.

IMPORTANT - The selector valve is designed to separate the crane and stabilizer hydraulic circuits. This will not allow stabilizer use while in crane mode.

FRONT MOUNTED

Front mounted crosstube will be located on top of the chassis frame and welded to body longills. Additional shear plates (installer supplied) to be welded to crosstube and bolted to chassis frame. Crosstube to be spaced away from body for leg clearance when fully retracted. See assembly section of manual for pullout and leg installation detail.



VENCO VENTURO INDUSTRIES LLC
CINCINNATI, OHIO

INSTALLATION GUIDELINES

DATE
12-08-23A

SECTION
C200

STABILIZERS

SUPERSEDES
01-17-17

25480

RECOMMENDED DEPARTURE ANGLE



VENCO VENTURO INDUSTRIES LLC
CINCINNATI, OHIO

RECOMMENDED DEPARTURE ANGLE

REAR MOUNTED OUTRIGGERS

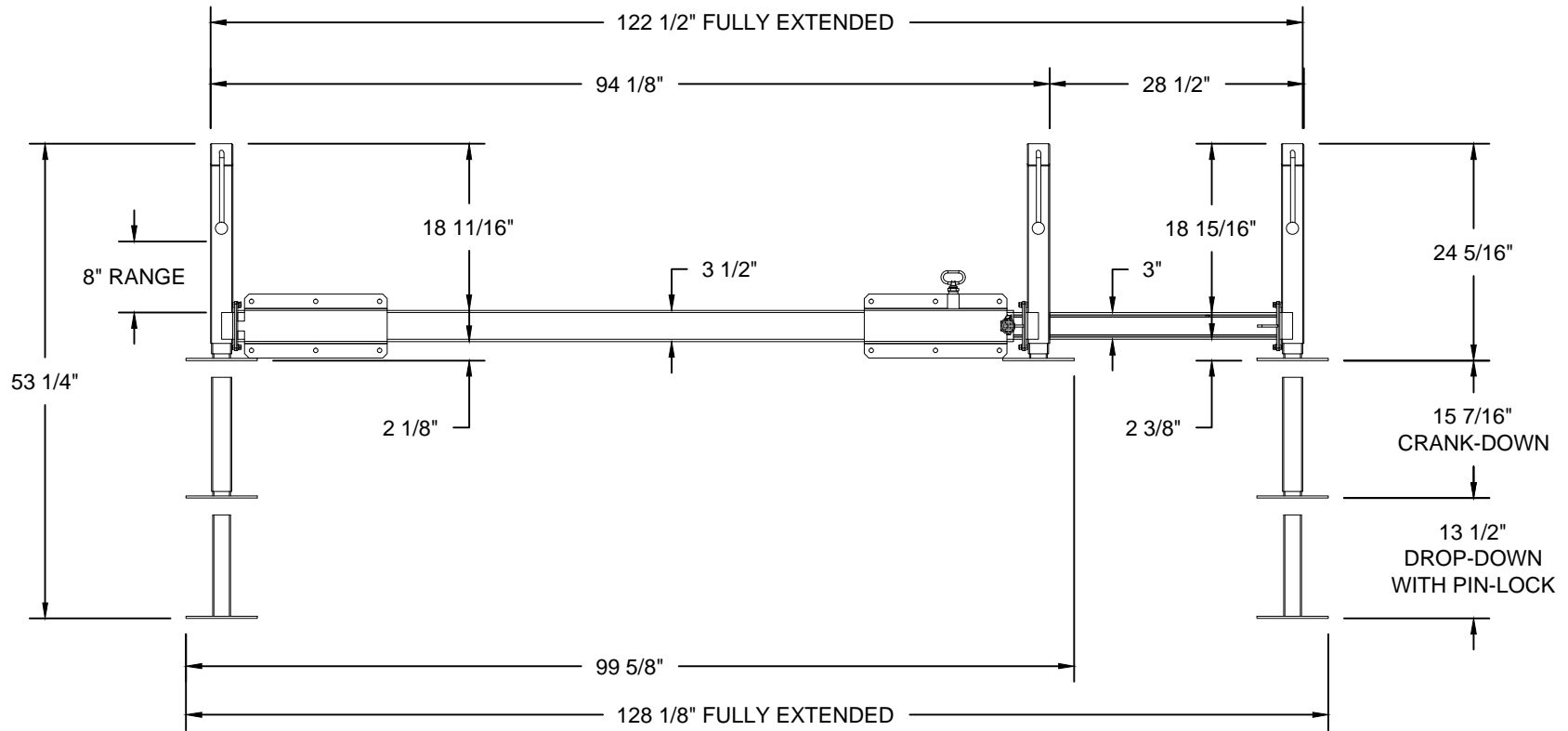
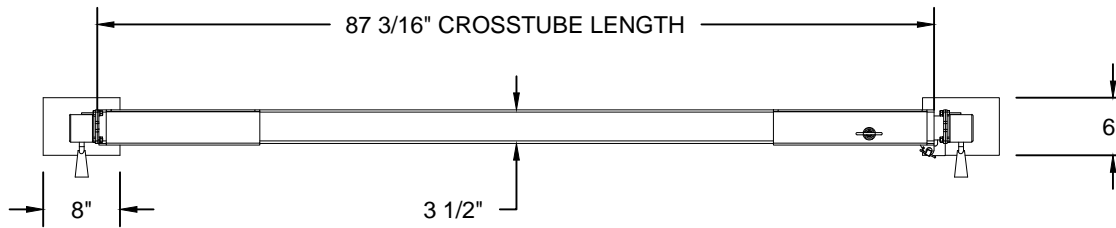
DATE
08-25-22A

SUPERSEDES
01-18-17

PAGE

-

25485



HIGHEST LEG MOUNT SHOWN

8" RANGE ADJUSTABLE
FOR LEG MOUNTING



VENCO VENTURO INDUSTRIES LLC
CINCINNATI, OHIO

OVERALL DIMENSIONS

18500-CD OUTRIGGER

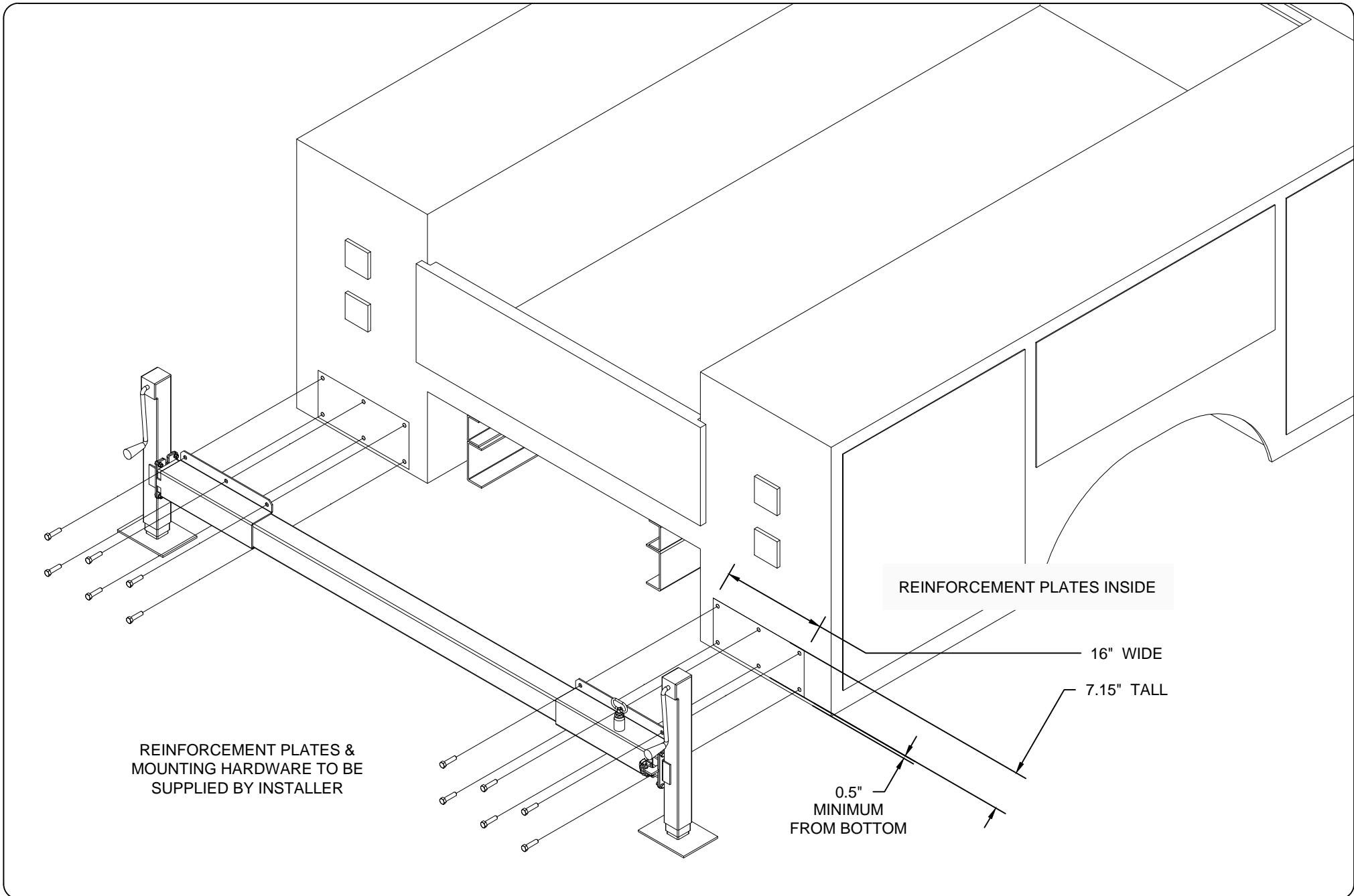
DATE
02-09-17

SUPERSEDES
-

PAGE

04

25702




REINFORCEMENT PLATES &
MOUNTING HARDWARE TO BE
SUPPLIED BY INSTALLER

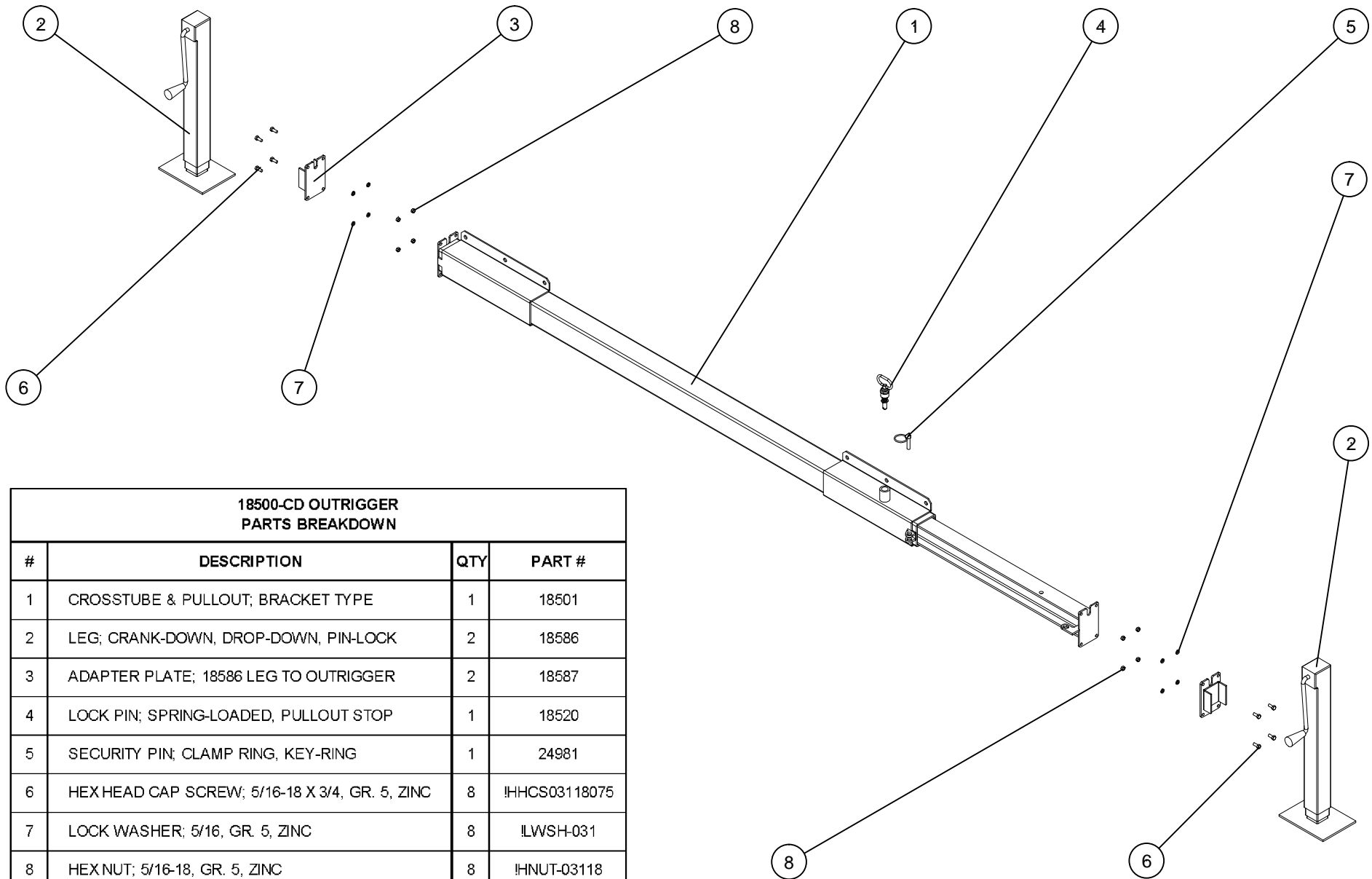
REINFORCEMENT PLATES INSIDE

16" WIDE

7.15" TALL

0.5"
MINIMUM
FROM BOTTOM

 VENCO VENTURO INDUSTRIES LLC CINCINNATI, OHIO	RECOMMENDED MOUNTING TO TRUCK BODY	DATE 02-09-17	PAGE 05
	18500-CD OUTRIGGER	SUPERSEDES -	25703



**18500-CD OUTRIGGER
PARTS BREAKDOWN**

#	DESCRIPTION	QTY	PART #
1	CROSSTUBE & PULLOUT; BRACKET TYPE	1	18501
2	LEG; CRANK-DOWN, DROP-DOWN, PIN-LOCK	2	18586
3	ADAPTER PLATE; 18586 LEG TO OUTRIGGER	2	18587
4	LOCK PIN; SPRING-LOADED, PULLOUT STOP	1	18520
5	SECURITY PIN; CLAMP RING, KEY-RING	1	24981
6	HEX HEAD CAP SCREW; 5/16-18 X 3/4, GR. 5, ZINC	8	IHHCS03118075
7	LOCK WASHER; 5/16, GR. 5, ZINC	8	ILWSH-031
8	HEX NUT; 5/16-18, GR. 5, ZINC	8	IHNUT-03118



VENCO VENTURO INDUSTRIES LLC
CINCINNATI, OHIO

PARTS BREAKDOWN

18500-CD OUTRIGGER

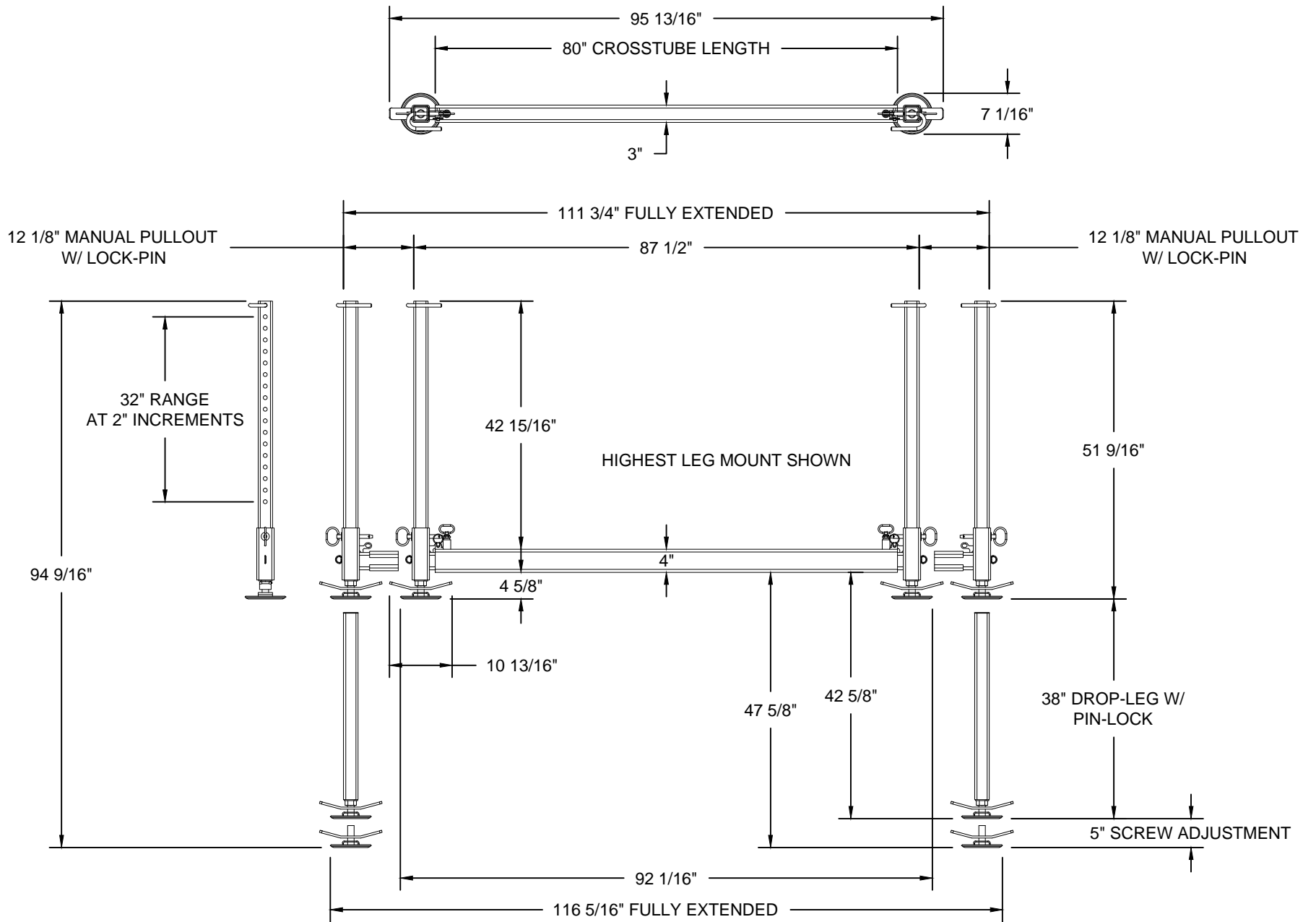
DATE
02-09-17

SUPERSEDES
-

PAGE

06

25704



VENCO VENTURO INDUSTRIES LLC
CINCINNATI, OHIO

OVERALL DIMENSIONS

24971-FP OUTRIGGER

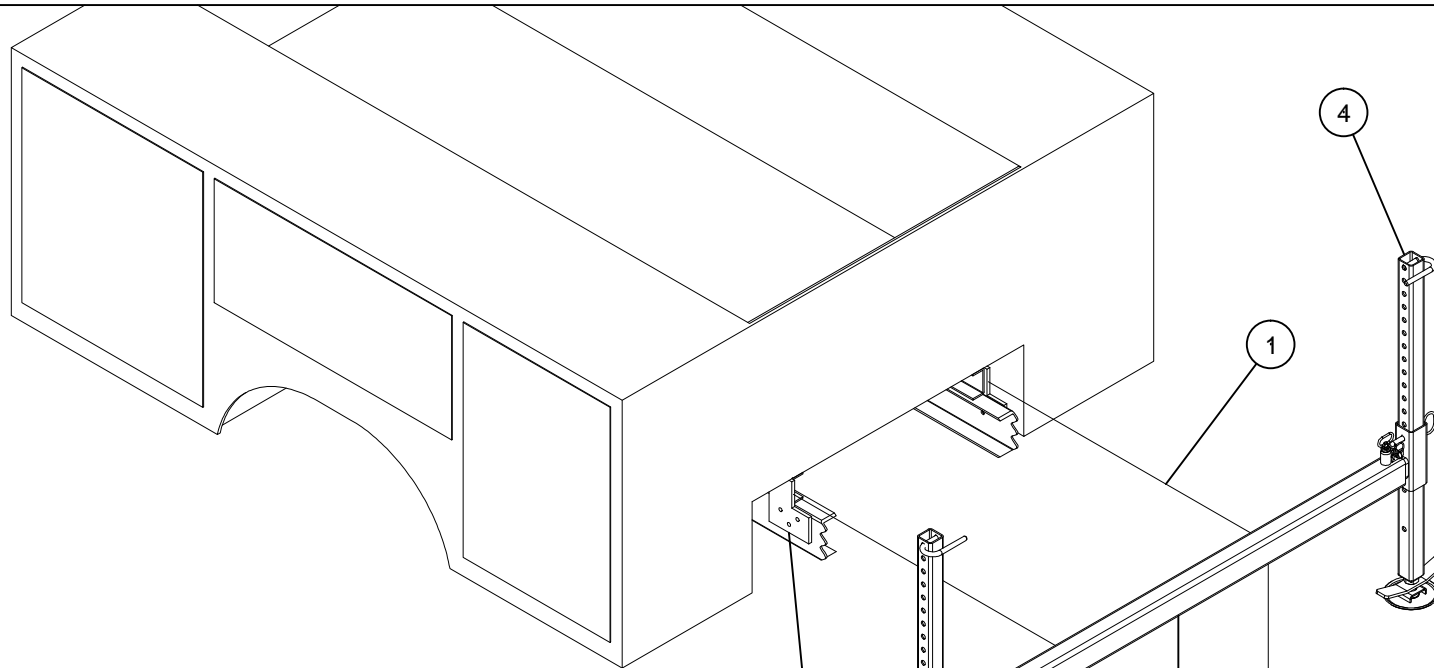
DATE
02-09-17

SUPERSEDES
-

PAGE

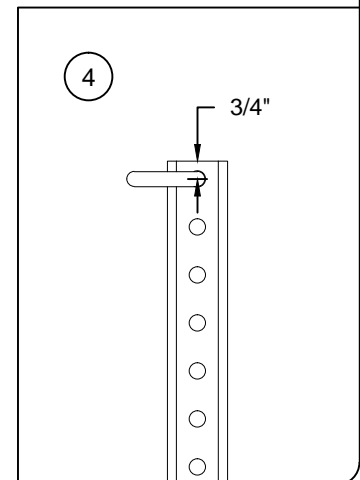
08

25706



1. MAINTAIN 1/2"+ BETWEEN FRONT OF BODY & OUTRIGGER CROSSTUBE - FOR PULLOUT CLEARANCE.
2. SUGGESTED MOUNTING BRACKETS. MUST TIE BODY STRUCTURE, TRUCK FRAME, & OUTRIGGER CROSSTUBE TOGETHER. INSTALLER TO SUPPLY 1/2" PLATES WELDED TO BODY LONG SILLS / CROSSTUBE & FASTENED TO TRUCK FRAME. SEE CHASSIS UP-FITTER GUIDE FOR PROPER DRILLING & FASTENING METHODS FOR TRUCK FRAME.
3. BOTTOM OF OUTRIGGER CROSSTUBE SHOULD SIT ON TOP OF TRUCK FRAME.
4. LEGS CAN BE CUT DOWN TO HEIGHT PREFERENCE, WHILE MAINTING 3/4" FROM CENTER OF HANDLE HOLE TO TOP OF LEG. HANDLE IS SHIPPED LOOSE & CAN BE ORIENTED AT PREFERRED POSITION.

CAUTION: ENSURE LEG CAN BE FULLY DEPLOYED DOWN WITHOUT HANDLE INTERFERENCE!



VENCO VENTURO INDUSTRIES LLC
CINCINNATI, OHIO

RECOMMENDED MOUNTING TO TRUCK FRAME

24971-FP OUTRIGGER

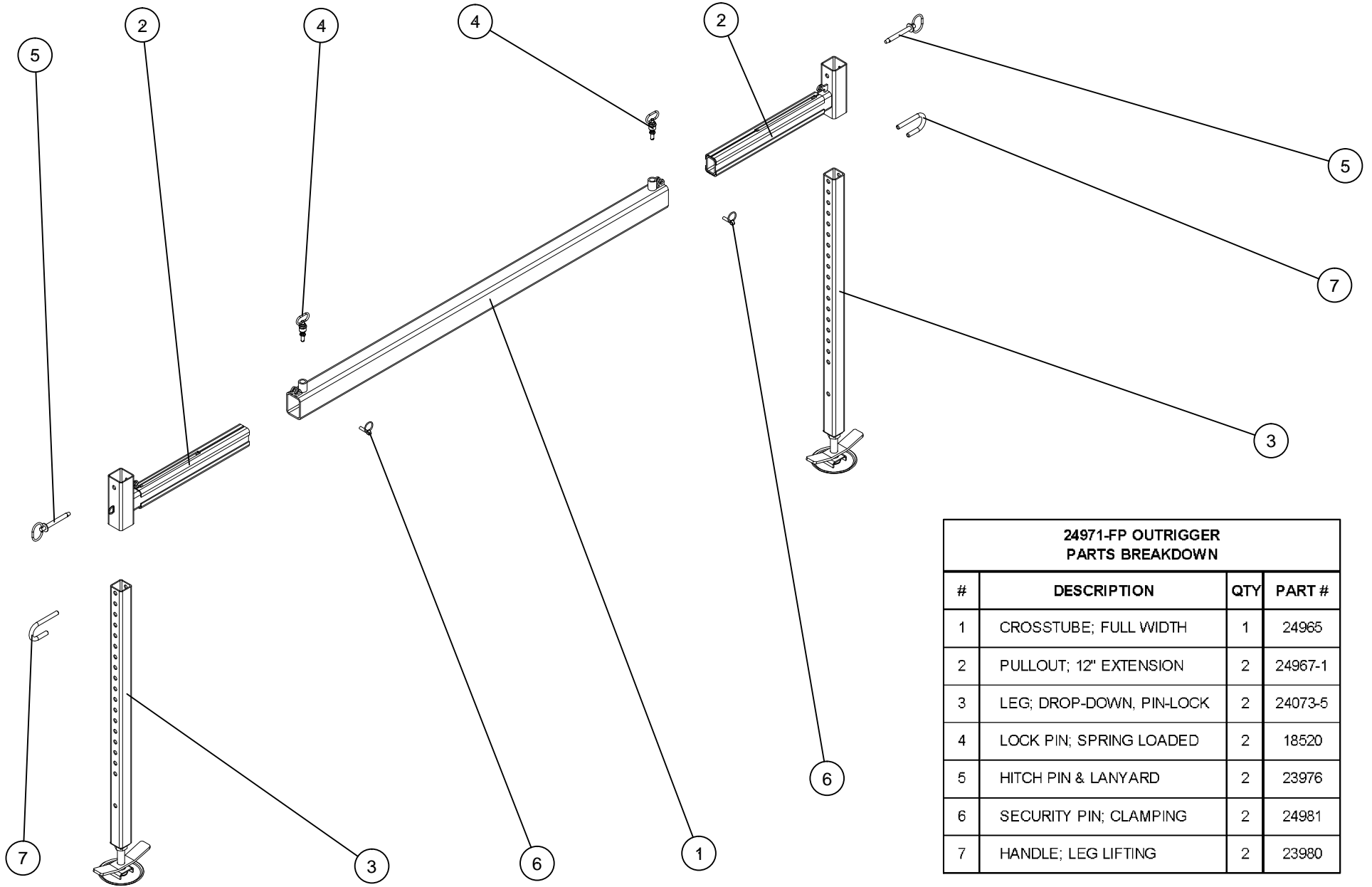
DATE
02-09-17

SUPERSEDES
-

PAGE

09

25707



24971-FP OUTRIGGER PARTS BREAKDOWN			
#	DESCRIPTION	QTY	PART #
1	CROSTUBE; FULL WIDTH	1	24965
2	PULLOUT; 12" EXTENSION	2	24967-1
3	LEG; DROP-DOWN, PIN-LOCK	2	24073-5
4	LOCK PIN; SPRING LOADED	2	18520
5	HITCH PIN & LANYARD	2	23976
6	SECURITY PIN; CLAMPING	2	24981
7	HANDLE; LEG LIFTING	2	23980



VENCO VENTURO INDUSTRIES LLC
CINCINNATI, OHIO

PARTS BREAKDOWN

24971-FP OUTRIGGER

DATE
02-09-17

SUPERSEDES
-

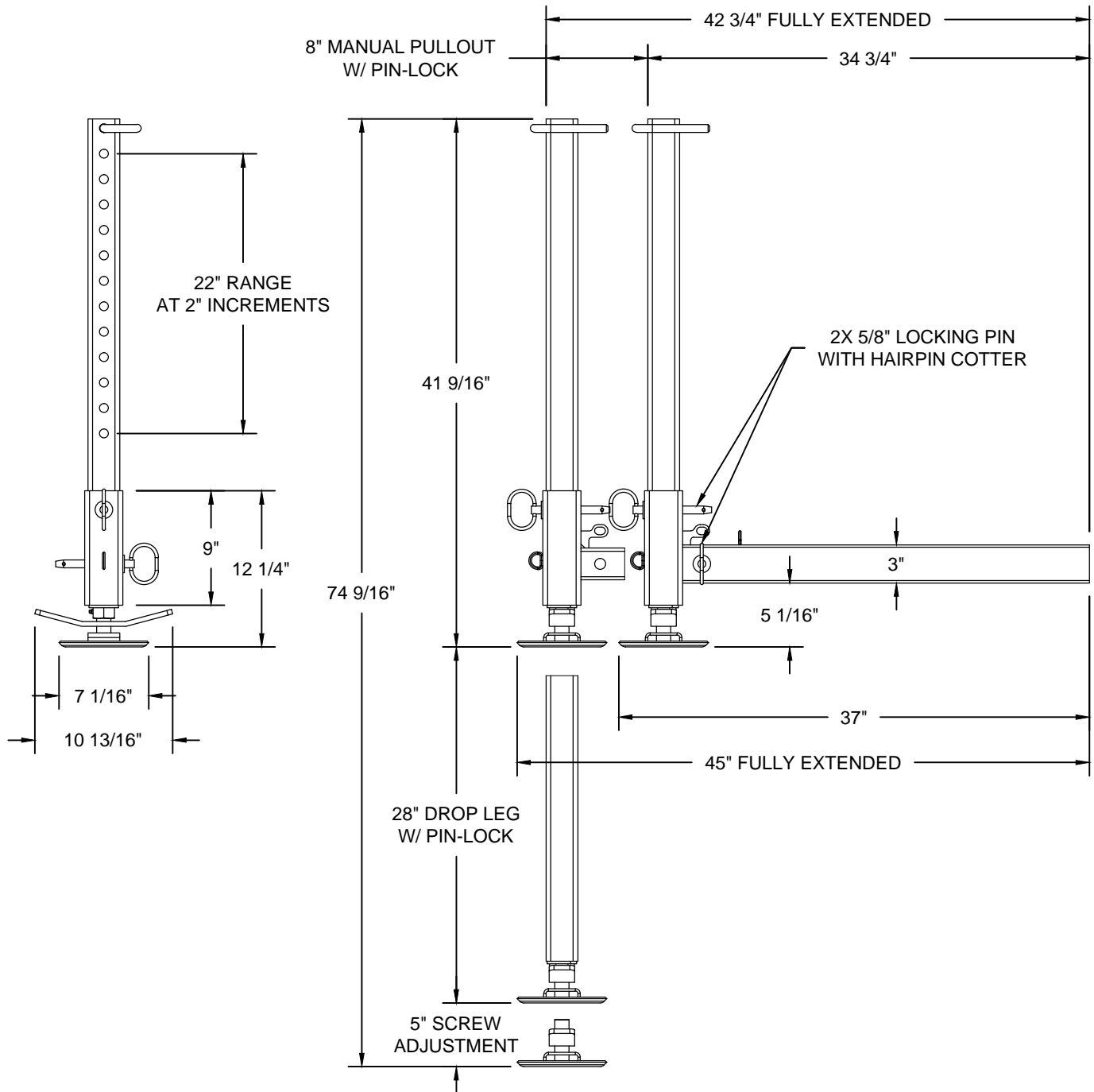
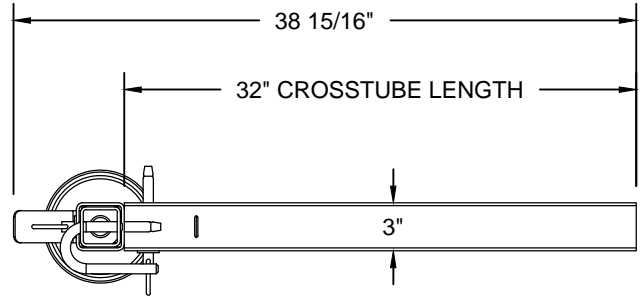
PAGE

10

25708

WARNING

THESE PRODUCTS ARE NOT FOR USE WITH PASSENGER LIFTS. THEY ARE NOT DESIGNED OR INTENDED TO BE USED WITH DEVICES THAT LIFT, SUPPORT OR OTHERWISE TRANSPORT PERSONNEL.



VENCO VENTURO INDUSTRIES LLC
CINCINNATI, OHIO

OVERALL DIMENSIONS

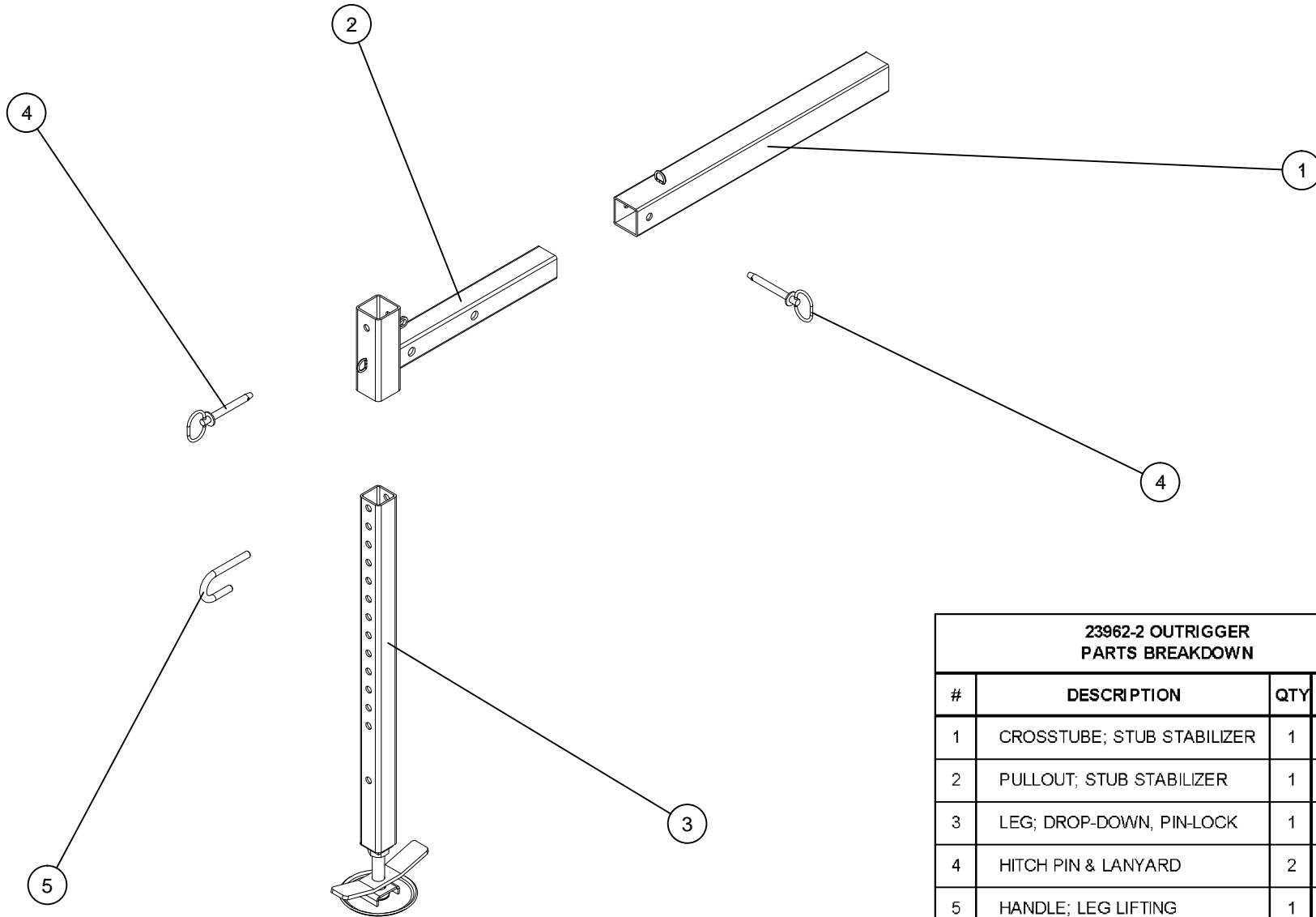
23962-2 OUTRIGGER

DATE
02-09-17

SUPERSEDES
-

PAGE
12

25710



23962-2 OUTRIGGER PARTS BREAKDOWN			
#	DESCRIPTION	QTY	PART #
1	CROSSTUBE; STUB STABILIZER	1	25962-4
2	PULLOUT; STUB STABILIZER	1	23979-2
3	LEG; DROP-DOWN, PIN-LOCK	1	24073-4
4	HITCH PIN & LANYARD	2	23976
5	HANDLE; LEG LIFTING	1	23980



VENCO VENTURO INDUSTRIES LLC
CINCINNATI, OHIO

PARTS BREAKDOWN

23962-2 OUTRIGGER

DATE
02-10-17

SUPERSEDES
-

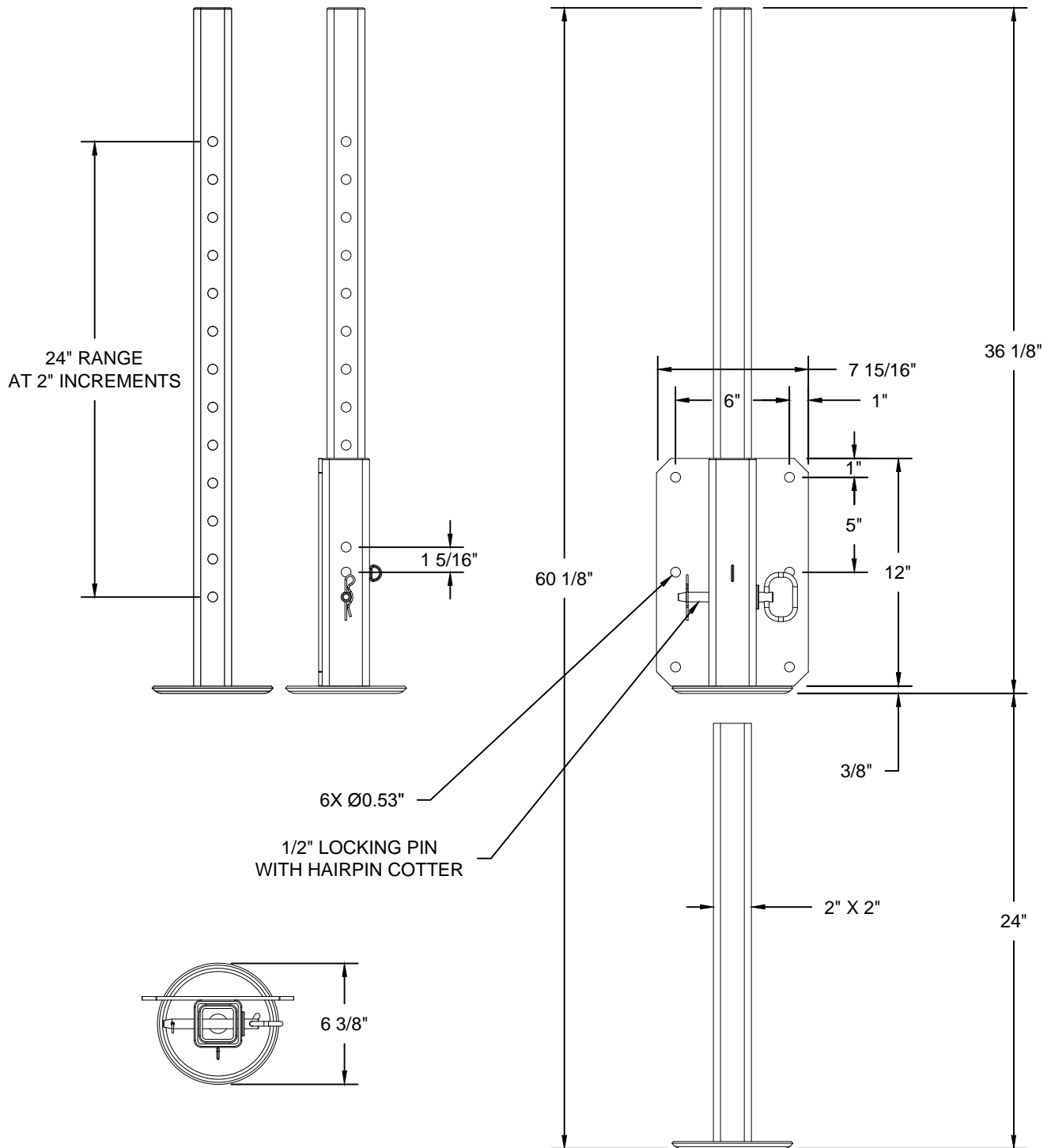
PAGE

13

25711

WARNING

THESE PRODUCTS ARE NOT FOR USE WITH PASSENGER LIFTS. THEY ARE NOT DESIGNED OR INTENDED TO BE USED WITH DEVICES THAT LIFT, SUPPORT OR OTHERWISE TRANSPORT PERSONNEL.



VENCO VENTURO INDUSTRIES LLC
CINCINNATI, OHIO

OVERALL DIMENSIONS

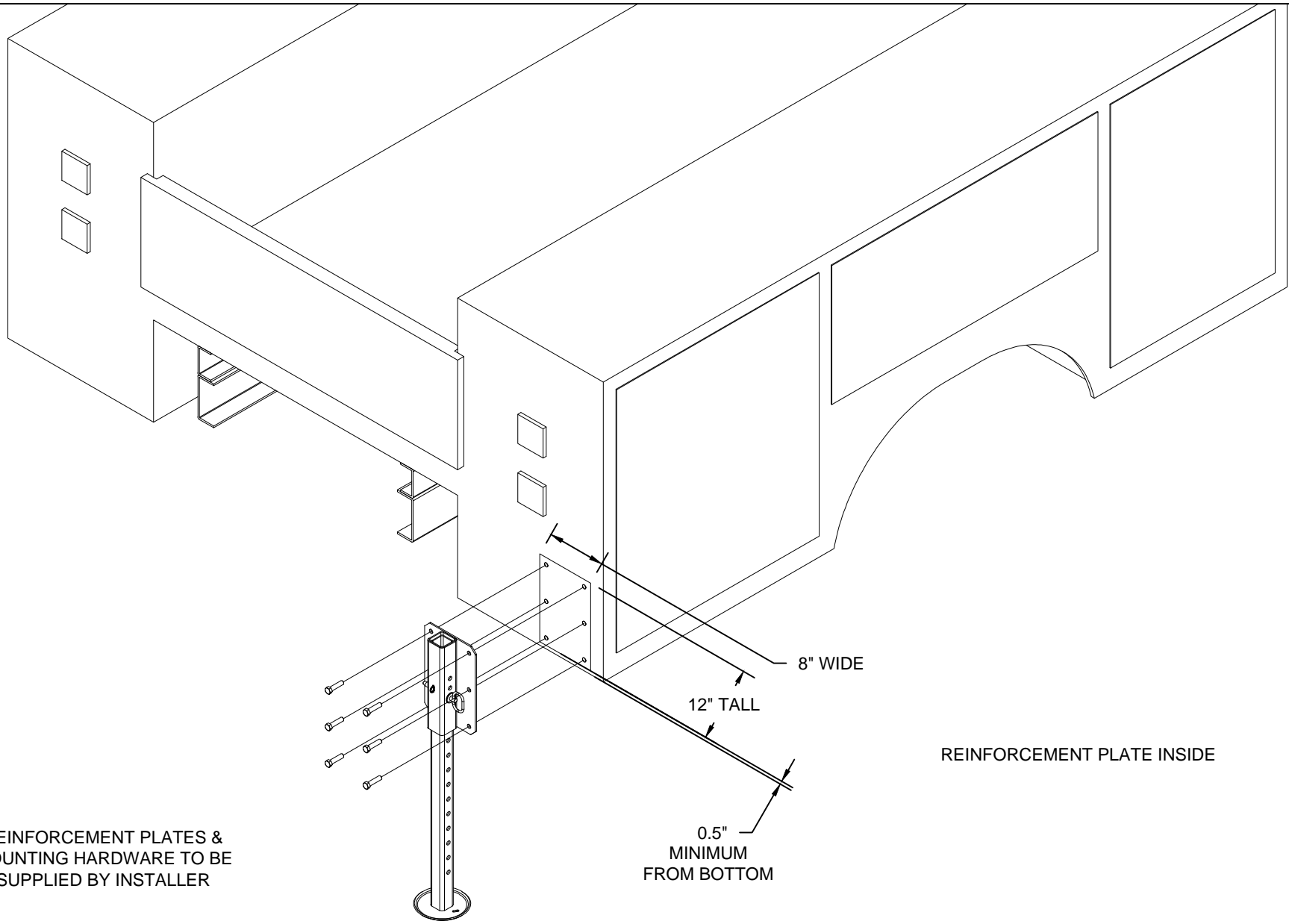
13500 DROP LEG

DATE
02-10-17

SUPERSEDES
-

PAGE
15

25713



VENCO VENTURO INDUSTRIES LLC
CINCINNATI, OHIO

RECOMMENDED MOUNTING TO TRUCK BODY

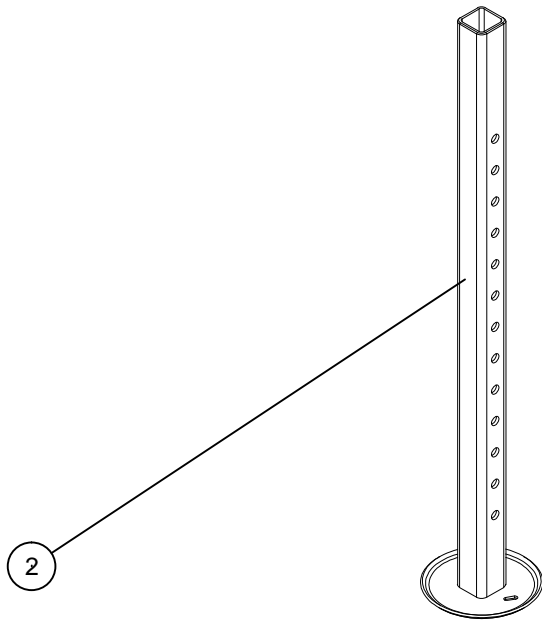
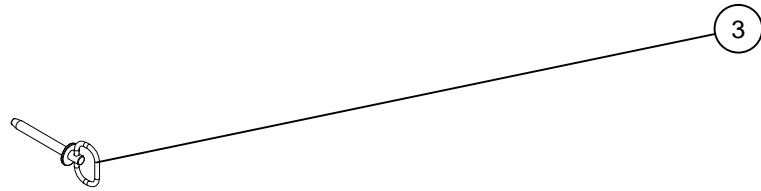
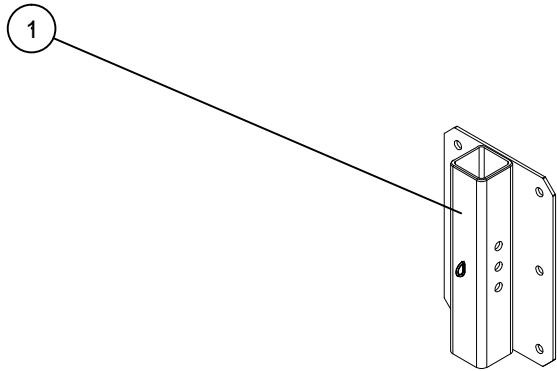
13500 DROP LEG

DATE
02-10-17

SUPERSEDES
-

PAGE
16

25714



13500 DROP LEG PARTS BREAKDOWN			
#	DESCRIPTION	QTY	PART #
1	LEG HOUSING; BRACKET TYPE	1	13500-1
2	LEG; DROP-DOWN, PIN-LOCK	1	13500-2
3	HITCH PIN & LANYARD	1	13700



VENCO VENTURO INDUSTRIES LLC
CINCINNATI, OHIO

PARTS BREAKDOWN

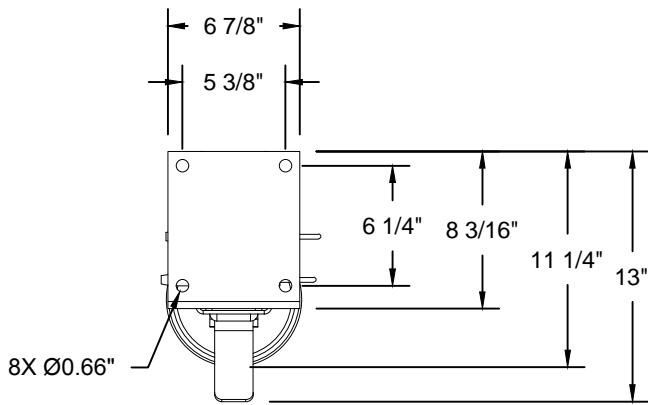
13500 DROP LEG

DATE
02-10-17

SUPERSEDES
-

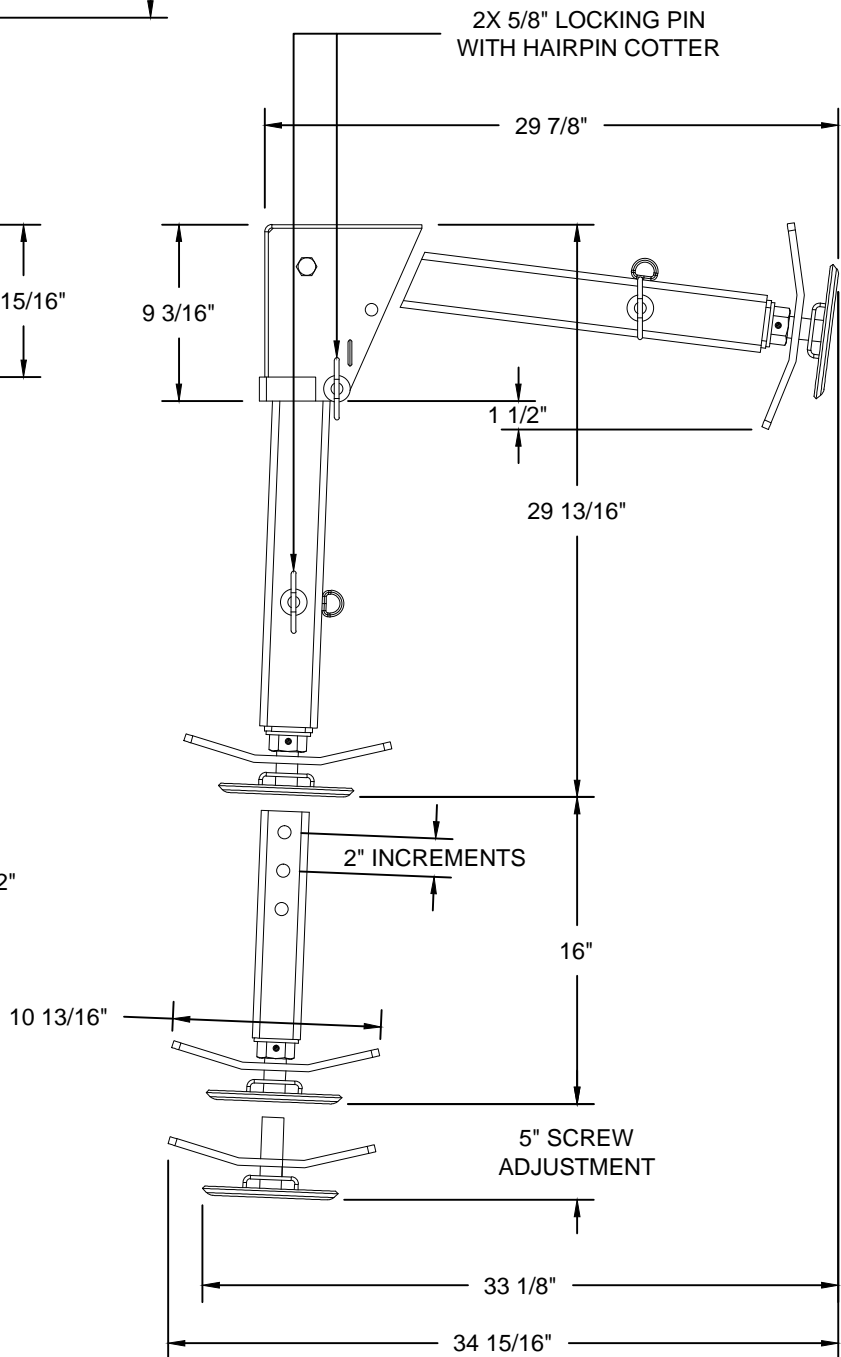
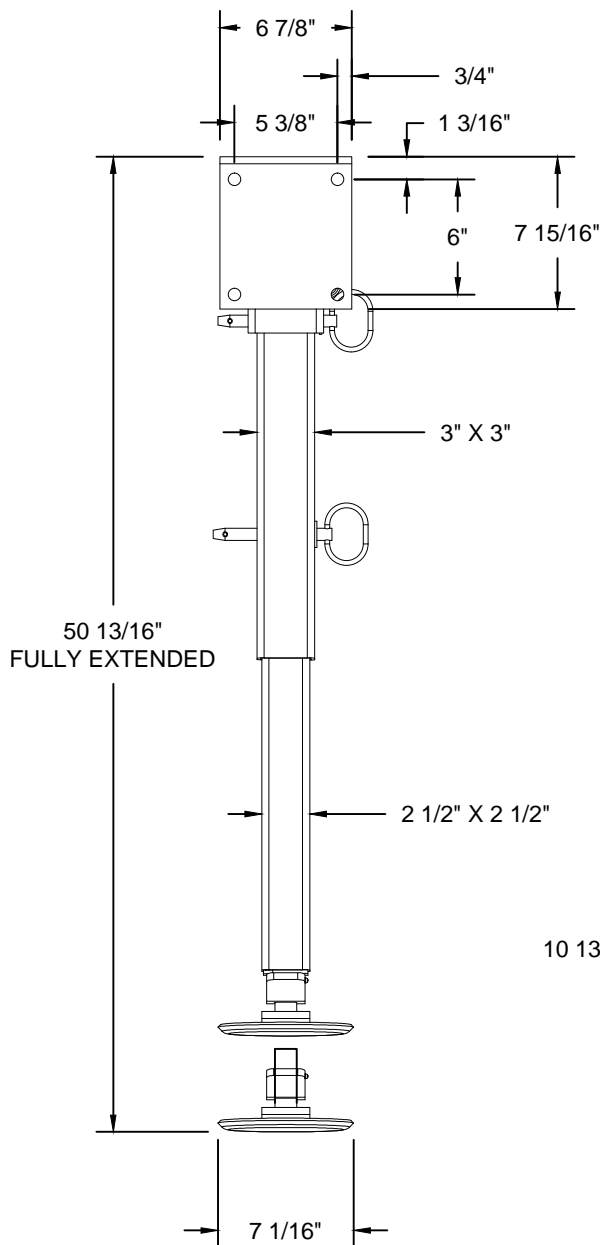
PAGE
17

25715



WARNING

THESE PRODUCTS ARE NOT FOR USE WITH PASSENGER LIFTS. THEY ARE NOT DESIGNED OR INTENDED TO BE USED WITH DEVICES THAT LIFT, SUPPORT OR OTHERWISE TRANSPORT PERSONNEL.



VENCO VENTURO INDUSTRIES LLC
CINCINNATI, OHIO

OVERALL DIMENSIONS

23960-2 FOLDAWAY LEG

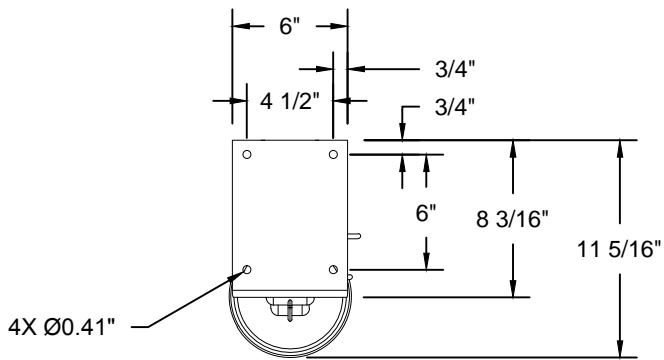
DATE
02-10-17

SUPERSEDES
-

PAGE

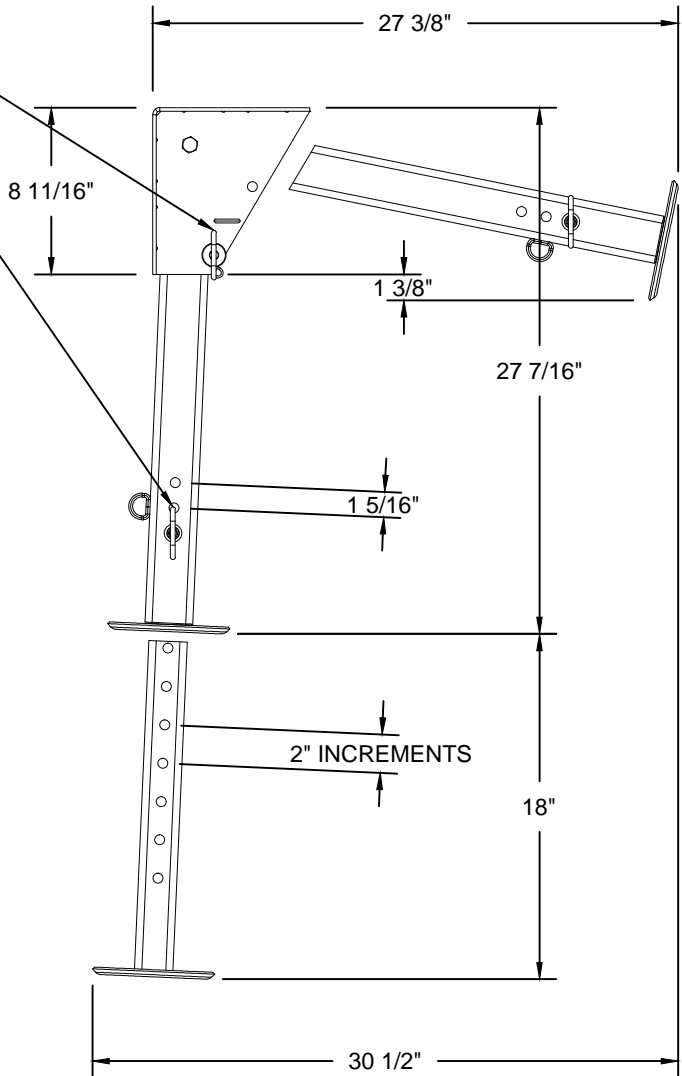
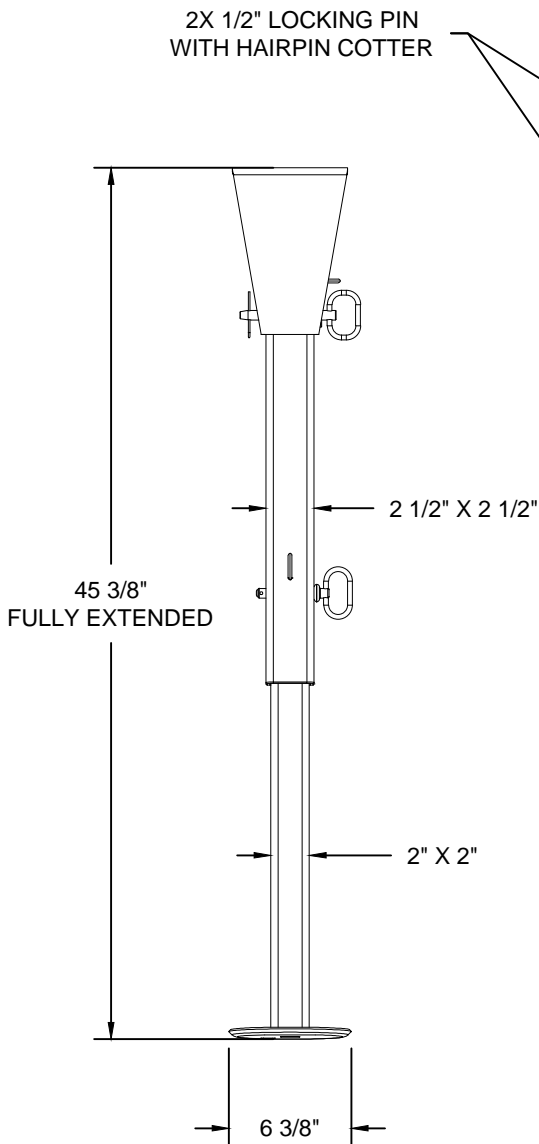
19

25717



WARNING

THESE PRODUCTS ARE NOT FOR USE WITH PASSENGER LIFTS. THEY ARE NOT DESIGNED OR INTENDED TO BE USED WITH DEVICES THAT LIFT, SUPPORT OR OTHERWISE TRANSPORT PERSONNEL.



VENCO VENTURO INDUSTRIES LLC
CINCINNATI, OHIO

OVERALL DIMENSIONS

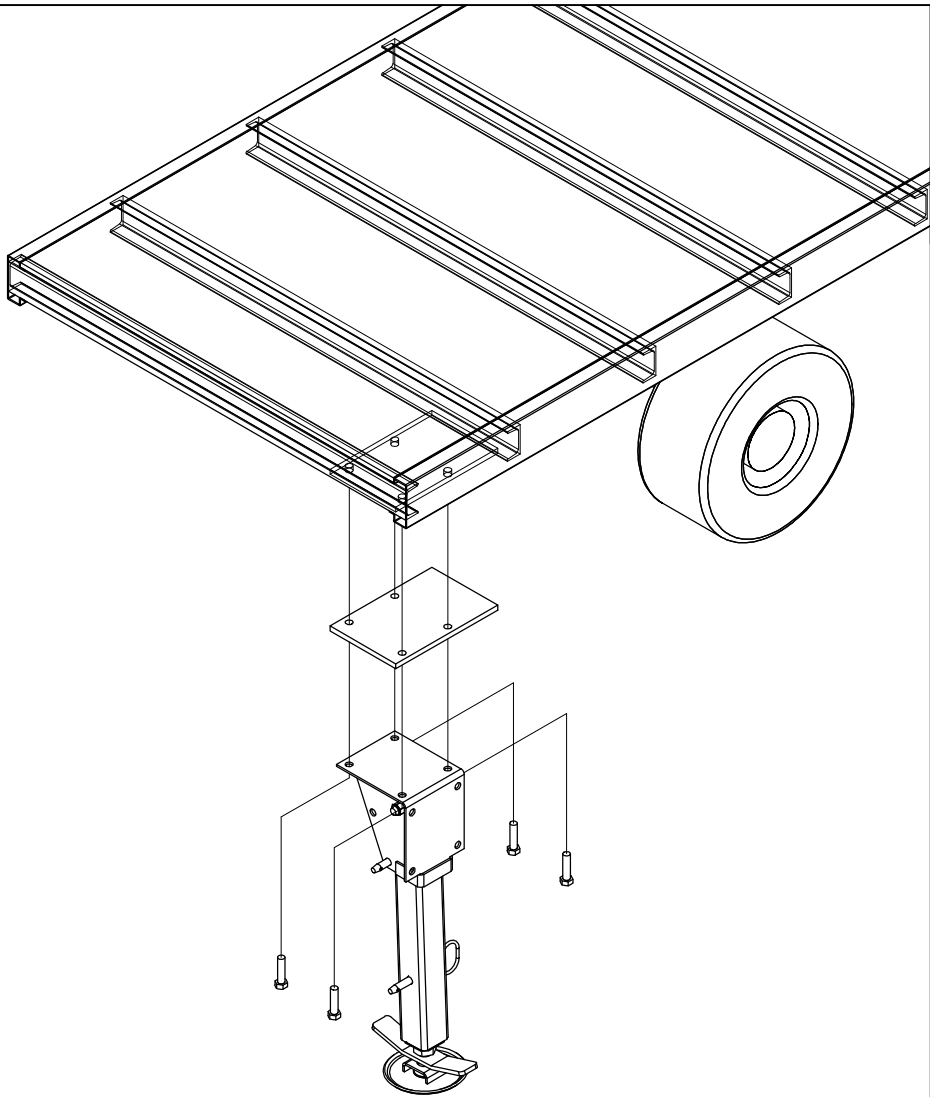
11822-2 FOLDAWAY LEG

DATE
02-10-17

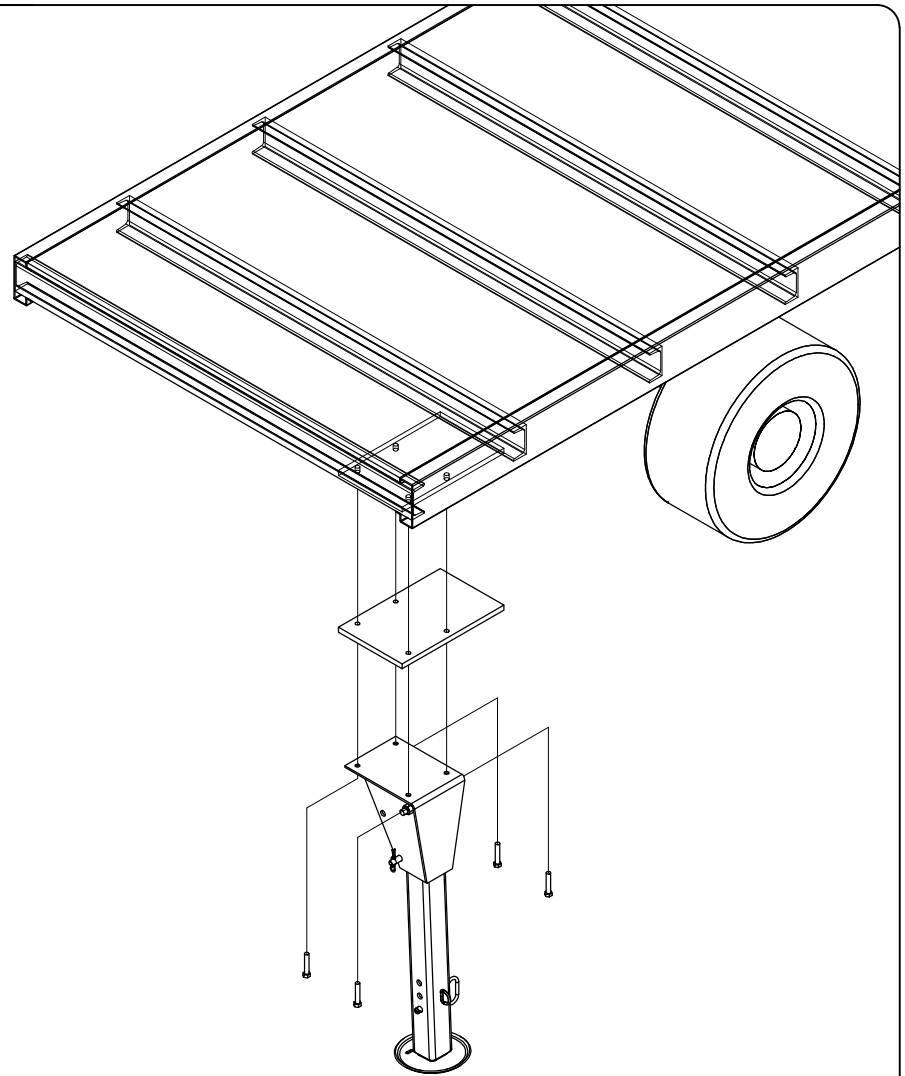
SUPERSEDES
-

PAGE
20

25718



23960-2



11822-2



VENCO VENTURO INDUSTRIES LLC
CINCINNATI, OHIO

RECOMMENDED MOUNTING

FOLDAWAY LEGS, 23960-2 & 11822-2

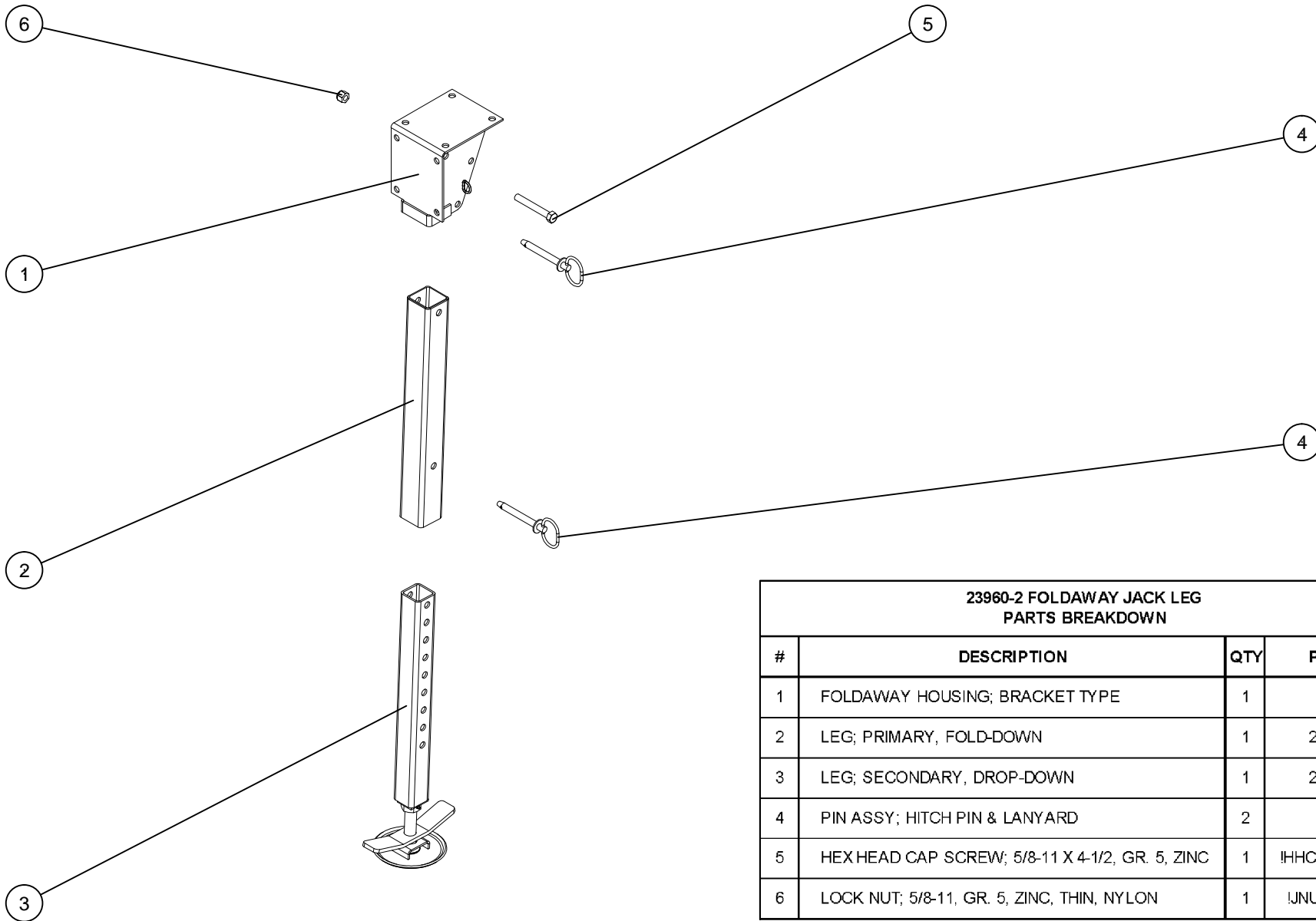
DATE
02-10-17

SUPERSEDES
-

PAGE

21

25719



23960-2 FOLDAWAY JACK LEG PARTS BREAKDOWN			
#	DESCRIPTION	QTY	PART #
1	FOLDAWAY HOUSING; BRACKET TYPE	1	14130
2	LEG; PRIMARY, FOLD-DOWN	1	23964-2
3	LEG; SECONDARY, DROP-DOWN	1	24073-2
4	PIN ASSY; HITCH PIN & LANYARD	2	23976
5	HEX HEAD CAP SCREW; 5/8-11 X 4-1/2, GR. 5, ZINC	1	IHHCS06311450
6	LOCK NUT; 5/8-11, GR. 5, ZINC, THIN, NYLON	1	IJNUT-06311N



VENCO VENTURO INDUSTRIES LLC
CINCINNATI, OHIO

PARTS BREAKDOWN

23960-2 FOLDAWAY LEG

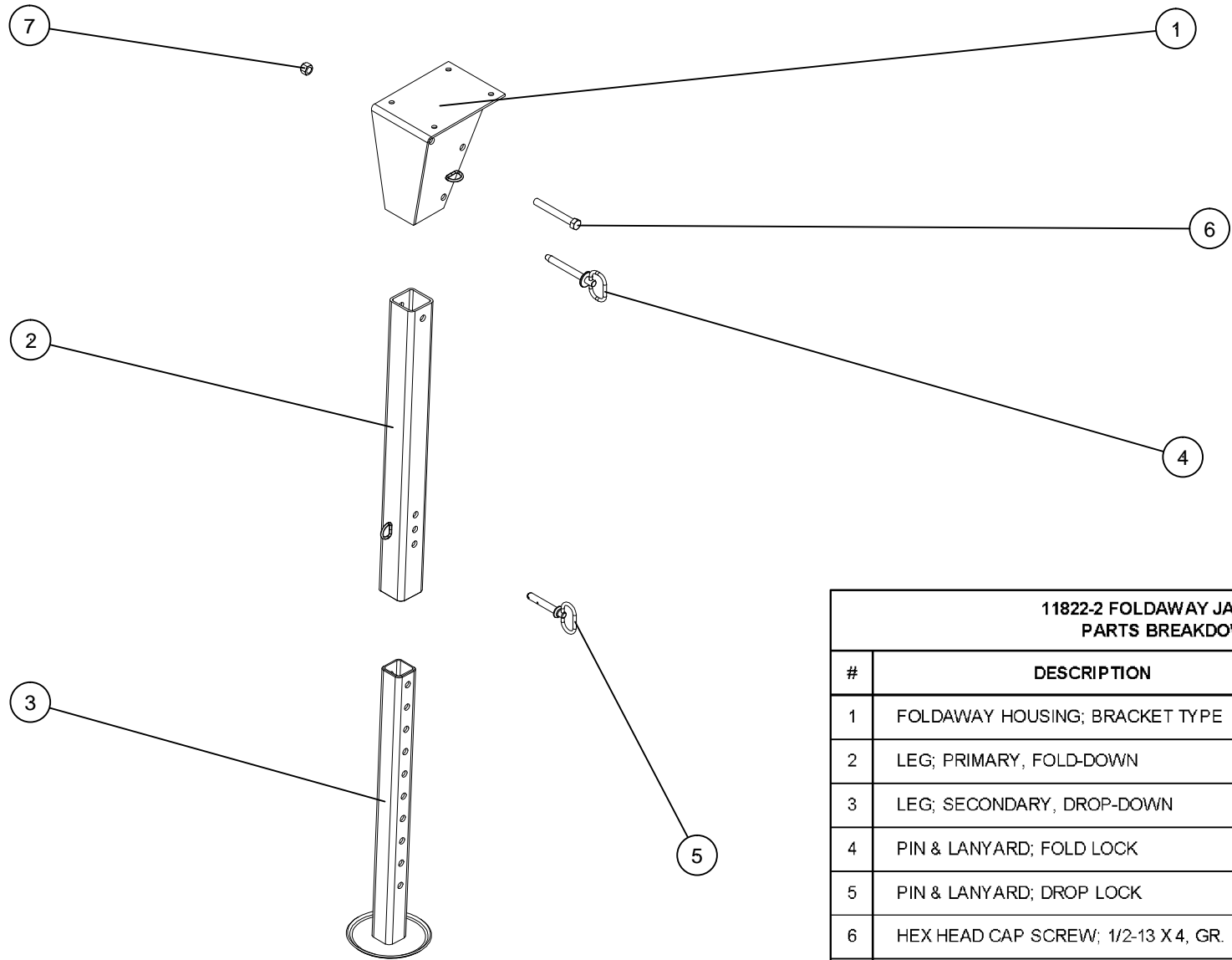
DATE
02-10-17

SUPERSEDES
-

PAGE

22

25720



11822-2 FOLDAWAY JACK LEG PARTS BREAKDOWN			
#	DESCRIPTION	QTY	PART #
1	FOLDAWAY HOUSING; BRACKET TYPE	1	11822-30
2	LEG; PRIMARY, FOLD-DOWN	1	11822-12
3	LEG; SECONDARY, DROP-DOWN	1	11822-22
4	PIN & LANYARD; FOLD LOCK	1	13700
5	PIN & LANYARD; DROP LOCK	1	18502
6	HEX HEAD CAP SCREW; 1/2-13 X 4, GR. 5, ZINC	1	!HHCS05013400
7	LOCK NUT; 1/2-13, GR. 5, ZINC, NYLON INSERT	1	!LNUT-05013



VENCO VENTURO INDUSTRIES LLC
CINCINNATI, OHIO

PARTS BREAKDOWN

11822-2 FOLDAWAY LEG

DATE
02-10-17

SUPERSEDES
-

PAGE

23

25721



VENTURO CRANES LIMITED WARRANTY POLICY

Venturo products are built to last...we guarantee them.

As a purchaser of any new Venturo product covered by warranty, you will receive 1 year of the most complete coverage available...and, at no added cost to you.

1-Year Limited Warranty Policy

This limited policy warrants new products of Venturo to be free from defects in material and workmanship for a period of one (1) year from date of original installation. OEM products or accessories purchased by Venturo as part of or offered with our product will carry the OEM manufacturer's respective warranty. Our warranty covers:

- ***Repair or replacement of product***
- ***Labor to repair or replace product***
- ***Freight to return and/or replace product***

We shall not be liable for any contingent liabilities arising out of the improper function of any products. Warranty shall become void if the product is improperly installed, modified, damaged, abused or used for application other than intended use. There is no warranty of merchantability, fitness for a particular purpose, warranty arising from course of dealing or usage of trade, or any other implied or expressed warranty, except as made specifically herein. This warranty supersedes all previous warranties, written or implied.

Warranty Claims

Venco Venturo Industries LLC will make a good faith effort for prompt correction or other adjustment with respect to any product, which proves to be defective after our inspection and within the warranty period. Before any repairs are attempted or before returning any product, your Venturo Distributor is required to obtain a warranty claim number. This number is necessary for any claim to be considered. To obtain a warranty claim number, Venturo requires the model and serial number. Only authorized Venturo Distributors can perform warranty. For the name and address of your local Venturo Distributor call the **Warranty Claim Department - 513-772-8448**.

WARNING - It is the responsibility of the installer to ensure the installation is completed according to the manufacturer's recommendations, ensure the ultimate user understands how to operate product in a safe manner, and understands the need for regular service and maintenance by an authorized Venturo Distributor. No modifications or alterations may be made to any Venturo product without the expressed written consent of Venco Venturo Industries LLC. Installation of any Venturo product must be done by an authorized Venturo Distributor, to the standards of the industry; including maintenance, service and affixing of all instruction, safety and warning decals. Users should be instructed as to the safe operation at time of delivery. Maintenance, service, operation and safety warning decals are available on request from Venco Venturo Industries LLC.

VENCO VENTURO INDUSTRIES LLC
12110 BEST PLACE | CINCINNATI, OHIO 45241
P: 800-226-2238 | F: 513-326-5427
www.venturo.com