

PARTS & INSTALLATION MANUAL

ET36KX(P)

Included in this manual:

ET36KX(P)

- 6,000 lbs Electric Telescopic Service Crane
- 10 – 16 – 20 ft Powered, Dual-Stage, Boom Extension
- Optional Proportional Controls

ET36KX(P)

INST-24413 - 1/29/2025 (Rev: H3)

7607100A	DESCRIPTION & SPECIFICATIONS
21077	SPECIFICATIONS & OPERATING FEATURES
21078	SPECIFICATIONS & OPERATING FEATURES
24390	INSTALLATION DIMENSIONS; ET36KX(P) - DUAL-STAGE
24302	MOUNTING DIMENSIONS; BASE PLATE
21081	CAPACITY CHART; ET36KX(P) W/ 10-16-20 FT. BOOM
7607150A	SAFETY
850711	SAFETY & HAZARDS - GENERAL
850712	SAFETY & HAZARDS - CONTINUED
15394	VEHICLE & CRANE ELECTRICAL HAZARD INFORMATION
21353	SAFETY DECALS
21384	SAFETY DECALS
21354	DECALS FOR ET CRANES
24414	ADDITIONAL DECALS
24451	MODEL & CAPACITY DECALS
7607200A	INSTALLATION
711105	CABLE & BATTERY REQUIREMENTS - ET & HT CRANES
15660	BATTERY CABLE INSTALLATION DRAWING
20906-36	STABILITY TESTING
20907	STABILITY CHART
22245	WIRE ROPE INSTALLATION
7607300A	MAINTENANCE & SERVICE
24407	LUBRICATION & MAINTENANCE CHART
19963	MINIMUM VOLTAGE TEST
23229	WIRE ROPE & HOOK SPECIFICATIONS
23084	MANUAL OVERRIDE INSTRUCTIONS (NON-PROPORTIONAL)
24415	MANUAL OVERRIDE INSTRUCTIONS (PROPORTIONAL)
7607400A	REPLACEMENT PARTS
24392	REPLACEMENT PARTS DRAWING; ET36KX(P) MECH
24395	REPLACEMENT PARTS LIST; ET36KX(P) MECH
24396	REPLACEMENT HARDWARE DRAWING; ET36KX(P) MECH
24397	REPLACEMENT HARDWARE LIST; ET36KX(P) MECH
26971	REPLACEMENT PARTS DWG; 26570 BOOM (DUAL-STAGE)
26972	REPLACEMENT PARTS LIST; 26570 BOOM (DUAL-STAGE)
26973	REPLACEMENT HARDWARE DWG; 26570 BOOM (DUAL-STAGE)
26974	REPLACEMENT HARDWARE LIST; 26570 BOOM (DUAL-STAGE)
28239	A2B STOWAGE CUT-OUT
28199	WORK LIGHT INSTALLATION INSTRUCTIONS; COMPACT A2B MOUNT
28302	REPLACEMENT PARTS DRAWING; 23154-4 ELECTRICAL COMPONENT
26529	WIRING DIAGRAM, NON-PROP W/ SERIES-WOUND WINCH & 21157 CONTACTOR
26560	WIRING DIAGRAM, NON-PROP W/ PERM MAG WINCH & 21157 CONTACTOR
26562	WIRING DIAGRAM, NON-PROP W/ PERM MAG WINCH 28402 CONTACTOR & RELAY
26530	WIRING DIAGRAM, PROP W/ SERIES-WOUND WINCH & 21157 CONTACTOR
26561	WIRING DIAGRAM, PROP W/ PERM MAG WINCH & 21157 CONTACTOR
26563	WIRING DIAGRAM, PROP W/ PERM MAG WINCH 28402 CONTACTOR & RELAY
21292	REPLACEMENT PARTS LIST; 16780 SINGLE / 2-POLE SLIP RING
21293	REPLACEMENT PARTS DRAWING; 16780 SINGLE / 2-POLE SLIP RING
23075	21990 PENDANT; REPLACEMENT PARTS DRAWING / LIST (4 FUNCTION)
23786	REPLACEMENT PARTS DRAWING; 22158 RADIO
23073	REPLACEMENT PARTS DRAWING; 21988
21758	REPLACEMENT PARTS DRAWING; HYDRAULIC SYSTEM COMPONENTS (NON-PROP)
24418	REPLACEMENT PARTS DRAWING; HYDRAULIC SYSTEM COMPONENTS (PROP)
20156	HYDRAULIC SYSTEM SCHEMATIC (NON-PROPORTIONAL)
24434	HYDRAULIC SYSTEM SCHEMATIC (PROPORTIONAL)
21860	REPLACEMENT PARTS DRAWING; 21753 EXTENSION CYLINDER W/ SEAL KIT INFO
21773	REPLACEMENT PARTS DRAWING; 21752 ELEVATION CYLINDER W/ SEAL KIT INFO
21053	REPLACEMENT PARTS DRAWING; 19813 WINCH
23787	REPLACEMENT PARTS DRAWING; 26489 HYDRAULIC POWER UNIT
21886	REPLACEMENT PARTS DRAWING; 21418 SLEWING RING
24452	DECAL PLACEMENTS
24453	FIELD SERVICE LABEL KIT; ET25/30/36KX
24454	FIELD SERVICE LABEL KIT; ET25/30/36KXP

12-00073_VNT1 WARRANTY PAGE

SECTION 100

DESCRIPTION

&

SPECIFICATIONS



VENCO VENTURO INDUSTRIES LLC
CINCINNATI, OHIO

SPECIFICATIONS AND OPERATING FEATURES

ET36KX-10/20

SPECIFICATIONS

12 VOLT BATTERY OPERATED

36,000 FT-LBS OVERTURNING MOMENT (Or as limited by truck stability)

MOMENT OVERLOAD SYSTEM

TELESCOPIC BOOM	10 / 20
BOOM HYD ELEVATION	-8° TO 75°
BOOM HYD EXT	10 - 20 FT
CAPACITY	1800 LBS @ 20 FT REACH
	6000 LBS @ 3 TO 5 FT REACH
WIRE ROPE	5/16" DIA x 80 FT EXTRA HIGH STRENGTH
PENDANT CORD LENGTH	25 FT

WINCH - 3000 LBS SINGLE LINE CAPACITY

With Automatic Load Brake

ELECTRIC HYDRAULIC BOOM ELEVATION

ELECTRIC HYDRAULIC BOOM EXTENSION & RETRACTION - 10 FT STROKE

360° CONTINUOUS POWER ROTATION

REMOTE CONTROL PENDANT

25 ft Straight Cord with Four Environmentally Sealed Toggle Switches Protected by a Guard

MASTER DISCONNECT SWITCH

OUTRIGGERS AVAILABLE

Side Bracket Type Outriggers

Fold Away Type Outriggers

Pullout Type Outrigger System



MFG., INC.
CINCINNATI, OHIO

TITLE
INSTALLATION DWG

ET36KX-10/20

DATE
9-30-09A

SUPERCEDES
3-18-08

SECTION
C120

21077

OVERLOAD SENSING SYSTEM

This crane is equipped with an Overload Sensing System. If the capacity of the crane is exceeded, the "Winch Up", "Boom Down", and "Boom Out" functions will be shut down. The "Winch Down", "Boom Up", and "Boom In" functions will continue to operate and can be used to relieve the overload condition. The "Rotation" function also will continue to operate.

CONTROL PRIORITY SYSTEM

The design intent of the electrical and hydraulic system is such that some functions can be operated simultaneously, while others are meant to be operated individually. To summarize the control system see the explanations below.

- Winch up takes priority over all functions.
- Winch Down can be operated with any other single function.
- Hydraulic functions (Rotation Right, Rotation Left, Boom Up, Boom Down, Boom Out and Boom In) are designed to function one at a time.

CABLE DRUM AND SHEAVE DIAMETERS

The drum on the ET36KX is 5-5/16" in diameter which provides the first layer wire rope pitch diameter 18 times the rope diameter as required by ANSI B30.5 Hydraulic Crane Standards. The cable sheaves are either 16 (snatch block) or 18 (boom) times the cable diameter which likewise conforms.

MISCELLANEOUS

A. CAPACITY INDICATOR

Select boom reach and angle allowable for load by using capacity indicator arrow and chart on either side of boom.

B. BATTERY HOOKUP

A parallel auxiliary battery should be installed near the crane as shown on Dwg. 19947 under "RECOMMENDED INSTALLATION". The parallel auxiliary battery minimum rating should be 450 Cold Cranking Amps (at 0° F) and 100 reserve capacity, or 78 plates and 70 amp hours.



MFG., INC.
CINCINNATI, OHIO

TITLE
INSTALLATION DWG

ET36KX-10/20

DATE
3-18-08

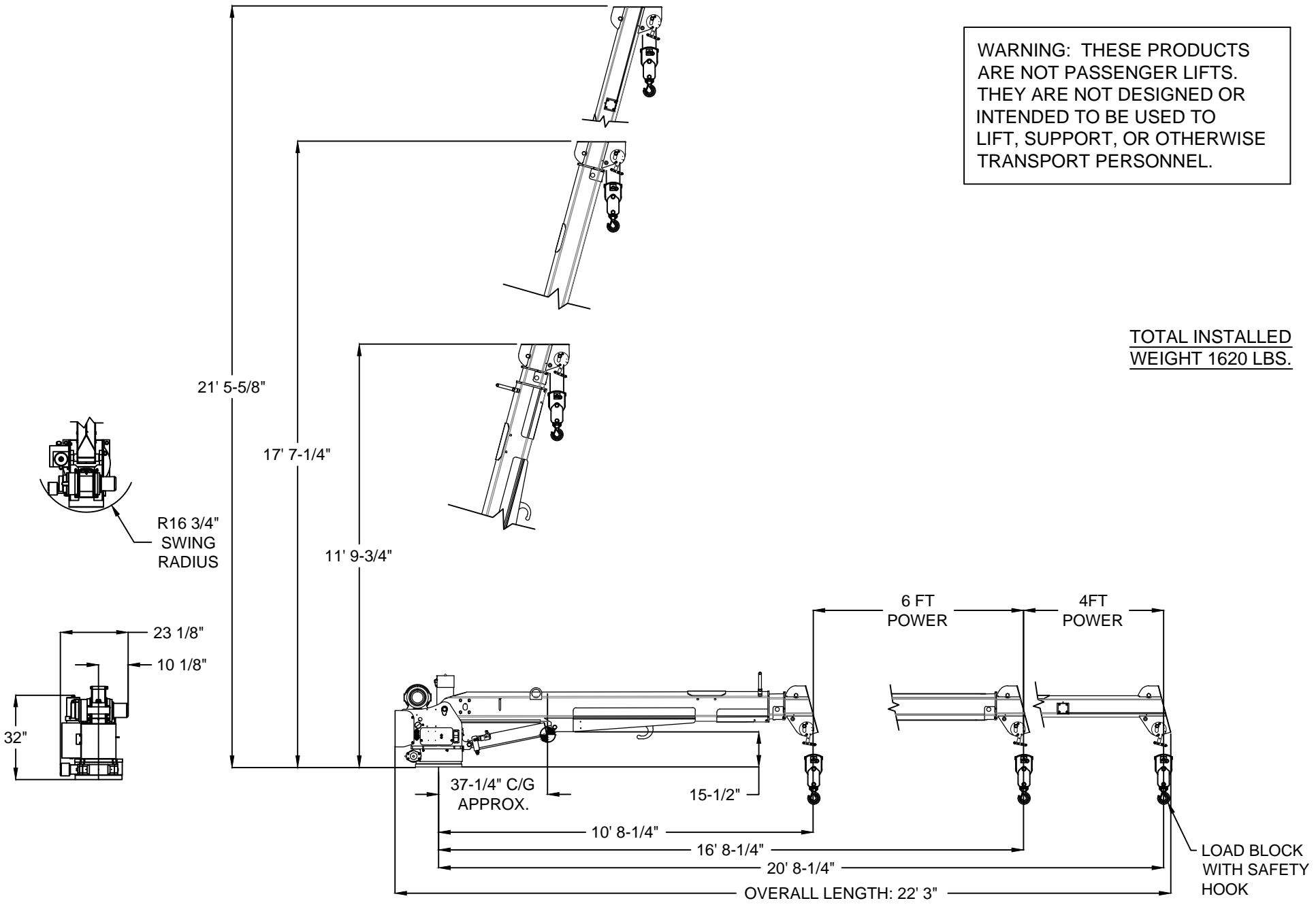
SUPERCEDES
-

SECTION
C120

21078

WARNING: THESE PRODUCTS ARE NOT PASSENGER LIFTS. THEY ARE NOT DESIGNED OR INTENDED TO BE USED TO LIFT, SUPPORT, OR OTHERWISE TRANSPORT PERSONNEL.

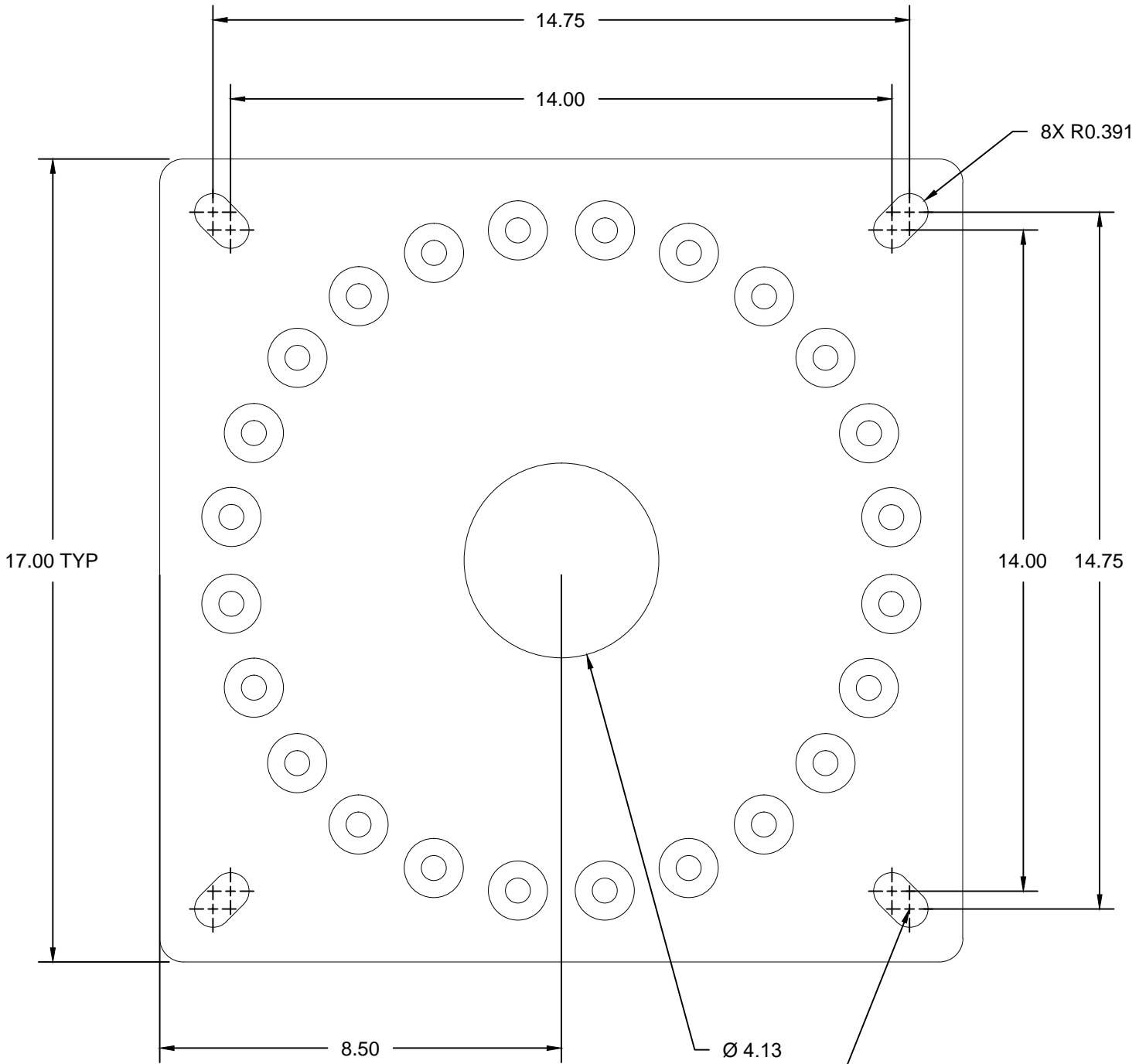
TOTAL INSTALLED WEIGHT 1620 LBS.



MANUFACTURING, INC.
CINCINNATI, OHIO

TITLE	DATE	SECTION
INSTALLATION DRAWING	10-08-24C	C100
ET25/36KX(P) - DUAL-STAGE 10/16/20 BOOM	SUPERSEDES	
	04-05-23B	24390

BASE MOUNTING DIMENSIONS; ET25-36 & HT25/30 SERIES



▲ CENTERS SHOWN FOR
4x 3/4" DIA GRADE 8
MOUNTING BOLTS
TORQUE TO 300 FT*LBS



VENCO VENTURO INDUSTRIES LLC
CINCINNATI, OHIO

TITLE
BASE MOUNTING DIMS

ET25-36 & HT25/30 SERIES

DATE
01-29-25B

SUPERSEDES
10-07-24A

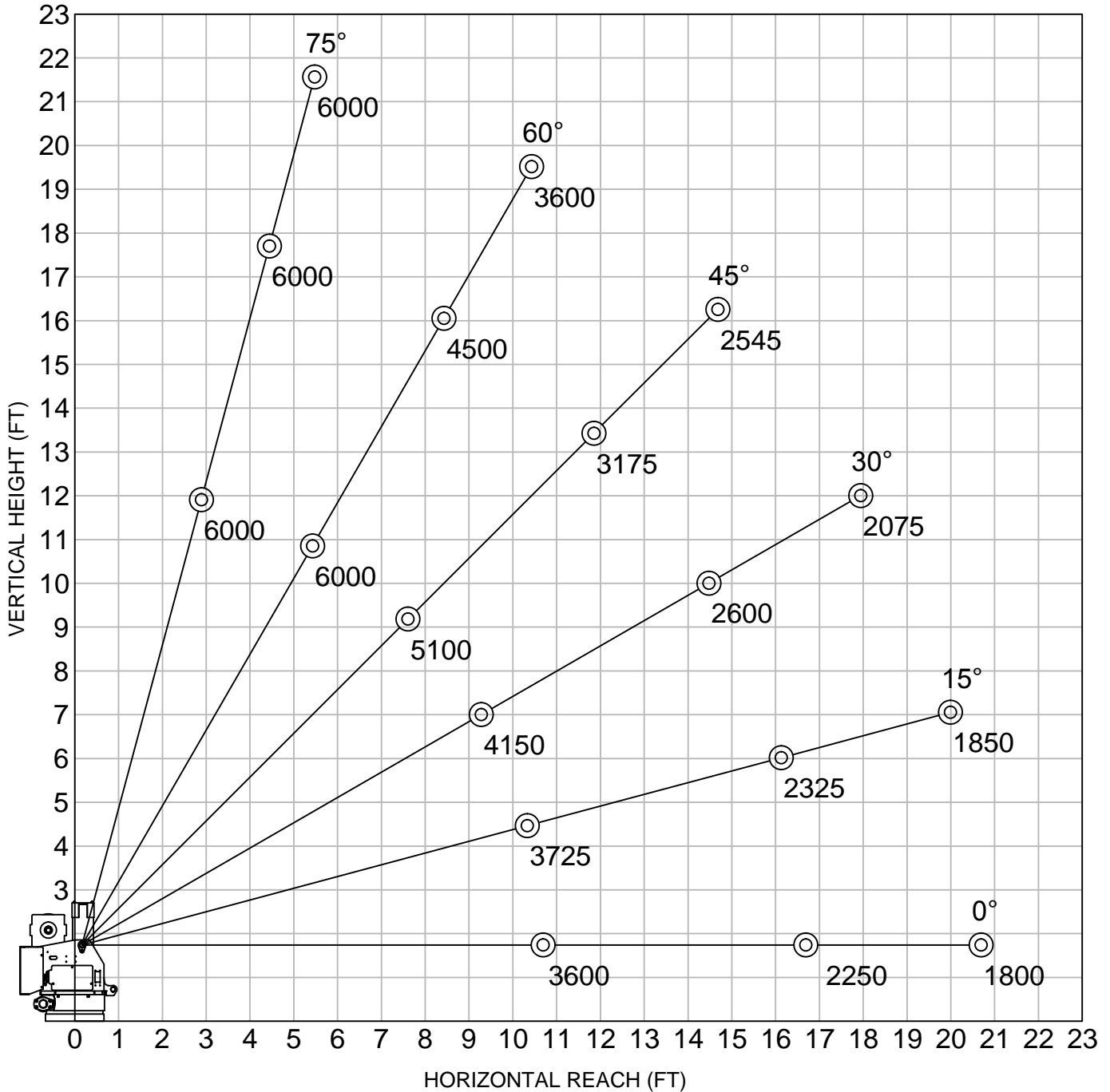
SECTION
C100

24302

ET36KX, 10'-16'-20' BOOM

▲ CRANE SERIAL NUMBER: _____

MAXIMUM LOAD CAPACITY CHART



WEIGHT OF LOAD HANDLING DEVICES ARE PART OF THE LOAD AND MUST BE DEDUCTED FROM THE GROSS CAPACITY.

LOAD BLOCK USAGE

1 PART LINE FOR LOADS LESS THAN 3000 LBS

2 PART LINE FOR LOADS OF 3000 LBS AND GREATER

WEIGHT OF LOAD BLOCK = 34 LBS



VENCO VENTURO INDUSTRIES LLC
CINCINNATI, OHIO

TITLE
MAXIMUM LOAD CAPACITY

ET36KX, 10'-16'-20' BOOM

DATE
05-03-16B

SUPERSEDES
04-30-13A

SECTION
C100

21081

SECTION 150

SAFETY



VENCO VENTURO INDUSTRIES LLC
CINCINNATI, OHIO

CRANE SAFETY AND HAZARDS

CAUTIONS

1. INSPECT VEHICLE AND CRANE, INCLUDING OPERATION, PRIOR TO USE DAILY.
2. DO NOT USE THIS EQUIPMENT EXCEPT ON FIRM LEVEL GROUND WITH CRANE MOUNTED ON FACTORY-RECOMMENDED TRUCK.
3. BEFORE OPERATING THE CRANE, REFER TO MAXIMUM LOAD (CAPACITY) CHART ON CRANE FOR OPERATING (LOAD) LIMITATIONS.
4. DO NOT OPERATE, WALK, OR STAND BENEATH BOOM OR A SUSPENDED LOAD.
5. ATTACH PENDANT CORD SUPPORT SNAP TO ATTACHMENT POINT BEFORE PLUGGING IN PENDANT, IF SO EQUIPPED.
6. UNPLUG PENDANT AND SHUT OFF MASTER DISCONNECT SWITCH WHEN CRANE IS NOT IN USE.
7. FOR TRAVEL, BOOM MUST BE IN STOWED POSITION.

DANGER

- THIS CRANE IS NOT A PASSENGER LIFT
- IT IS NOT DESIGNED OR INTENDED TO BE USED TO LIFT, SUPPORT, OR OTHERWISE TRANSPORT PERSONNEL.

YOU MUST NOT OPERATE THIS CRANE, UNLESS:

1. YOU HAVE BEEN TRAINED IN THE SAFE OPERATION OF THIS CRANE, AND
2. YOU KNOW AND FOLLOW THE SAFETY AND OPERATING RECOMMENDATIONS CONTAINED IN THE MANUFACTURER'S MANUALS, YOUR EMPLOYER'S WORK RULES, AND APPLICABLE GOVERNMENT REGULATIONS. AN UNTRAINED OPERATOR SUBJECTS HIMSELF AND OTHERS TO DEATH OR SERIOUS INJURY.

ELECTROCUTION HAZARD

- THIS MACHINE IS NOT INSULATED.
- MAINTAIN SAFE CLEARANCES FROM ELECTRICAL LINES AND APPARATUSES.
- YOU MUST ALLOW FOR BOOM SWAY, ROCK, OR SAG, AND ELECTRICAL LINE AND LOAD-LINE SWAYING
- THIS LIFTING DEVICE DOES NOT PROVIDE PROTECTION FROM CONTACT WITH OR PROXIMITY TO AN ELECTRICALLY CHARGED CONDUCTOR.
- YOU MUST MAINTAIN A CLEARANCE OF AT LEAST 10 FEET BETWEEN ANY PART OF THE CRANE, LOAD-LINE, OR LOAD, AND ANY ELECTRICAL LINE OR APPARATUS CARRYING UP TO 50,000 VOLTS. REFER TO DRAWING 15394 FOR ADDITIONAL INFORMATION.
- **DEATH OR SERIOUS INJURY** WILL RESULT FROM CONTACT OR INADEQUATE CLEARANCES.

OVERLOAD SENSING SYSTEM - STANDARD ON ALL CRANES

1. IF OVERLOADED, THE WINCH UP, BOOM DOWN, AND (OPTIONAL) BOOM OUT FUNCTIONS WILL AUTOMATICALLY, SHUT OFF TO PREVENT INCREASED OVERLOAD.
2. ON CRANES EQUIPPED WITH AN OPTIONAL OVERLOAD ALARM, IT WILL ALSO SOUND.
3. IF AN OVERLOAD OCCURS, USE THE WINCH DOWN, BOOM UP OR BOOM IN FUNCTIONS TO RELIEVE THE OVERLOAD.
4. THE OVERLOAD SENSING SYSTEM IS INOPERATIVE IF THE BOOM ELEVATION IS AT THE BOTTOM OR TOP LIMIT OF TRAVEL. TO RELIEVE THIS CONDITION, RAISE OR LOWER THE BOOM SLIGHTLY BEFORE LIFTING THE LOAD.
5. SEE MANUAL FOR TESTING THE OVERLOAD SYSTEM.

NOTICE - WARRANTY VOID IF DISCONNECTED

THE OVERLOAD SENSING SYSTEM HAS BEEN INSTALLED AS A SAFETY FEATURE TO PROTECT THE EQUIPMENT AND THE OPERATOR.

DO NOT DISCONNECT THIS SYSTEM



VENCO VENTURO INDUSTRIES LLC
CINCINNATI, OHIO

TITLE	DATE	SECTION
SAFETY & HAZARDS	01-29-15K	C150
ELECTRIC CRANES	SUPERSEDES 12-20-13J	850711

CRANE SAFETY AND HAZARDS - CONT'D

OVERLOAD ALARM SYSTEM - OPTIONAL

1. OVERLOAD ALARM HORN SOUNDS IF RATED LOAD IS EXCEEDED AT ANY REACH.
2. IF ALARM SOUNDS, RAISE BOOM OR LOWER WINCH TO REMOVE OVERLOAD.
3. ALWAYS RAISE BOOM SLIGHTLY BEFORE LIFTING LOAD. WARNING SYSTEM INOPERATIVE WHEN CYLINDER IS COMPLETED BOTTOMED.
4. ALARM CAN BE TESTED BY TYING DOWN BOOM WITH WINCH CABLE AND OPERATING BOOM UP OR BY RAISING BOOM AGAINST UP LIMIT STOP.

NOTICE - WARRANTY VOID IF DISCONNECTED

THIS ALARM SYSTEM HAS BEEN INSTALLED AS A SAFETY FEATURE TO PROTECT BOTH THE EQUIPMENT AND THE OPERATOR.

DO NOT DISCONNECT THIS SYSTEM

INTENTIONALLY LEFT BLANK



VENCO VENTURO INDUSTRIES LLC
CINCINNATI, OHIO

TITLE

SAFETY & HZRDS, CONT.

DATE

01-29-15

SECTION

C150

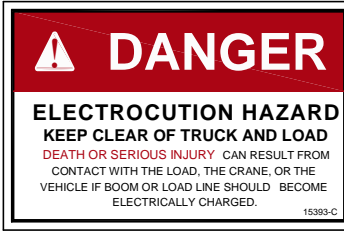
ELECTRIC CRANES

SUPERSEDES

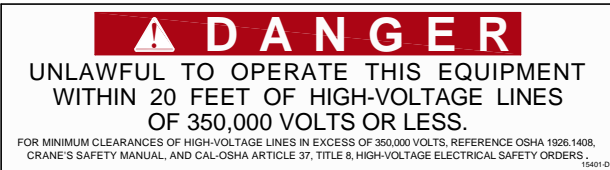
-

850712

VEHICLE & CRANE MOUNTED ELECTRICAL HAZARD SIGN APPLICATION & INFORMATION



SIGN NO. 15393 DISPLAYS THE INTERNATIONAL SYMBOL FOR ELECTRICITY AND WARNS OF DANGER FROM AN ELECTRICALLY CHARGED VEHICLE, CRANE, OR LOAD. FOUR ARE RECOMMENDED (ONE FOR EACH SIDE AND ONE FOR EACH END OF VEHICLE) TO BE APPLIED IN LOCATIONS WHICH ARE READILY VISIBLE TO GROUND PERSONNEL.



SIGN NO. 15401 PROVIDES ADDITIONAL WARNING OF LEGAL REQUIREMENTS WHEN OPERATING NEAR HIGH VOLTAGE LINES. THIS SIGN IS PLACED ON THE CONTROL PENDANT SIDE OF BOOM.

Table A - Minimum Clearance Distances

Voltage (nominal, kV, alternating current)	Minimum clearance distance (feet) *
Up to 50.....	10
over 50 - 200.....	15
over 200 - 350.....	20
over 350 - 500.....	25
over 500 - 750.....	35
over 750 - 1000.....	45
Over 1000.....	(as established by the utility owner/operator or registered professional engineer who is a qualified person with respect to electrical power transmission and distribution).

Table T - Minimum Clearance Distances While Traveling With No Load

Voltage (nominal, kV, alternating current)	While traveling - minimum clearance distance (feet) *
0 - 0.75.....	4
over 0.75 - 50.....	6
over 50 - 345.....	10
over 345 - 750.....	16
over 750 - 1000.....	20
Over 1000.....	(as established by the utility owner/operator or registered professional engineer who is a qualified person with respect to electrical power transmission and distribution).

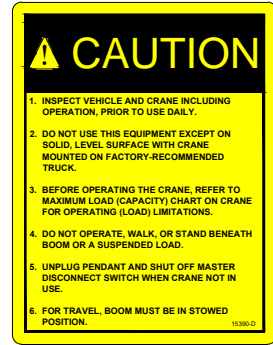
* NOTE: ENVIRONMENTAL CONDITIONS SUCH AS FOG, SMOKE, OR PRECIPITATION MAY REQUIRE INCREASED CLEARANCES



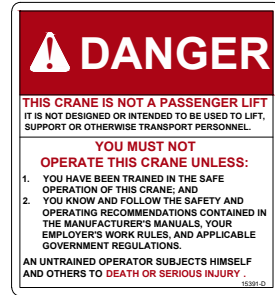
VENCO VENTURO INDUSTRIES LLC
CINCINNATI, OHIO

TITLE	DATE	SECTION
HAZARD APPS & INFO	02-21-14M	C150
ET/HT CRANES	SUPERSEDES 12-20-13L	15394

DECAL #: 15390
 DESCRIPTION: CAUTION, INSPECT VEHICLE & CRANE...
 PURPOSE: TO INFORM THE OPERATOR OF KEY OPERATING REQUIREMENTS.
 QUANTITY: 1
 PLACEMENT: REAR COVER OR SIDE OF CRANE



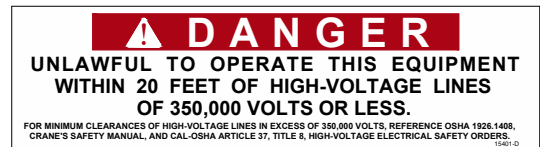
DECAL #: 15391
 DESCRIPTION: DANGER, NOT A PASSENGER LIFT
 PURPOSE: TO INFORM OPERATOR NOT TO LIFT, SUPPORT, OR TRANSPORT PERSONNEL, AND TO ENSURE OPERATOR IS ADEQUATELY TRAINED.
 QUANTITY: 1
 PLACEMENT: REAR COVER OR SIDE OF CRANE



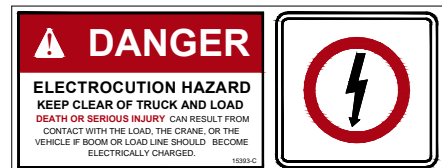
DECAL #: 15392
 DESCRIPTION: DANGER, ELECTROCUTION HAZARD, MACHINE (CRANE)
 PURPOSE: TO INFORM OPERATOR THAT MACHINE (CRANE) REPRESENTS AN ELECTROCUTION HAZARD SHOULD IT COME CLOSE TO OR IN CONTACT WITH AN ELECTRICAL VOLTAGE SOURCE.
 QUANTITY: 1
 PLACEMENT: REAR COVER OR SIDE OF CRANE



DECAL #: 15401
 DESCRIPTION: DANGER, UNLAWFUL TO OPERATE
 PURPOSE: TO INFORM OPERATOR OF PROPER OPERATION IN VICINITY OF ELECTRICAL LINES.
 QUANTITY: 1
 PLACEMENT: RING COVER OR SIDE OF CRANE



DECAL #: 15393
 DESCRIPTION: DANGER, ELECTROCUTION HAZARD, VEHICLE (TRUCK)
 PURPOSE: WARNS OF DANGER FROM ELECTRICALLY CHARGED VEHICLE, CRANE, OR LOAD.
 QUANTITY: 4
 PLACEMENT: EACH SIDE & EACH END OF VEHICLE



VENCO VENTURO INDUSTRIES LLC
 CINCINNATI, OHIO

TITLE
 SAFETY DECALS

VENTURO CRANES

DATE
 04-29-16E

SUPERSEDES
 10-24-13D

SECTION
 C150

21353

PART NO.: 15513

DECAL: MASTER DISCONNECT SWITCH

FUNCTION: To inform the operator of location and operation of master disconnect switch.

QUANTITY: 1

PLACEMENT: On master disconnect switch bracket.



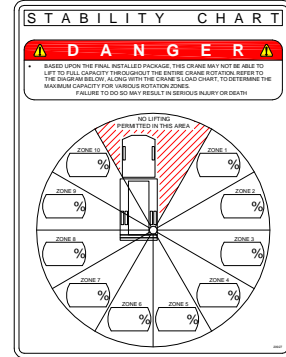
PART NO.: 20927

DECAL: CRANE STABILITY

FUNCTION: To inform the operator of the crane's lifting capacity throughout the entire rotation.

QUANTITY: 1

PLACEMENT: In prominent location, so it is easily seen and readily identifiable.



▲



VENCO VENTURO INDUSTRIES LLC
CINCINNATI, OHIO

TITLE	DATE	SECTION
SAFETY DECALS	06-06-14C	C150
CRANES	SUPERSEDES 04-02-13B	21384

PART NO.: 14473-2

DECAL: CONDUCTIVE GREASE

FUNCTION: To show the operator where to apply grease.

QUANTITY: Varies

PLACEMENT: Near grease fittings.



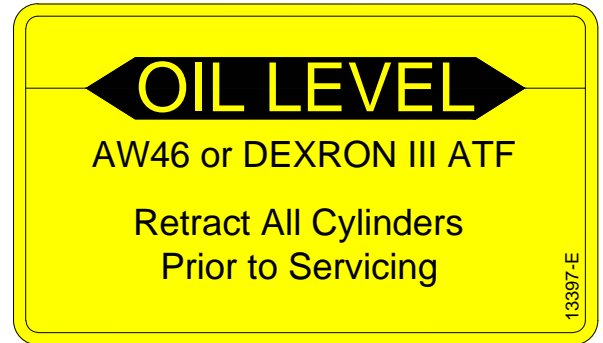
PART NO.: 13397

DECAL: OIL LEVEL

FUNCTION: To inform the operator of proper oil level to maintain.

QUANTITY: 1

PLACEMENT: Side of hydraulic power unit.



PART NO.: 15398

DECAL: UNPLUG REMOTE CONTROL

FUNCTION: To inform the operator to unplug remote control when not in use.

QUANTITY: 1

PLACEMENT: Near pendant socket.



MANUFACTURING, INC.
CINCINNATI, OHIO

TITLE
DECALS

ET CRANES

DATE
11-12-19E

SUPERSEDES
12-23-13D

SECTION
C150

21354

PART NO.: 23191
 DECAL: MANUAL OVERRIDE DECAL
 FUNCTION: To show the manual override ports.
 QUANTITY: 1 each
 PLACEMENT: Left side of housing.



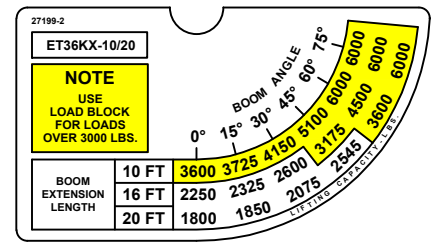
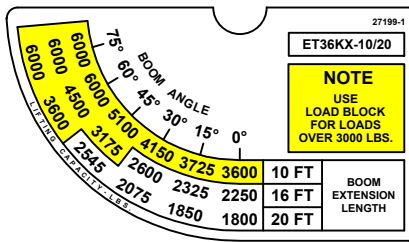
PART NO.: 23188
 DECAL: MANUAL OVERRIDE DECAL
 FUNCTION: To show the manual override ports.
 QUANTITY: 1 each
 PLACEMENT: Right side of housing.



PART NO.: 19315-2
 DECAL: MANUAL OVERRIDE (PROPORTIONAL)
 FUNCTION: To show operator how to override proportional valve.
 QUANTITY: 1
 PLACEMENT: Right side of Mechanism, near valve stem.



PART NO.: 27199-1 & 27199-2
 DECAL: CRANE CAPACITY
 FUNCTION: To show the operator the operating capacities of the crane.
 QUANTITY: 1 each
 PLACEMENT: One on each side of boom.



PART NO.: 28533
 DECAL: MODEL DECAL (ET36KX)
 FUNCTION: To show the model of the crane.
 QUANTITY: 2
 PLACEMENT: One on each side of boom.



PART NO.: 19788-1
 DECAL: PROPORTIONAL DECAL
 FUNCTION: To show the crane has proportional feature.
 QUANTITY: 2
 PLACEMENT: One on each side of boom.



PART NO.: 17389-4
 DECAL: VENTURO (2.8" x 11")
 PURPOSE: Branding.
 QUANTITY: 1
 PLACEMENT: Rear cover



VENCO VENTURO INDUSTRIES LLC
 CINCINNATI, OHIO

TITLE
 MODEL/CAPACITY DECALS

ET36KX(P)

DATE
 11-10-23

SUPERSEDES
 -

SECTION
 C150

24451

SECTION 200

INSTALLATION



VENCO VENTURO INDUSTRIES LLC
CINCINNATI, OHIO

!! IMPORTANT !!

ADEQUATE WIRING IMPERATIVE FOR PROPER OPERATION

1. PROPER GROUND PATH - SEE DWG 15660
2. CURRENT DRAW IS SEVERAL HUNDRED AMPERES - ADEQUATE WIRE SIZE AND BATTERY CAPACITY IS ABSOLUTELY ESSENTIAL (SEE CHART BELOW).

▲ MINIMUM WIRE GAUGE AND AUXILIARY BATTERY SIZE

MODEL	TOTAL LENGTH OF CABLE (FT) *								▲ 12 VOLT AUXILIARY BATTERY REQUIREMENTS	
	0-20	21-25	26-30	31-40	41-50	51-60	61-70	71-80	CCA (A) **	RC (MIN) ***
▲ CE1500 CE6K CT2000 CT2003/4/5 DT7K	#4	#4	#2	#2	#1	#0	#0	#00	350	100
ET5500MPB ET5500R ET6KMPB ET6KR ET6K ET8K ET10K ET12K	#2	#2	#1	#0	#00	NOT RECOMMENDED		450	100	
ET8KX ET10KX ET12KX ▲ ET12KXP	#2	#2	#1	#0	#00	NOT RECOMMENDED		550	150	
ET18K(X) ET25K(X) ET30KX ET36KX	SEE DRAWING 15660 FOR CABLE AND BATTERY REQUIREMENTS									

* INCLUDES GROUND CABLE

** CCA = COLD CRANKING AMPS AT 0° (F).

*** RC = RESERVE CAPACITY IN MINUTES AT 25 AMPS AND 80° (F).
THE RC RATING IS A MEASURE OF THE PERIOD OF TIME THE BATTERY CAN SUPPLY A GIVEN CURRENT WITHOUT RECHARGING.



VENCO VENTURO INDUSTRIES LLC
CINCINNATI, OHIO

TITLE
CABLE & BATTERY

DATE
07-30-18X

SECTION
C200

ELECTRIC CRANES

SUPERSEDES
09-27-17W

711105

RECOMMENDED CIRCUIT BREAKER TABLE

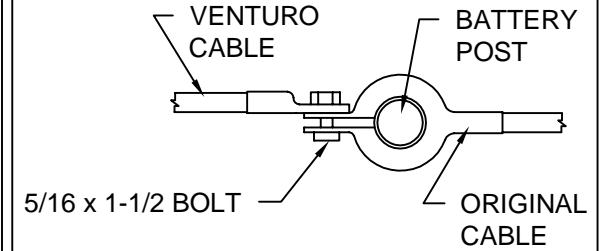
CRANE	DESCRIPTION	PART NO.
CT310KX	250 AMP, MAN RESET	22946-250
DT7	250 AMP, MAN RESET	22946-250
CE-1500-FB	150 AMP, MAN RESET	22946-150
CE6K	150 AMP, MAN RESET	22946-150
CT200X	250 AMP, MAN RESET	22946-250
ET6K	250 AMP, MAN RESET	22946-250
ET8/12K(X)	250 AMP, MAN RESET	22946-250
ET12KXP	300 AMP, MAN RESET	22946-300
ET16/18KX-16'	250 AMP, MAN RESET	22946-250
ET16/18KX-20'	300 AMP, MAN RESET	22946-300
ET25/30KX	300 AMP, AUTO RESET	22946-300
ET36KX	300 AMP, AUTO RESET	22946-300

BATTERY REQUIREMENTS

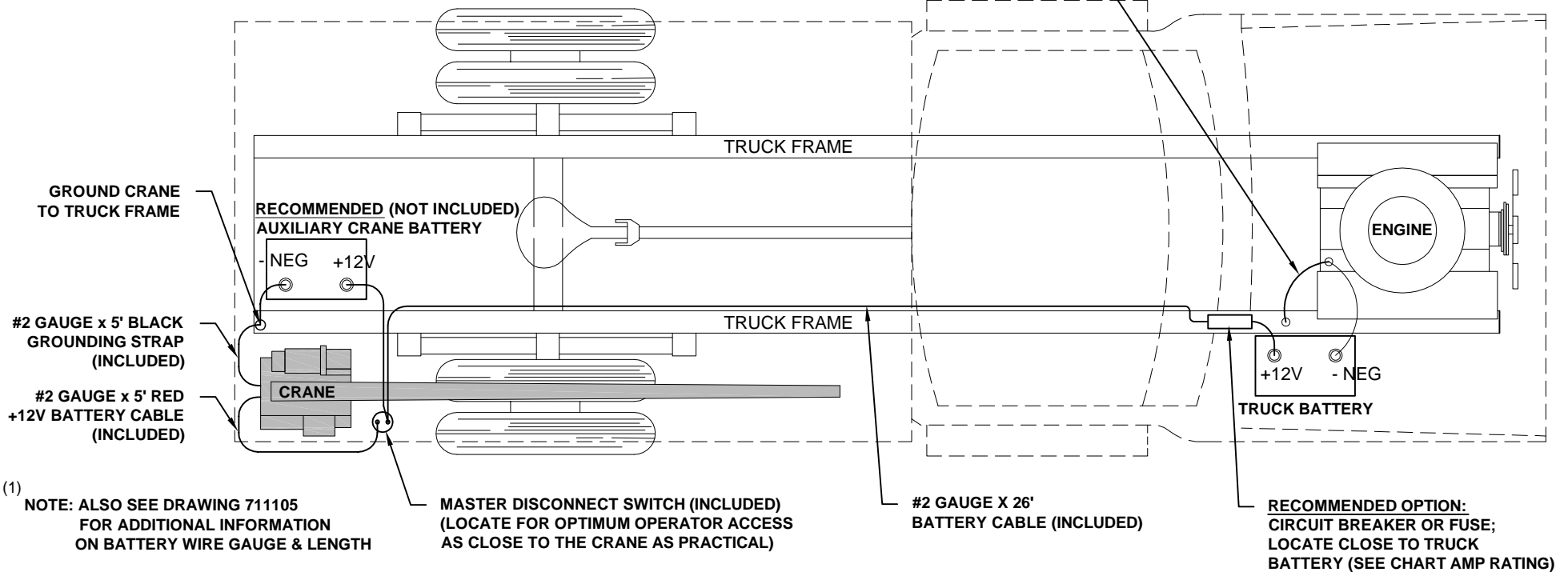
- 12 VOLT VEHICLE BATTERY REQUIREMENTS
 - 625 COLD CRANKING AMPS (AT 0° F)
 - 160 MINUTES RESERVE CAPACITY
 - 102 PLATES, 105 AMP-HR
- (1) ● 12 VOLT AUXILIARY BATTERY REQUIREMENTS
 - SEE MINIMUM WIRE GAUGE AND BATTERY SIZE

NOTE: OPERATING WITH THE VEHICLE BATTERY 'ONLY' IS PERMISSIBLE, BUT NOT RECOMMENDED.

RECOMMENDED BATTERY TERMINAL ATTACHMENT



INSTALL #2 GAUGE GROUND STRAP FROM ENGINE TO TRUCK FRAME (REQUIRED IF NEGATIVE FROM BATTERY IS CONNECTED TO ENGINE)



VENCO VENTURO INDUSTRIES LLC
CINCINNATI, OHIO

TITLE

BATTERY CABLE & COMPONENT INSTALL

ET CRANES

DATE

09-03-20M

SUPSEDES

07-30-18L

SECTION

C200

15660

STABILITY TEST - ET36-20' SERIES

Overview

Venturo follows the guidelines of ANSI B30.5 in defining stability. Generally speaking, a truck is considered stable as long as it is not on the verge of tipping - i.e. with the truck level, at least one tire on each corner of the truck must remain in contact with the ground.

It is important to note that nearly every installation is unique and will, therefore, typically require stability testing.

The procedure outlined below follows ANSI's (B30.5 - 5-1.1.1) specified "maximum load rating" of 85% of truck stability.

Testing Procedure

1. Locate the truck on firm, level ground and set parking brake.
2. Fully deploy stabilizers, making sure they are firmly in contact with supportive ground; use stabilizer pads as required. The tires of the truck should remain in full contact with the ground.
3. Inspect wire rope and other key components of crane (consult owners manual for more information).
4. Conduct an operational check of all crane functions.
5. Locate the Overload Pressure Switch at the base of the elevation cylinder
 - 5.1. Disconnect the black & white wires from the housing and then connect the black & white wires together to by-pass the Overload Pressure Switch for the stability test. **Note: The black & white wires MUST be reconnected to the Overload Pressure Switch after the stability test has been completed.**
6. Use a **Test Weight** weighing a **minimum** of **2118 lbs.**, (includes load block weight of 34 lbs.) to a **maximum of 2200 lbs.**
7. Position the boom level and fully retracted.
8. Referring to the Stability Chart (drawing 20907) rotate the crane to a position between 1 and 2 o'clock (truck cab is facing 12 o'clock) to begin testing.
9. Use the winch to lift the Test Weight; DO NOT allow the weight to be more than 6" off the ground at any time during testing (for safety).
10. Using the test weight, extend the boom slowly, until one of two conditions occur:
 - 10.1. Full extension is reached - Mark the ZONE in question **100%**
 - 10.2. The truck becomes unstable i.e. a tire lifts off the ground
 - 10.2.1. Retract the boom until at least one tire on each corner of the truck is making contact with the ground
 - 10.2.2. Use the formula below to determine the allowable **% of Rated Capacity** for the ZONE in question
11. Note: The "**Max Stable Reach in inches**" is measured (horizontally) from the **center of rotation** of the crane housing to the **lifting load hook**.
$$\% \text{ Rated Capacity} = \frac{\text{"Max Stable Reach" in inches}}{248} \times 100$$
12. Record the **% of Rated Capacity** in the appropriate blank (region) on the Crane Stability page (ref. 20907) and decal.
13. Repeat Steps 7 through 12 for each ZONE on the stability page.



VENCO VENTURO INDUSTRIES LLC
CINCINNATI, OHIO

TITLE

STABILITY TEST

DATE

03-17-23E

SECTION

C200

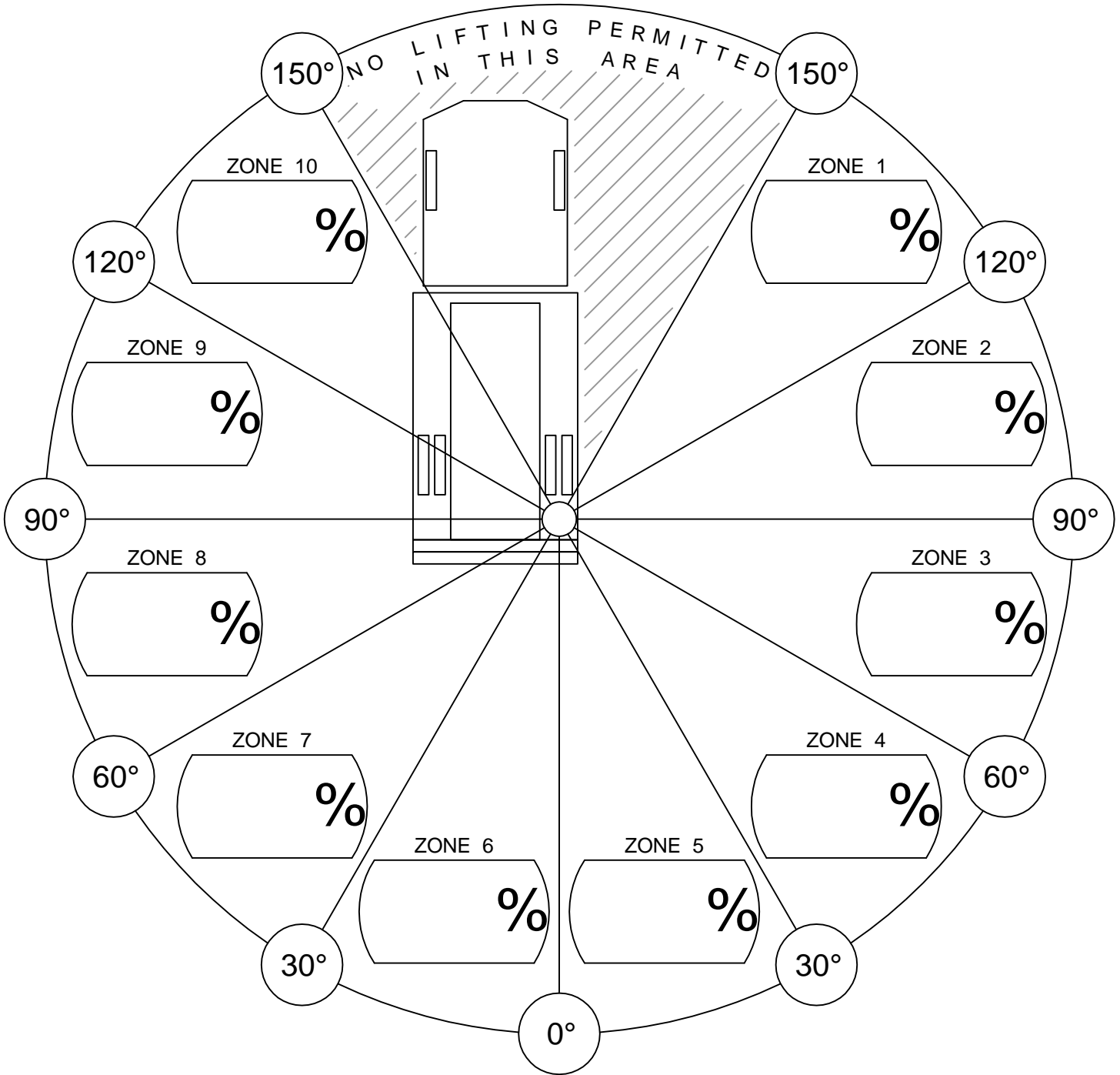
ET36-20' SERIES

SUPERSEDES

11-23-21D

20906-36

CRANE STABILITY



% of Rated Capacity for each of the 10 regions are provided above.

CONDITIONS:

- STABILIZERS FULLY EXTENDED & DOWN, ON FIRM LEVEL GROUND.



VENCO VENTURO INDUSTRIES LLC
CINCINNATI, OHIO

TITLE
STABILITY CHART

VENTURO CRANES

DATE
05-11-17F

SUPERSEDES
02-21-14E

SECTION
C200

20907

WIRE ROPE INSTALLATION

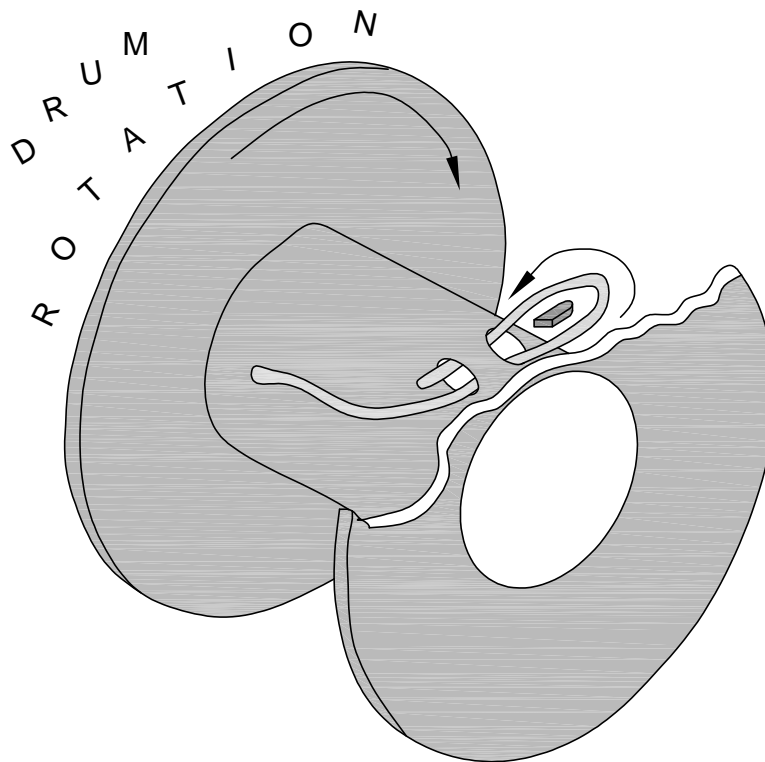


FIG. 1

- STEP 1: UNWIND COIL OF WIRE ROPE BY 'ROLLING' ALONG THE FLOOR. THIS WILL PREVENT 'KINKING'.
- STEP 2: INSERT WIRE ROPE END UP THROUGH ANTI-2-BLOCK (A2B) CAGE ASSEMBLY, BETWEEN CHEEK PLATES, OVER THE TOP SHEAVE, AND THROUGH WIRE ROPE GUIDE.
- STEP 3: INSERT WIRE ROPE END INTO POCKET OPENING ON WINCH, WRAP AROUND WEDGE, AND BACK THROUGH POCKET OPENING AS SHOWN IN FIGURE 1.



CAUTION

- IF THE WIRE ROPE IS NOT INSTALLED FOR THE CORRECT DRUM ROTATION, THE WINCH BRAKE VALVE WILL NOT HOLD THE LOAD.



CAUTION

- THERE MUST ALWAYS BE AT LEAST [5] DEAD WRAPS OF WIRE ROPE ON THE WINCH DRUM WHILE UNDER LOAD.

NOTE: SOME WINCHES MAY BE SUPPLIED WITH A HEX NUT IN LIEU OF A WEDGE FOR INSTALLING THE WIRE ROPE.



VENCO VENTURO INDUSTRIES LLC
CINCINNATI, OHIO

TITLE

WIRE ROPE INSTALLTN

DATE

02-21-14K

SECTION

C200

ET6K & LARGER CRANES

SUPERSEDES

12-26-13J

22245

SECTION 300

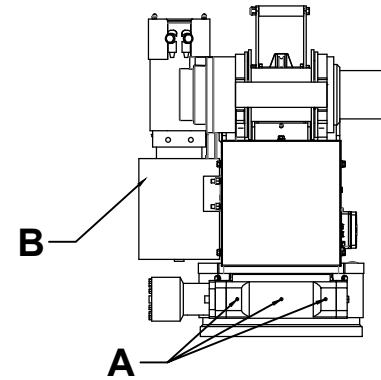
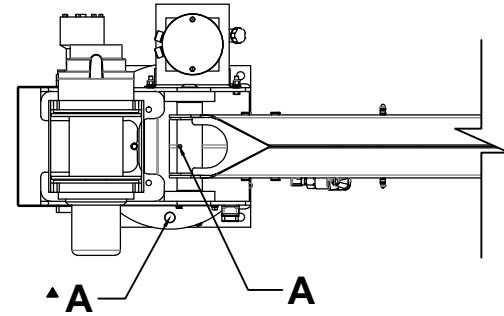
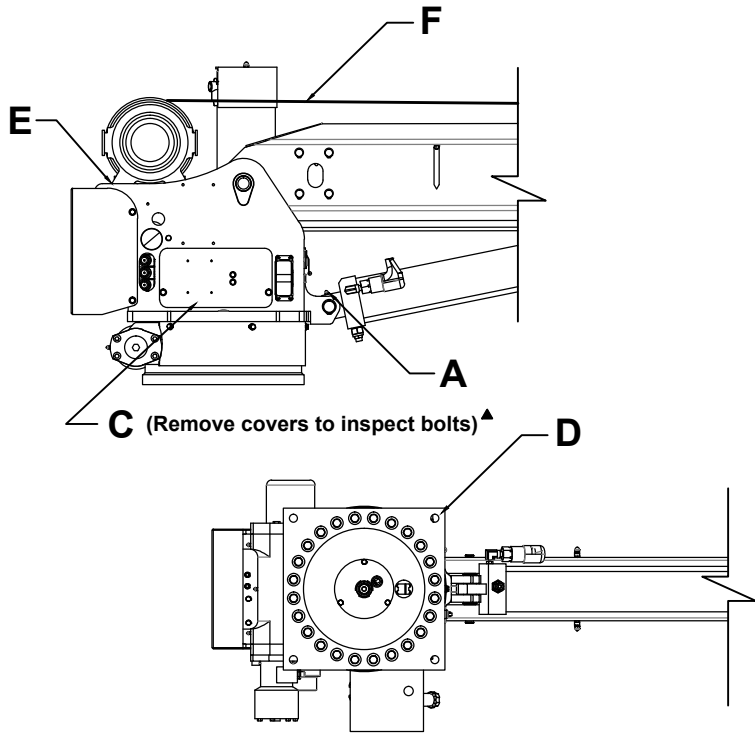
MAINTENANCE

&

SERVICE



VENCO VENTURO INDUSTRIES LLC
CINCINNATI, OHIO



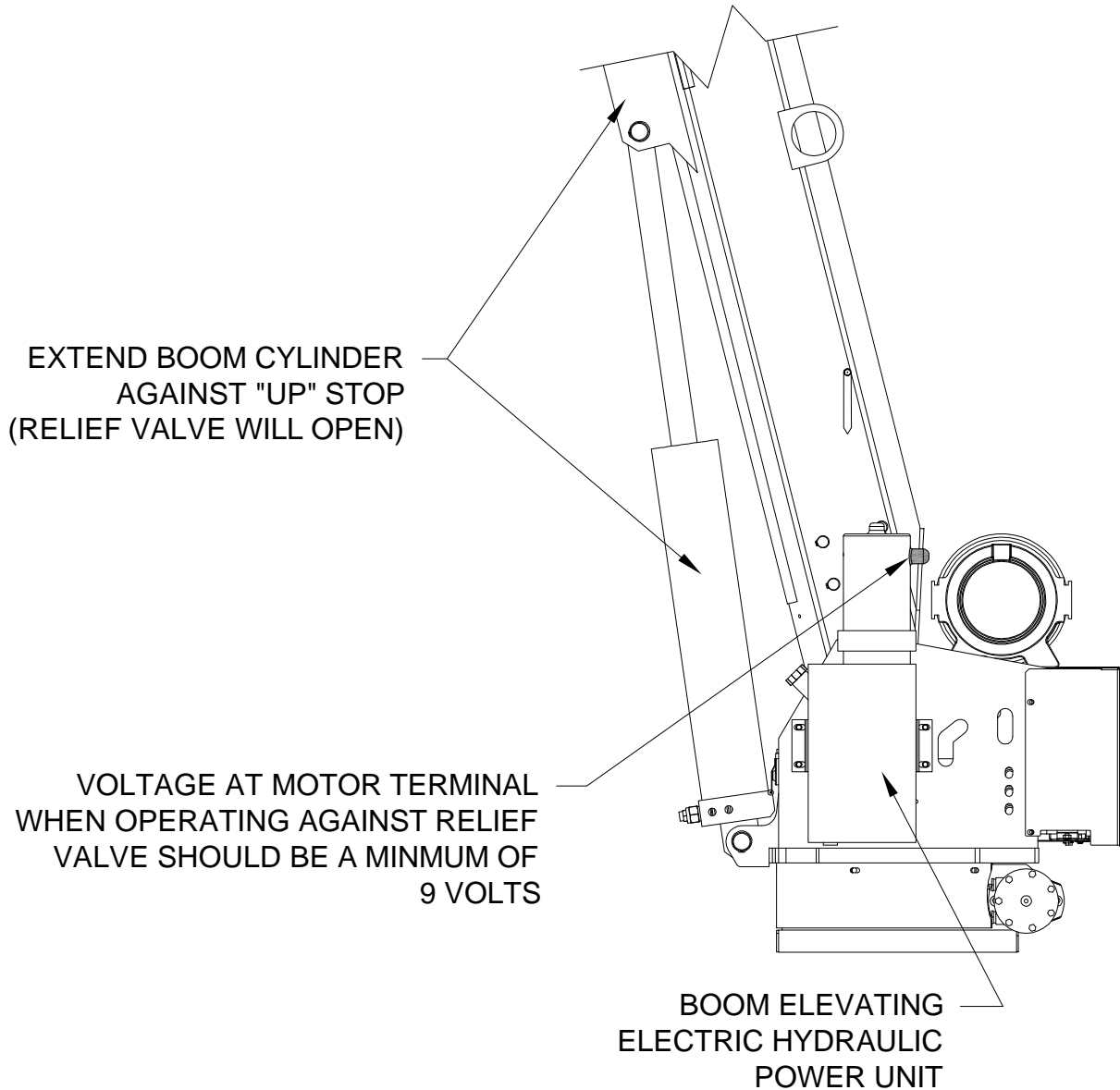
Location	Service Required	Note	Service Interval
A	Grease fitting with pressure grease gun	<i>USE ELECTRICALLY CONDUCTIVE GREASE</i> Failure to use electrically conductive grease may result in intermittent operation of the crane. Example: Fuch's Renolit Aluminum Complex Grease P/N 155250-2 (or equivalent).	Time of Truck Service
B	Fill oil reservoir to "Oil Level" mark with boom down (elevation cylinder retracted)	Use Dextron III ATF or ISO Grade AW 46 for ambient temperatures between -22°F and 30°F Use ISO Grade 68 or equivalent for ambient temperatures between 10°F and 125°F	Time of Truck Service and as required by changes in the ambient temperature range
▲ C	Check torque of upper slew-drive bolts	Bolts should be torqued to 60 ft-lbs	Time of Truck Service
D	Check torque of base mounting bolts	Bolts should be torqued to 300 ft-lbs	Time of Truck Service
E	Check torque of winch mounting bolts	Bolts should be torqued to 35 ft-lbs	Time of Truck Service
F	Check wire rope and hook	Rope should be free of kinks and fraying	Prior to Use (Daily) ▲



TITLE	DATE	SECTION
LUBRICATION & MAINTENANCE CHART	01-29-25B	C300
ET25/30/36KX	SUPERSEDES	
	01-30-23B	24407

MINIMUM VOLTAGE TEST

ONE OF THE MOST COMMON ELECTRICAL PROBLEMS ENCOUNTERED ON 12 VOLT ELECTRICAL CRANES IS INSUFFICIENT VOLTAGE AT THE MOTOR WHEN DRAWING THE LARGE CURRENT THAT EXISTS AT FULL LOAD



MANUFACTURING, INC.
CINCINNATI, OHIO

TITLE
MINIMUM VOLTAGE TEST
ET SERIES CRANES

DATE
12-26-13G
SUPERSEDES
10-05-09F

SECTION
C300
19963

WIRE ROPE ASSEMBLY

WIRE ROPE:

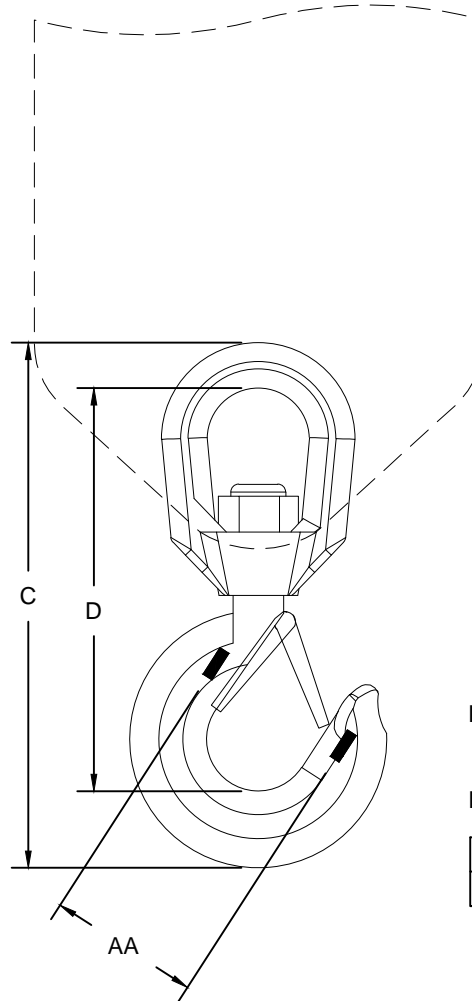
5/16" DIA, 80' LONG, HIGH-STRENGTH

▲ GAC 7X19 XXIP-RHRL-IWRC, SB 9800 LBS



TERMINATES IN THIMBLE
NO HOOK

LOAD BLOCK ASSEMBLY



LOAD BLOCK HOOK:

RATING: 3 TONNE (6615 LBS)

DIMENSIONS:

COLOR	BRAND	AA	C	D
GOLD	CROSBY	2.00"	8.25"	6.50"



VENCO VENTURO INDUSTRIES LLC
CINCINNATI, OHIO

TITLE

WIRE ROPE & HOOK SPECIFICATIONS

ET36KX

DATE

05-09-16A

SUPERSEDES

08-18-11

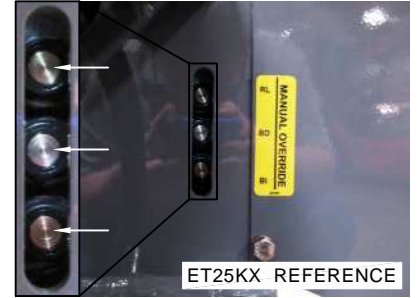
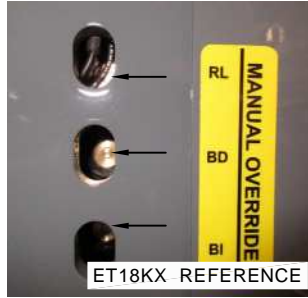
SECTION

C300

23229

MANUAL OVERRIDE INSTRUCTIONS
ET NON-PROPRIONAL SERIES CRANES ▲

!! READ ALL INSTRUCTIONS BEFORE PERFORMING MANUAL OVERRIDE PROCEDURES !!



Each valve station incorporates [2] hydraulic ports and [2] coils. Manual override shafts are located in the center of the coils (see figure 1). Manual override decals are placed on each crane near the valve assembly. These decals provide a visual aid that helps the operator determine the function designations (Reference figure 2).

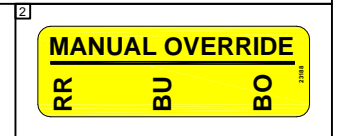
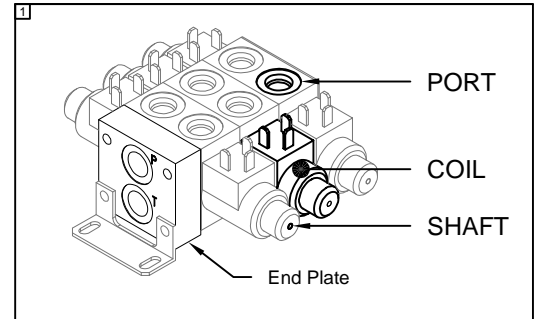
2-STATION FUNCTIONS:

RR = Rot. Right RL = Rot. Left
BU = Boom Up BD = Boom Down

3-STATION FUNCTIONS include previous functions, plus:

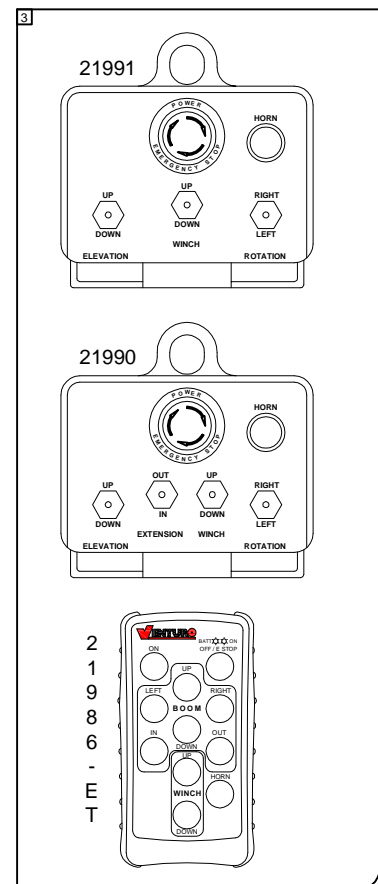
BI = Boom In BO = Boom Out

ALWAYS BE SURE TO CHECK HYDRAULIC OIL LEVEL BEFORE PROCEEDING. IT IS RECOMMENDED TO REMOVE ANY ITEM(S) THAT MAY INTERFERE WITH OPERATING THE CRANE MANUALLY. IF POSSIBLE, STRAPS AND/OR HARNESSSES SHOULD BE REMOVED BEFORE OPERATING A CRANE IN MANUAL OVERRIDE !!



Procedure:

1. Turn Master disconnect switch to "ON"
2. Power up the pendant / radio
 - 2.1. PENDANT - twist EMERGENCY STOP button clockwise
 - 2.2. RADIO - Press green ON button
3. On the crane, reference the function you wish to perform using the manual override decal
4. Using a tool with a diameter of 1/8" or smaller, press the shaft inward and hold
5. Reference the functions listed on your pendant or radio (see figure 3)
6. Press the switch or button for the same function
7. If you need to change function,
 - 7.1. Release switch or button
 - 7.2. Remove tool from shaft
 - 7.3. Go to step 3



For assistance, please feel free to contact Technical Support at 800-226-2238.



VENCO VENTURO INDUSTRIES LLC
CINCINNATI, OHIO

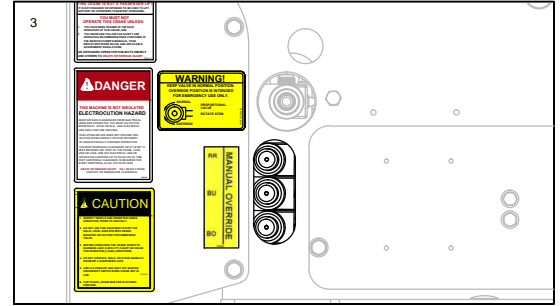
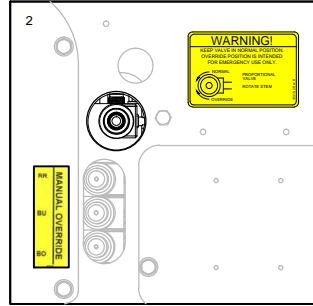
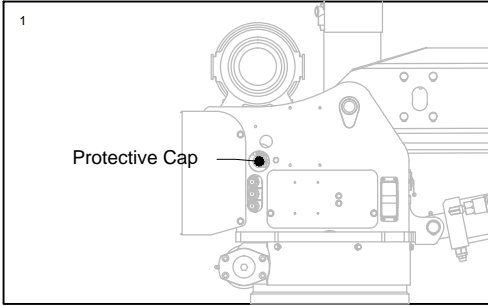
TITLE
MAN. OVERRIDE INSTR.
ET NON-PROP CRANES

DATE
03-08-19A
SUPERSEDES
02-09-17

SECTION
C200
23084

MANUAL OVERRIDE INSTRUCTIONS
ET PROPRTIONAL SERIES CRANES

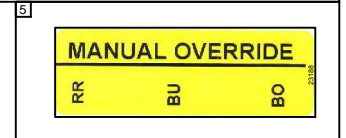
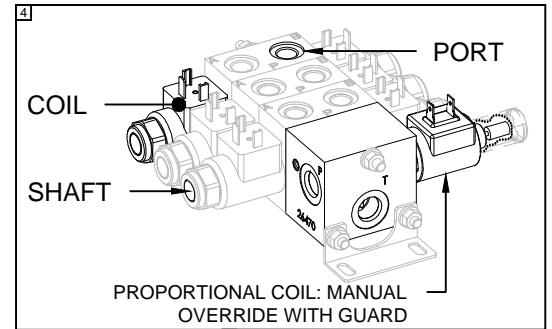
!! READ ALL INSTRUCTIONS BEFORE PERFORMING MANUAL OVERRIDE PROCEDURES !!



Each valve station incorporates [2] hydraulic ports and [2] coils. Manual override shafts are located in the center of the coils (see figure 4). Manual override decals are placed on each crane near the valve assembly. These decals provide a visual aid that helps the operator determine the function designations (Reference figure 3 & 5).

3-STATION FUNCTIONS:

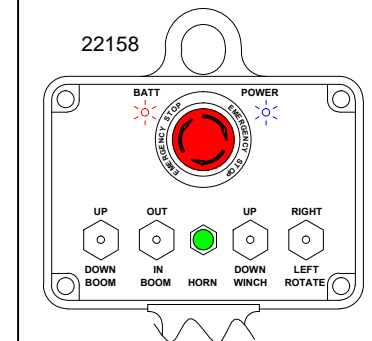
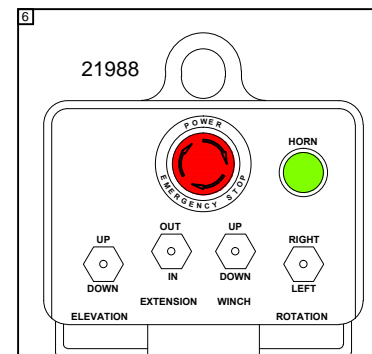
- RR = Rot. Right RL = Rot. Left
- BU = Boom Up BD = Boom Down
- BI = Boom In BO = Boom Out



ALWAYS BE SURE TO CHECK HYDRAULIC OIL LEVEL BEFORE PROCEEDING. IT IS RECOMMENDED TO REMOVE ANY ITEM(S) THAT MAY INTERFERE WITH OPERATING THE CRANE MANUALLY. IF POSSIBLE, STRAPS AND/OR HARNESSSES SHOULD BE REMOVED BEFORE OPERATING A CRANE IN MANUAL OVERRIDE !!

Procedure:

1. Turn Master disconnect switch to "ON"
2. Remove Protective cap (see figure 1)
3. Rotate Valve Stem Clockwise to close (see figure 2)
4. Power up the pendant / radio
 - 4.1. Twist EMERGENCY STOP button clockwise
5. On the crane, reference the function you wish to perform using the manual override decal (see figure 3)
6. Using a tool with a diameter of 1/8" or smaller, press the shaft inward and hold
7. Reference the functions listed on your pendant or radio (see figure 6)
8. Press the switch or button for the same function
9. If you need to change function,
 - 9.1. Release switch or button
 - 9.2. Remove tool from shaft
 - 9.3. Go to step 5



For assistance, please feel free to contact Technical Support at 800-226-2238.

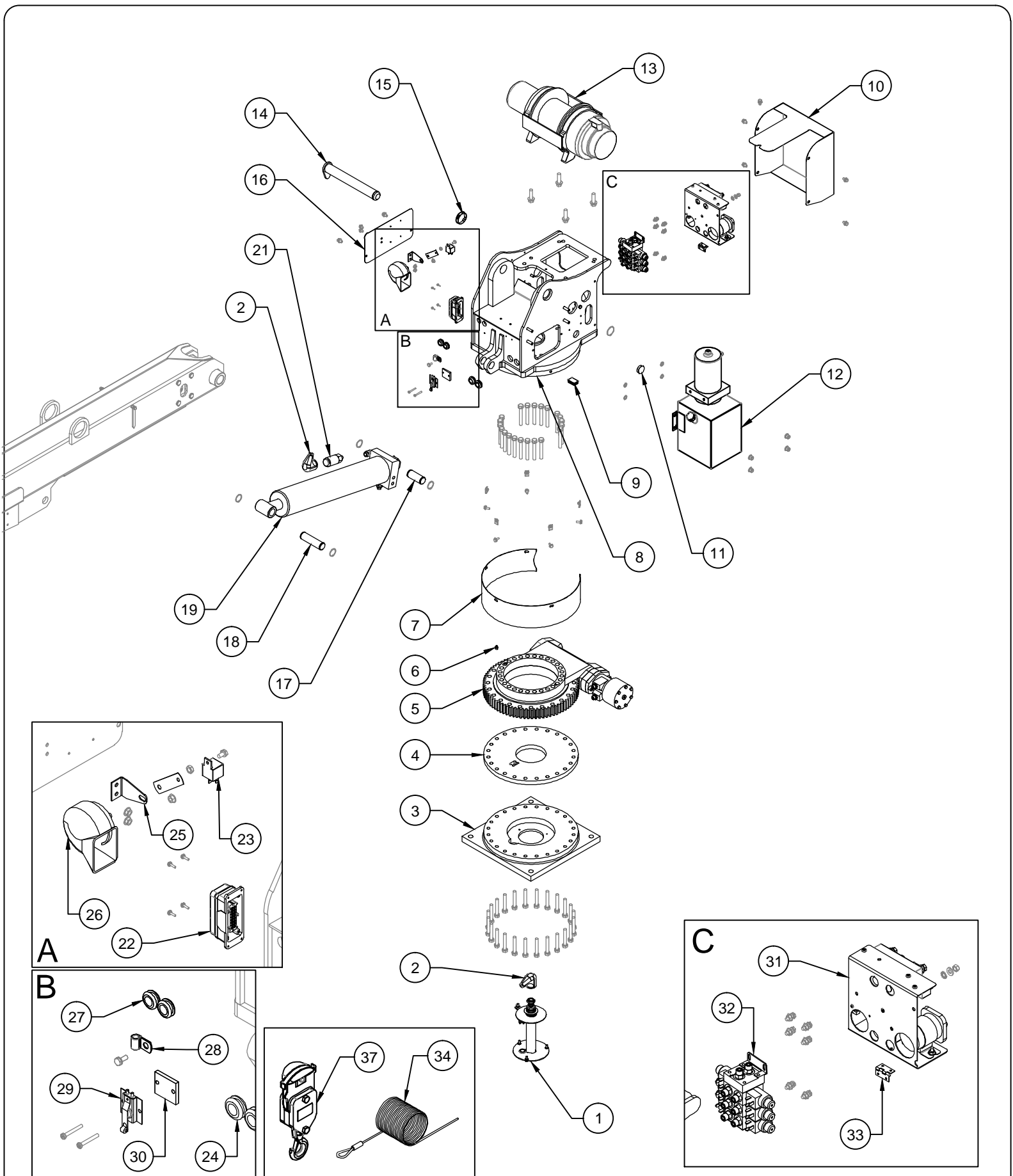
TITLE	DATE	SECTION
MAN. OVERRIDE INSTR.	09-16-19	C200
ET25/30/36KXP	SUPERSEDES	24415
	-	

SECTION 400

REPLACEMENT PARTS



VENCO VENTURO INDUSTRIES LLC
CINCINNATI, OHIO



ET36KX SHOWN FOR REFERENCE



VENCO VENTURO INDUSTRIES LLC
CINCINNATI, OHIO

TITLE
RPLCMT PARTS DWG - MECH
ET25/30/36KX(P) SERIES

DATE
11-17-23E
SUPERSEDES
03-15-23D

SECTION
C400
24392

REPLACEMENT PARTS LIST - ET36KX(P) MECH

ITEM NO.	ET36KX QTY.	ET36KXP QTY.	PART NO.	DESCRIPTION
1	1	1	16780-2P25	SWIVEL TERMINAL ASS'Y.
2	2	2	17012	BOOT COVER
3	1	1	27520m	WELDED ASS'Y.: BASE
4	1	1	27520h	SPACER
5	1	1	21418	SLEWING RING
6	1	1	01327NPT	GREASE FITTING, 1/8-27 NPT
7	1	1	27186	COVER; SLEWING RING
8	1	1	21435	WELDED ASS'Y.: HOUSING
9	1	1	28005	PLUG; RECTANGULAR, HOUSING BASE PLATE
10	1	1	27600	COVER; REAR, MECHANISM
11	1	1	19122	HOLE PLUG; 1-1/4"
12	1	1	26489	HYDRAULIC POWER UNIT
13	1	1	19813	ELECTRIC WINCH
14	1	1	21012	PIVOT PIN, MAIN BOOM PIVOT
15	1	1	26492	PLUG; Ø2", LOCKING
16	1	1	27000	PLATE, SIDE COVER
17	1	1	18768	PIVOT PIN, ELEVATION CYLINDER
18	1	1	18761	PIVOT PIN, ELEVATION CYLINDER
19	1	1	21752	ELEVATION CYLINDER
20	-	-	-	-
21	1	1	17460-2900	PRESSURE SWITCH, 2900 PSI
22	1	1	22480	SOCKET ASS'Y.
23	1	1	22739	RELAY, 12V
24	2	2	20890	GROMMET; RUBBER, Ø1" X 1/4" X 11/16"
25	1	1	22000	BRACKET; HORN
26	1	1	21948	HORN
27	2	2	20889	GROMMET; RUBBER, Ø7/8" X 1/4" X 5/8"
28	1	1	19269	CLAMP, CABLE, 1/4"
29	1	1	19904	BOOM SHUT OFF SWITCH ASS'Y.
30	1	1	20896	UHMW SPACER - TOP POSIT SWITCH
31	1	1	23154-4	SUB-ASSY; ELECTRICAL CMPNNT
32	1	-	21614	VALVE BLOCK; 4-3, 3-SPOOL
	-	1	26479	VALVE BLK ASSY, 3-SPOOL W/ PROP VALVE
33	1	1	23826	HINGE
34	1	1	27669-5/16-80	WIRE ROPE; 5/16 X 80 FT HIGH-STRENGTH
35	1	1	27604	WELDED ASS'Y; MOTOR COVER
36	2	2	28380	SPACER; STAND-OFF, 1/4-20 X 1", 1/2" HEX
▲ 37	1	1	27667-1	ASS'Y; LOAD BLOCK, 6000 LBS MAX RATING

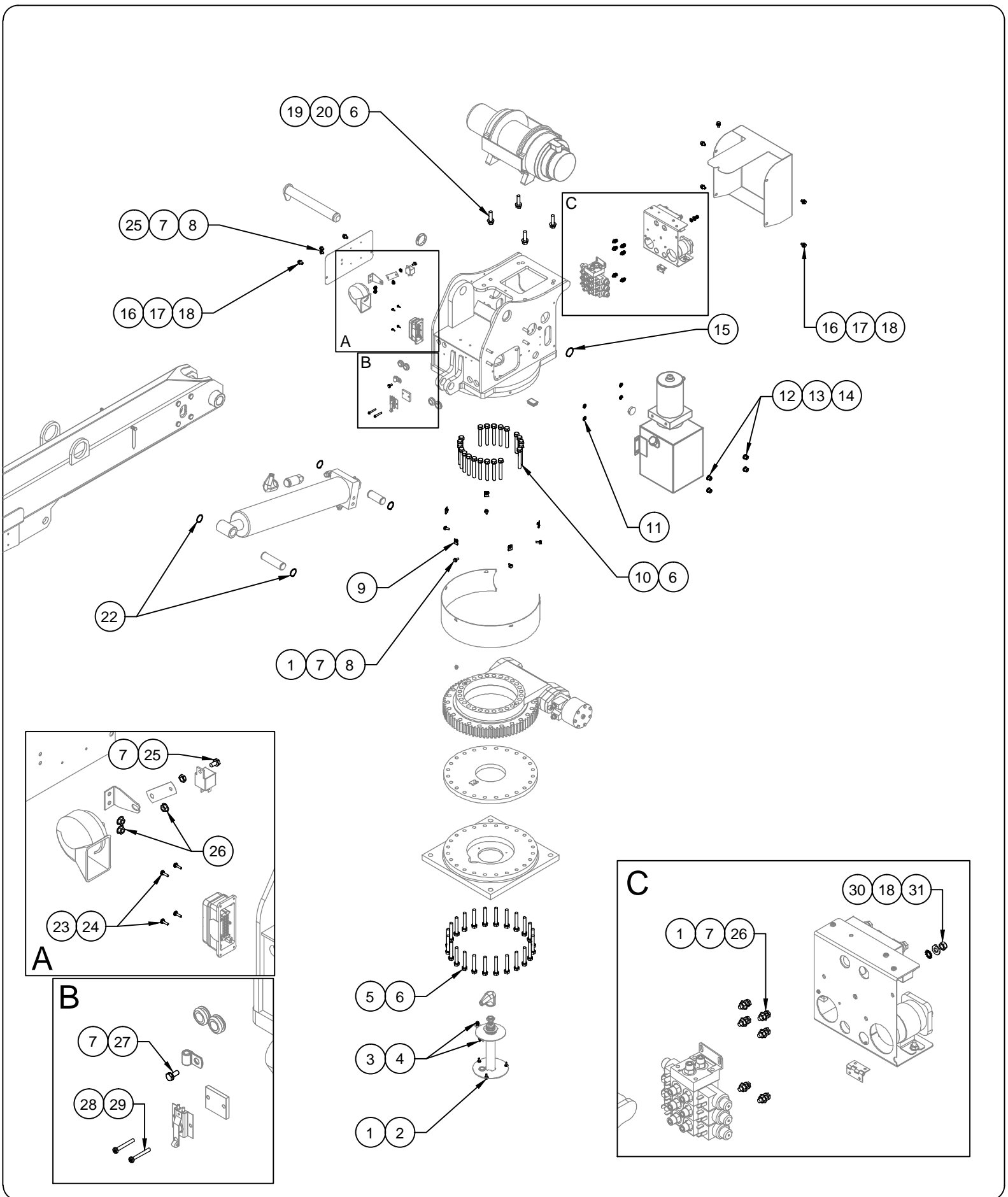


VENCO VENTURO INDUSTRIES LLC
CINCINNATI, OHIO

TITLE
RPLCMT PARTS LIST- MECH
ET36KX(P) SERIES CRANES

DATE
11-17-23F
SUPERSEDES
11-01-23E

SECTION
C400
24395



VENCO VENTURO INDUSTRIES LLC
CINCINNATI, OHIO

TITLE
RPLCMT HW DWG - MECH
ET25/30/36KX(P) SERIES

DATE
03-15-23C
SUPERSEDES
09-28-22B

SECTION
C400
24396

REPLACEMENT H/W LIST - ET25/30/36KX(P) MECH

ITEM NO.	QTY.	PART NO.	DESCRIPTION
1	14	!HHCS02520075S	HEX HEAD CAP SCREW, 1/4-20 X .75 LG, STAINLESS
2	6	!LWSH-025-STAR-SS	LOCK WSHR, 1/4, EXT STAR , STAINLESS STEEL
3	2	!HHCS03118075-B	HHCS; 5/16-18 X 3/4, BRASS
4	2	!HNUT-03118-B	HEX NUT; 5/16-18, BRASS
5	24	!HHCSM12175080-8.8	HEX HEAD CAP SCREW; 12MM-1.75MM X 80MM LG, GR. 8.8
6	45	!LWSH-M12-8.8	LOCK WASHER; M12, GRADE 8.8
7	15	!LWSH-025S	LOCK WASHER 1/4 S/S
8	7	!FWSH-025S	FLAT WASHER 1/4 S/S
9	5	!UNUT-02520-LKG	U-NUT; 1/4-20, LCKNG TYPE
10	21	!HHCSM12175090-8.8	HHCS; 12MM-1.75 X 90MM GR. 8.8, ZINC
11	4	!LWSH-038-STAR	LOCK WSHR; 3/8, GR. 5, ZINC, X-TOOTH
12	4	!FWSH-038SAE	WASHER; FLAT, 3/8 SAE, ZNC PLTD
13	4	!LWSH-038	LOCK WSHR; 3/8, GR. 5, ZINC
14	4	!LNUT-03816	LOCK NUT; 3/8-16, GR. 5, ZINC, NYL-NSRT
15	1	!SRNG-150	SNAP RING FOR 1.5 SHAFT, ZINC PLATED
16	7	!HHCS03118063S	HEX HEAD CAP SCREW, 5/16-18 X 5/8 LG, STAINLESS
17	7	!LWSH-031S	LOCK WASHER 5/16 S/S
18	7	!FWSH-031S	FLAT WASHER 5/16 S/S
19	4	25921	SHCS; M12-175 X 50MM, GR. 12.9
20	4	!FWSH-M12	WASHER; FLAT, M12
21	-	-	-
22	4	!SRNG-125	SNAP RING 1-1/4 IN - PLATED
23	4	!SHPMS#0832050S	SLOT HEAD, PAN, MACH SCREW #8-32 X 1/2 LG STAINLESS
24	4	!LWSH-#08S	LOCK WASHER, #8 STAINLESS
25	1	!HHCS02520050S	HEX HEAD CAP SCREW, 1/4-20 X 1/2 LG, STAINLESS
26	9	!FNUT-02520-SS	FLANGE NUT; 1/4-20, STAINLESS STEEL
27	7	!HHCS02520063S	HEX HEAD CAP SCREW, 1/4-20 X 5/8LG, STAINLESS
28	2	!PHPMS#1024150S	PHILLIPS HEAD PAN, MACH SCREW, # 10-24 X 1-1/2LG, S/S
29	2	!LWSH-#10S	LOCK WASHER, #10, STAINLESS
30	1	!LWSH-031-STAR-SS	LOCK WSHR, 5/16 EXT STAR , STAINLESS STEEL
31	1	!HNUT-03118S	HEX NUT 5/16-18 STAINLES S



VENCO VENTURO INDUSTRIES LLC
CINCINNATI, OHIO

TITLE

RPLCMNT HW LIST - MECH

ET25/30/36KX(P) SERIES

DATE

03-15-23C

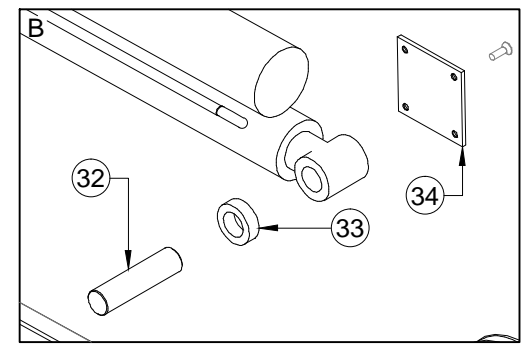
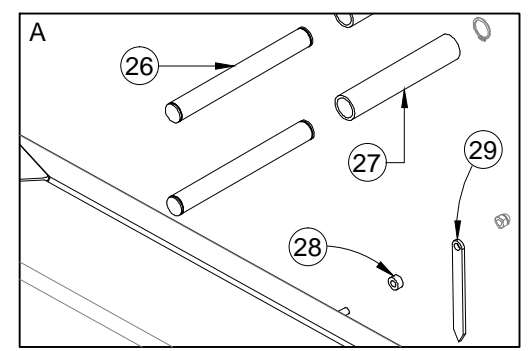
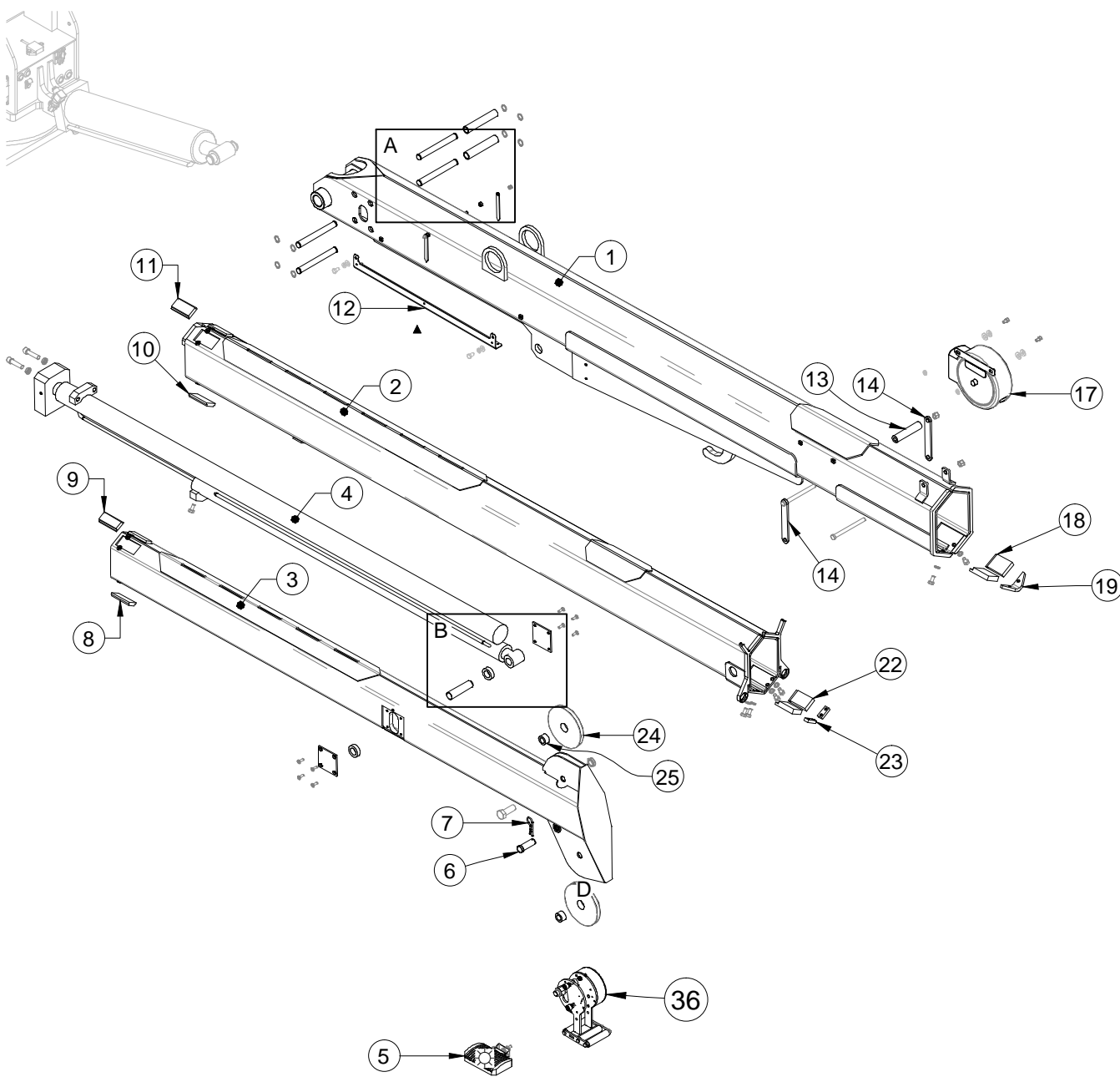
SUPERSEDES

09-28-22B

SECTION

C400

24397



REFERENCE #26972 FOR REPLACEMENT PARTS LIST

☼ ITEM #5 IS OPTIONAL, AND IS NOT INCLUDED WITH STANDARD EQUIPMENT



VENCO VENTURO INDUSTRIES LLC
CINCINNATI, OHIO

TITLE	REPLACEMENT PARTS DWG; 26570 BOOM
TITLE	HT25, ET25/36 SERIES CRANES

DATE	12-05-24B
SUPERSEDES	07-19-24A

SECTION	C400
SECTION	26971

REPLACEMENT PARTS LIST; 26570 BOOM

ITEM	PART NO.	QTY	DESCRIPTION
1	26571	1	WELDED ASSY; PRIMARY BOOM
2	27165	1	WELDED ASSY; SECONDARY BOOM
3	27167	1	WELDED ASSY; TERTIARY BOOM
4	21753	1	EXTENSION CYLINDER
☼ 5	27483	1	ASSY; WORK LIGHT, LED
6	13401-1	1	CLEVIS PIN
7	21-07	1	HAIRPIN COTTER
8	23217-7	2	BOOM PAD; UHMW, 'A', 3.19 x 1.50 x 0.44
9	23217-6	2	BOOM PAD; UHMW, 'A', 3.19 x 1.50 x 0.50
10	23217-9	2	BOOM PAD; UHMW, 'A', 3.19 x 1.75 x 0.44
11	23217-8	2	BOOM PAD; UHMW, 'A', 3.19 x 1.75 x 0.50
12	26940-1	1	HEX BOOM CABLE GUIDE
13	21560	1	ROLLER; UHMW, WIRE ROPE GUIDE
14	21936	2	FLAT MOUNT; WIRE ROPE GUIDE
-	-	-	-
-	-	-	-
17	26577-1-20	1	COMPLETE CORD REEL
18	23217-3	2	BOOM PAD; UHMW, 'B', 3.19 x 2.13 x 0.63
19	23183	1	V-BLOCK SLIDER; W/ CHAMFER
-	-	-	-
-	-	-	-

ITEM	PART NO	QTY	DESCRIPTION
22	23217-10	2	BOOM PAD; UHMW, 'B', 3.19 x 1.75 x 0.63
23	23119	2	RETAINING BLOCK; BEARING
24	27001	2	SHEAVE; POLY CABLE
25	23924-1	2	SPACER; 27001 SHEAVE
26	21497	4	THRUST PIN; EXTENSION CYLINDER
27	21498	2	ROLLER; EXTENSION CYLINDER
28	22490	2	SPACER; BOOM ARROW
29	13459-2	2	BOOM ARROW; 4" LONG
30	-	-	-
31	-	-	-
32	21941	1	PIN; EXTENSION CYLINDER
33	21428	2	BUSHING; 1" BORE x 1-5/8" OD, 1/2"
34	23116	2	PIN BLOCK; REINFORCING
35	-	-	-
36	27469-L-C-00	1	COMPACT A2B ASS'Y
37	-	-	-
38	-	-	-
39	-	-	-
40	-	-	-
41	-	-	-
42	-	-	-

* DOES NOT INCLUDE VLC-SPECIFIC COMPONENTS. PLEASE REFERENCE VLC MANUAL.

REFERENCE #26971 FOR REPLACEMENT PARTS DRAWING

☼ OPTIONAL: NOT INCLUDED WITH STANDARD EQUIPMENT



VENCO VENTURO INDUSTRIES LLC
CINCINNATI, OHIO

TITLE
REPLACEMENT PARTS LIST; 26570 BOOM

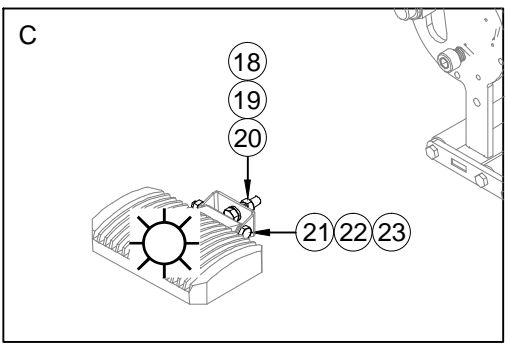
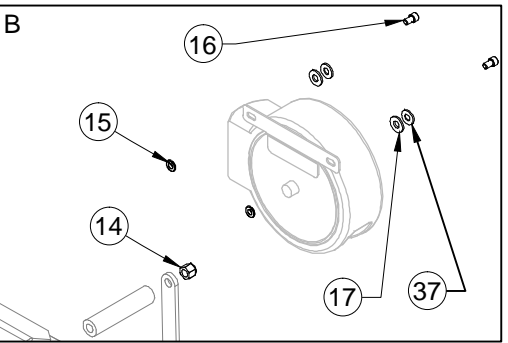
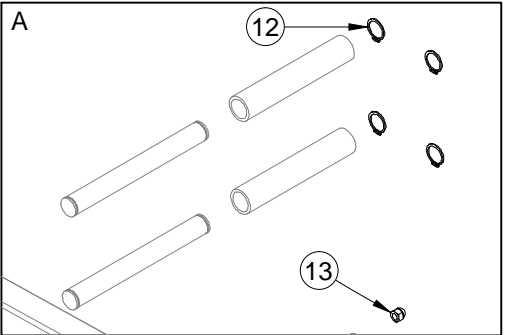
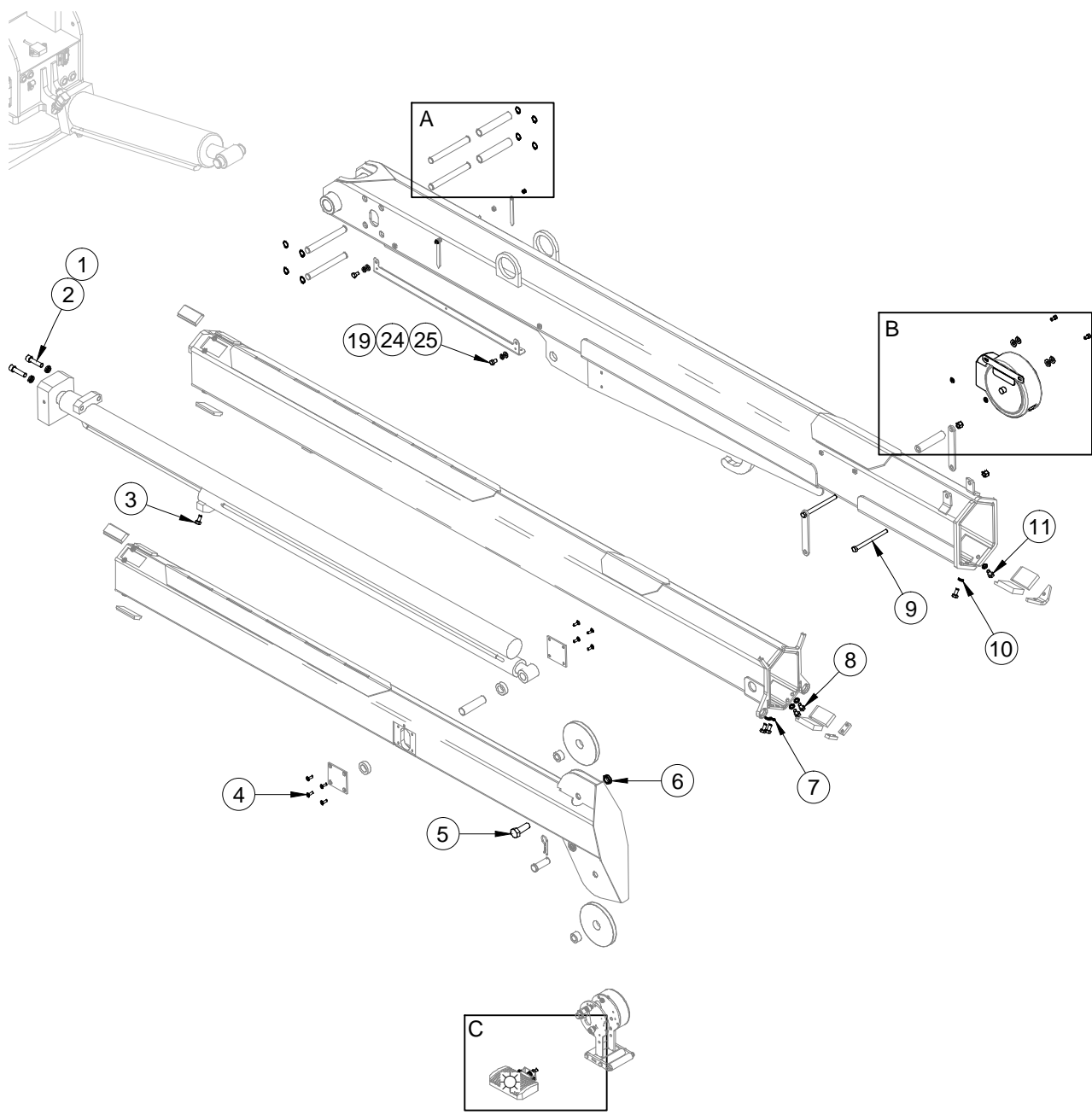
DATE
12-05-24A

SECTION
C400

HT25, ET25/36 SERIES CRANES

SUPERSEDES
07-03-24

26972



REFERENCE #26974 FOR REPLACEMENT FASTENERS LIST

☼ OPTIONAL: NOT INCLUDED WITH STANDARD EQUIPMENT



VENCO VENTURO INDUSTRIES LLC
CINCINNATI, OHIO

TITLE
RPLCMNT FASTENERS DWG; 26570 BOOM

DATE
07-03-24

SECTION
C400

HT25, ET25/36 SERIES CRANES

SUPERSEDES
-

26973

REPLACEMENT FASTENERS LIST; 26570 BOOM, HT25/30 VLC CRANES

ITEM #	PART #	QTY	DESCRIPTION	WHERE-USED
1	!SHCS05013200	2	SHCS; 1/2-13 X 2", GR. 5 ZINC	EXTENSION CYLINDER
2	!LWSH-050-HC	2	LOCK WASHER; 1/2", HI-COLLAR	EXTENSION CYLINDER
▲ 3	!HHCS03816100N	2	HHCS; NYLON PATCH 3/8-16 X 1", GR. 5 ZINC	EXTENSION CYLINDER V-BLOCK
4	!CAC02520063-N	8	CACS; 1/4-20 X 5/8", NYLON PATCH	PIN BLOCK, REINFORCING
5	17059-6	1	SHEAVE AXLE; 1" SHOULDER, S/S	TOP SHEAVE
6	!LNUT-07510	1	LOCK NUT; NYLOC, 3/4-10, GR. 5 ZINC	TOP SHEAVE
7	!LWSH-038	4	LOCK WASHER; 3/8", GR. 5 ZINC	SECONDARY BOOM, PAD BLOCKS
8	!HHCS03816075-5	4	HHCS; 3/8-16 X 3/4", GR. 5 ZINC	SECONDARY BOOM, PAD BLOCKS
9	!HHCS04414550	2	HHCS; 7/16-14 X 5-1/2", GR. 5 ZINC	WIRE ROPE GUIDE
10	!LWSH-038	2	LOCK WASHER; 3/8", GR. 5 ZINC	PRIMARY BOOM, V-BLOCK
11	!HHCS03816075-5	2	HHCS; 3/8-16 X 3/4", GR. 5 ZINC	PRIMARY BOOM, V-BLOCK
12	!SRNG-075	8	SNAP RING; 3/4", PLATED	EXTENSION CYL. THRUST PINS
13	!ANUT02520S	2	ACORN NUT; 1/4-20, S/S	PRIMARY BOOM ARROWS
14	!LNUT-04414	2	LOCK NUT; 7/16-14, NYLON, GR. 5 ZINC	WIRE ROPE GUIDE
15	28198	2	INSULATING SLEEVE WASHER - 5/16"	CORD REEL TO PRIMARY BOOM
16	!SHCS03118063S	2	SHCS; 5/16-18 X 5/8" LG, S/S	CORD REEL TO PRIMARY BOOM
17	01016	2	FIBER WASHER	CORD REEL TO PRIMARY BOOM
☼ 18	!HHCS03118125S	1	HHCS; 5/16-18 X 1-1/4", S/S	LED WORK LIGHT
☼ 19	!LWSH-031S	3	LOCK WASHER; 5/16", S/S	LED WORK LIGHT & CABLE GUIDE
☼ 20	!HNUT-03118S	2	HEX NUT; 5/16-18, S/S	LED WORK LIGHT
☼ 21	!HHCS02520250S	1	HHCS; 1/4-20 X 2-1/2", S/S	LED WORK LIGHT
☼ 22	!LWSH-025S	1	LOCK WASHER; 1/2", S/S	LED WORK LIGHT
☼ 23	!HNUT-02520S	1	HEX NUT; 1/4-20, S/S	LED WORK LIGHT
24	!FWSH-031S	4	FLAT WASHER; 5/16", S/S	CORD REEL & CABLE GUIDE
25	!HHCS003118050S	-	HHCS; 5/16-18 X1/2", S/S	CABLE GUIDE

* DOES NOT INCLUDE VLC-SPECIFIC COMPONENTS. PLEASE REFERENCE VLC MANUAL.

☼ ITEMS #23-28 ARE FOR OPTIONAL COMPONENTS - NOT INCLUDED WITH STANDARD EQUIPMENT

REFERENCE #26973 FOR REPLACEMENT FASTENERS DRAWING

HHCS =HEX HEAD CAP SCREW, PHMS = PHILIPS-HEAD PAN MACHINE SCREW,
SHPMS = SLOT-HEAD PAN MACHINE SCREW, S/S = STAINLESS STEEL



VENCO VENTURO INDUSTRIES LLC
CINCINNATI, OHIO

TITLE

RPLCMNT FASTENERS LIST; 26570 BOOM

HT25, ET25/36 SERIES CRANES

DATE

11-18-24A

SUPERSEDES

07-03-24

SECTION

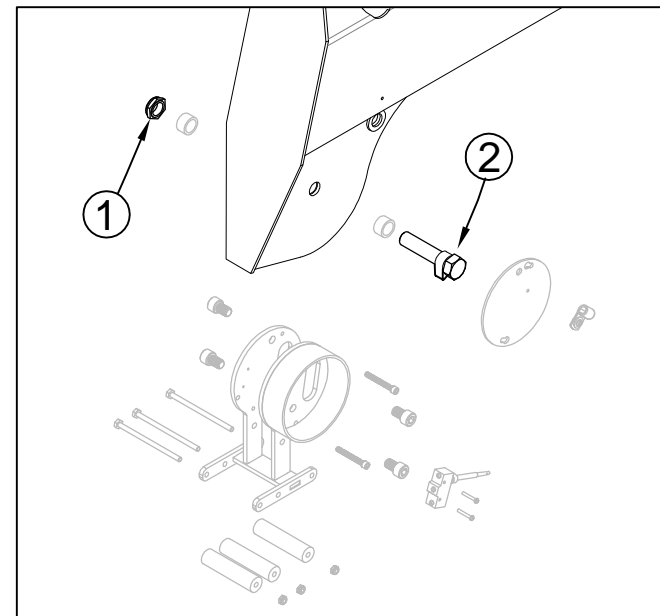
C400

26974

Compact A2B with Stowage Cut-out, Install/Adjustment Instructions (Kit: 28375)

The purpose of the Stowage Cut-out system is to prevent a situation whereby the wire rope is over-tensioned when the load block / wire rope is attached to the stowage hook on the bottom of the primary boom assembly. **However, the OPERATOR is ultimately responsible for ensuring that the wire rope is not over-tensioned when stowing the wire rope and boom assembly into the boom rest.**

1. Initially, apply a light torque to the nyloc full nut Item #1 (P/N !LNUT-07510), such that the axle bolt & cam welded assembly can be rotated / adjusted in the steps below.
2. Position the cam **lobe** Item #2 (P/N 28362) so that it is pointing towards the housing / mechanism
3. Hang the load block on the open stowage hook under the primary boom.
4. Thread the wire rope through the load block in a two-line configuration; the wire rope end / eyelet is pinned in the standard position on the tertiary boom tip
5. Actuate the Winch Up function until the load block and wire rope are **taut** enough to prevent the load block from bouncing during transit, **but do not tighten excessively so as to prevent damage to the wire rope.**
6. Rotate the axle bolt & cam welded assembly towards the housing (clockwise in standard configuration) until the cam lobe makes contact with and trips the wobble micro switch and actuates the A2B function.
7. Once adjusted, torque the nyloc full nut (Item #1) to 100 ft*lbs to prevent further rotational movement of the axle bolt & cam welded assembly.
8. Test the A2B trip-point by slackening and tightening the wire rope / load block assembly by actuating Winch Up/Down. **NOTE: The point at which the A2B trips WILL vary to some degree, depending upon the winch up speed. It is recommended to actuate the winch up function slowly, which will yield a consistent and repeatable result, in terms of wire rope tension when stowed.**



Contact Venturo Tech Support for assistance. 1-800-226-2238 ext. 124



VENCO VENTURO INDUSTRIES LLC
CINCINNATI, OHIO

TITLE
A2B Stowage Cut-out

ET/HT Cranes w/ Comp. A2B

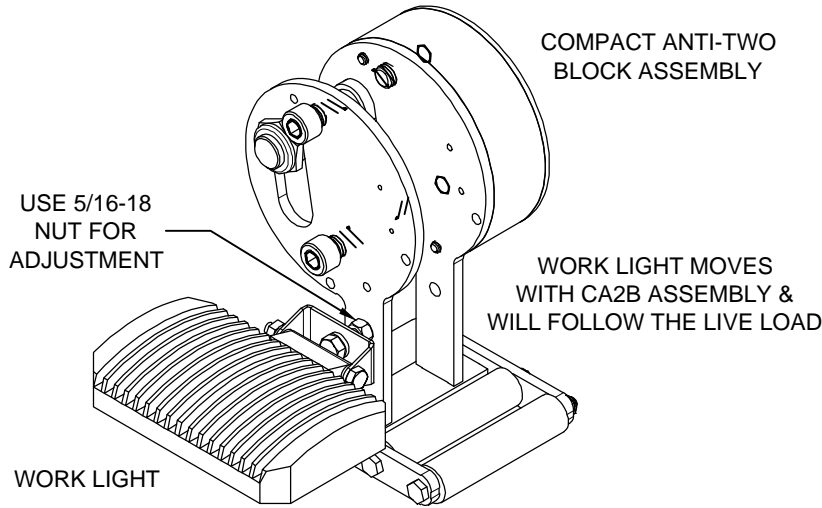
DATE
10-04-21B

SUPERSEDES
08-03-21A

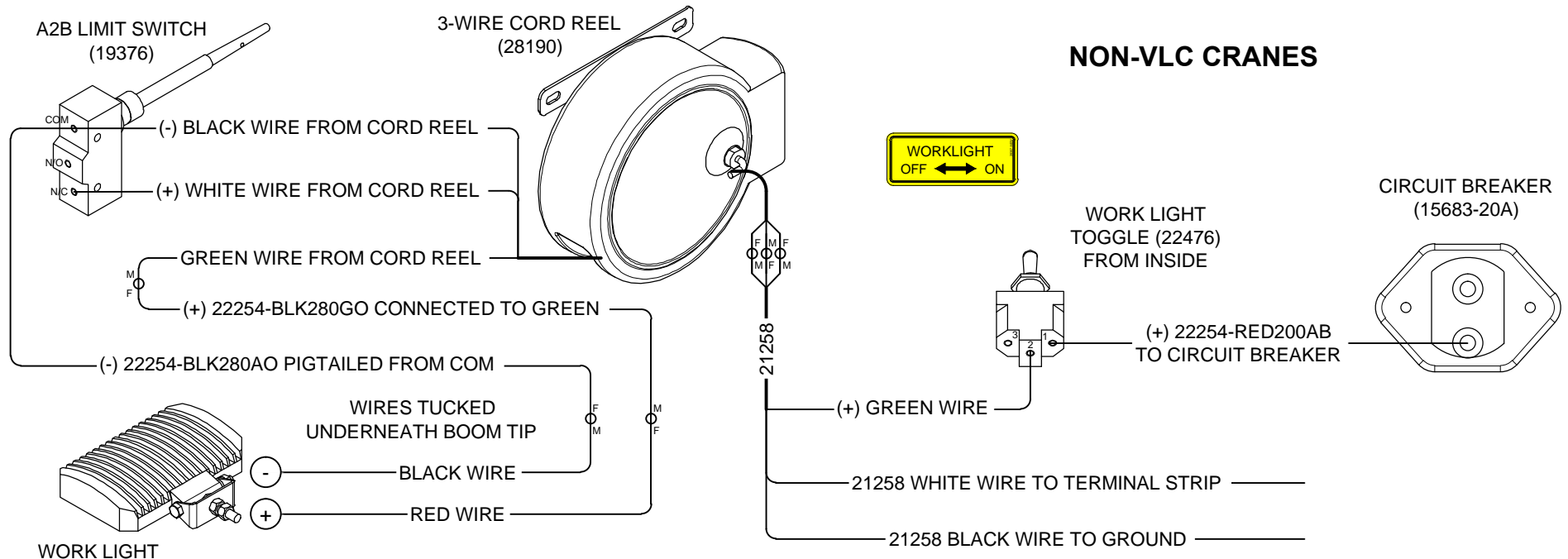
SECTION
C400

28239

WORK LIGHT INSTALLATION: 28240-1 (3-WIRE CORD REEL ON NON-VLC CRANES)



BILL OF MATERIALS		-1	28240
#	DESCRIPTION		PART NUMBER
1	IDWG; WORK LIGHT INSTALLATION, NON-VLC CRANES	1	28199
2	LED WORK LIGHT	1	27483
3	TERMINAL; 16G, FEMALE, QUICK-CONNECT	3	ITERM16G250QCFI
4	TERMINAL; 16G, MALE, QUICK-CONNECT	4	ITERM16G250QCM
5	WIRE ASS'Y; 16G, BLACK, 28", #6 RING - STRIPPED END	1	22254-BLK280AO
6	WIRE ASS'Y; 16G, BLACK, 28", QCF - STRIPPED END	1	22254-BLK280GO
7	TOGGLE SWITCH; ON / OFF, IP-RATED	1	22476
8	HALF-BOOT, FOR IP-RATED TOGGLE SWITCH	1	19793
9	DECAL; ON/OFF, OPTIONAL WORK LIGHT W/ TOGGLE	1	28307
10	WIRE ASS'Y; 16G, RED, 20", #6 RING - #10 RING	1	22254-RED200AB
11	TERMINAL; 16G, #6 RING, CLOSED-END	1	ITERM16G#6RG



VENCO VENTURO INDUSTRIES LLC
CINCINNATI, OHIO

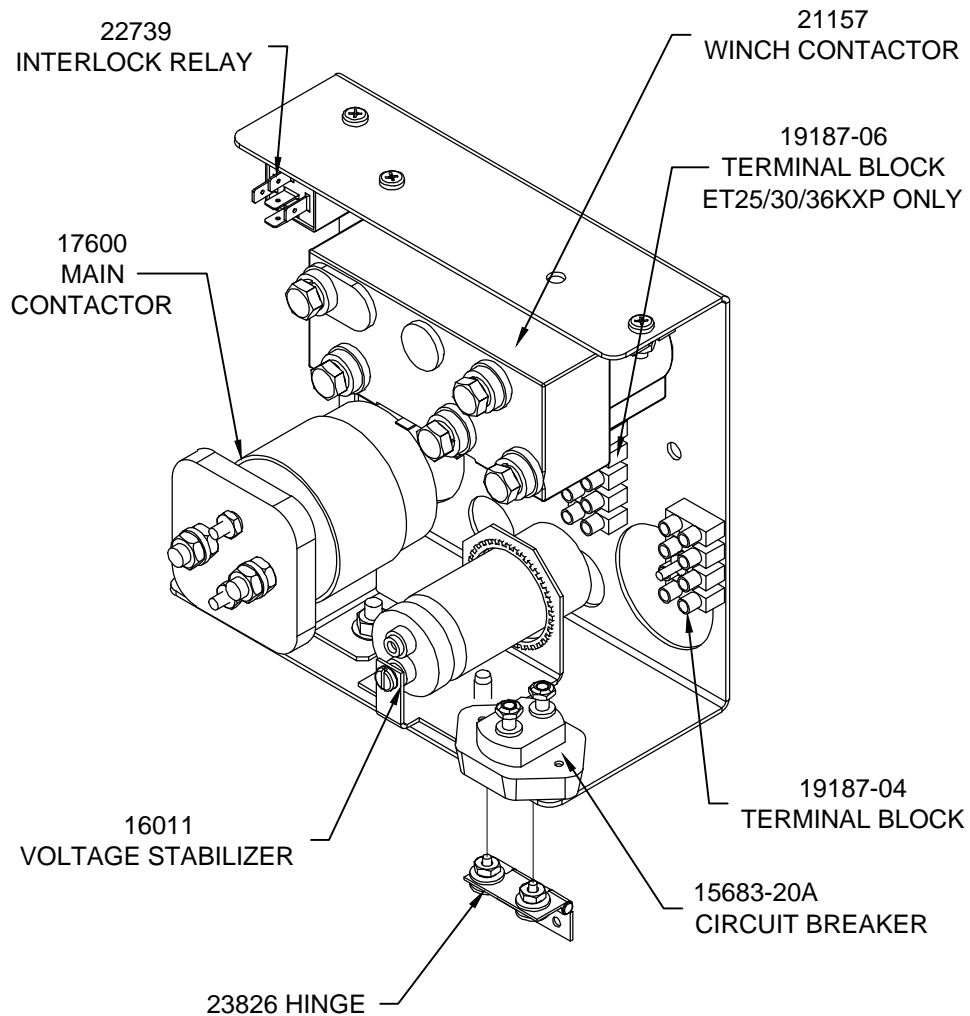
TITLE
WORK LIGHT INSTALLATION, 3-WIRE CORD REEL
NON-VLC CRANES

DATE
02-10-21
SUPERSEDES
-

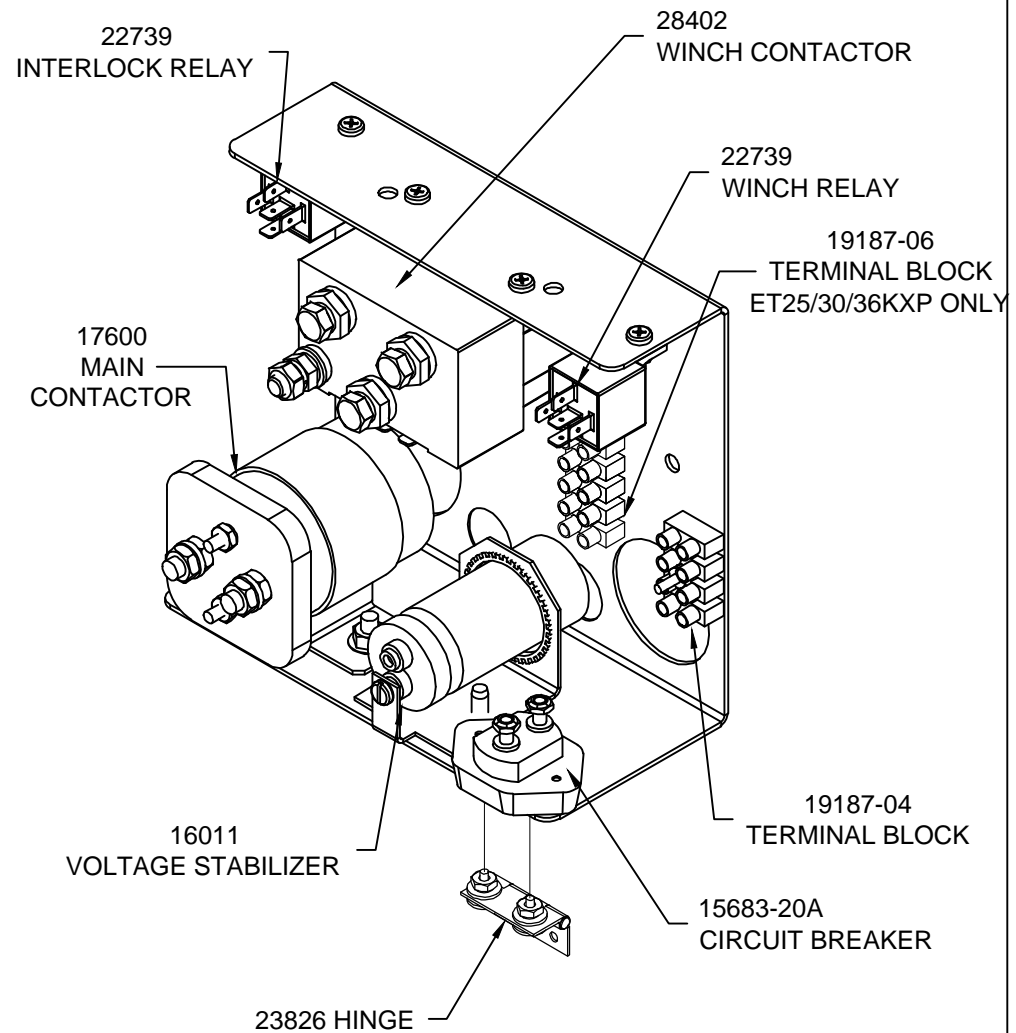
SECTION
C400
28199

23154-4 ELECTRICAL COMPONENT ASSEMBLY

WITH 21157 WINCH CONTACTOR FOR SERIES-WOUND
OR PERMANENT MAGNET MOTOR



WITH 28402 WINCH CONTACTOR AND RELAY
FOR PERMANENT MAGNET MOTOR ONLY



VENCO VENTURO INDUSTRIES LLC
CINCINNATI, OHIO

TITLE

23154-4 ELECTRICAL COMPONENT ASS'Y

ET25/30/36KX(P)

DATE

04-26-22A

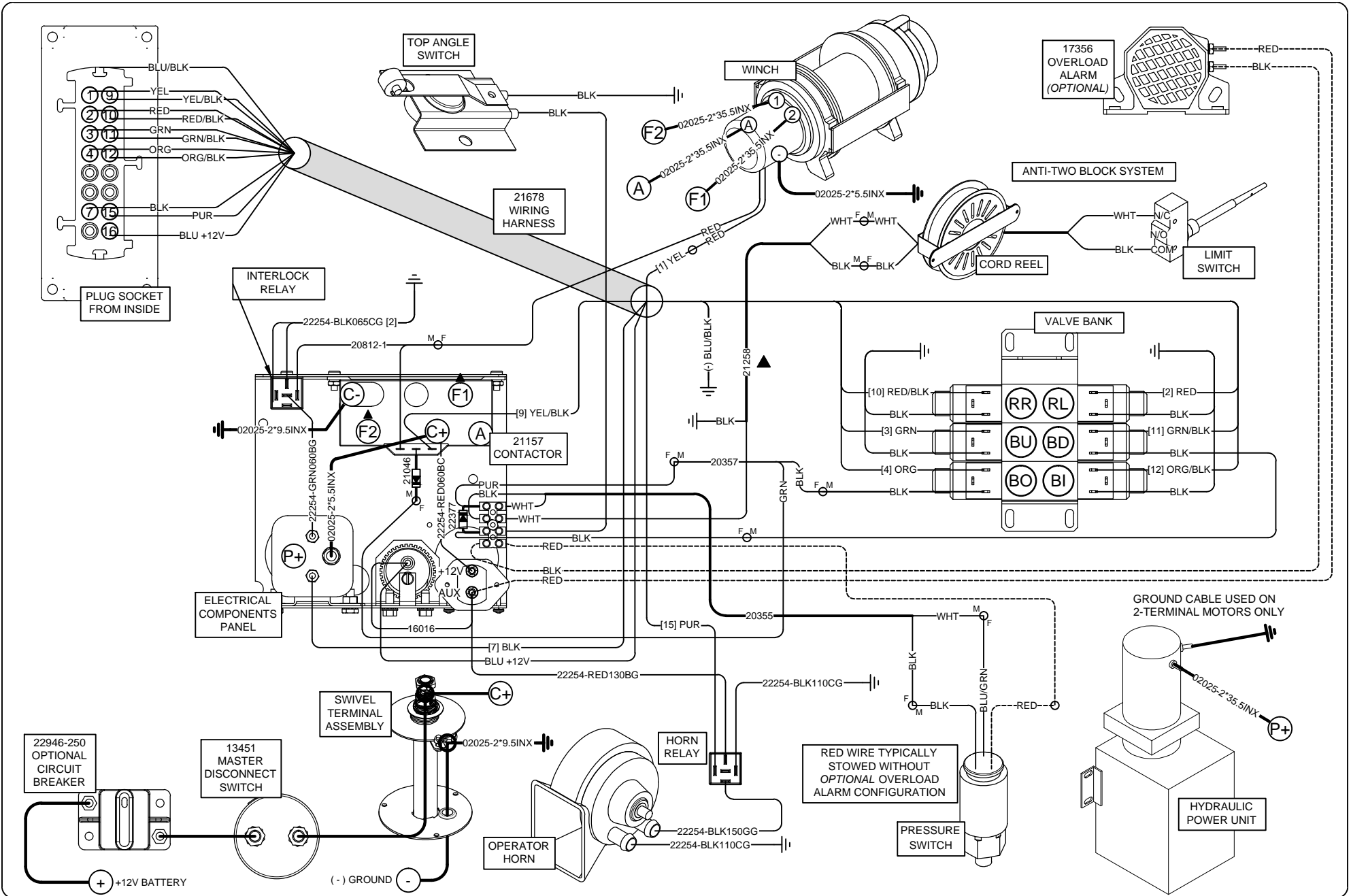
SUPERSEDES

01-07-20

SECTION

C400

28302



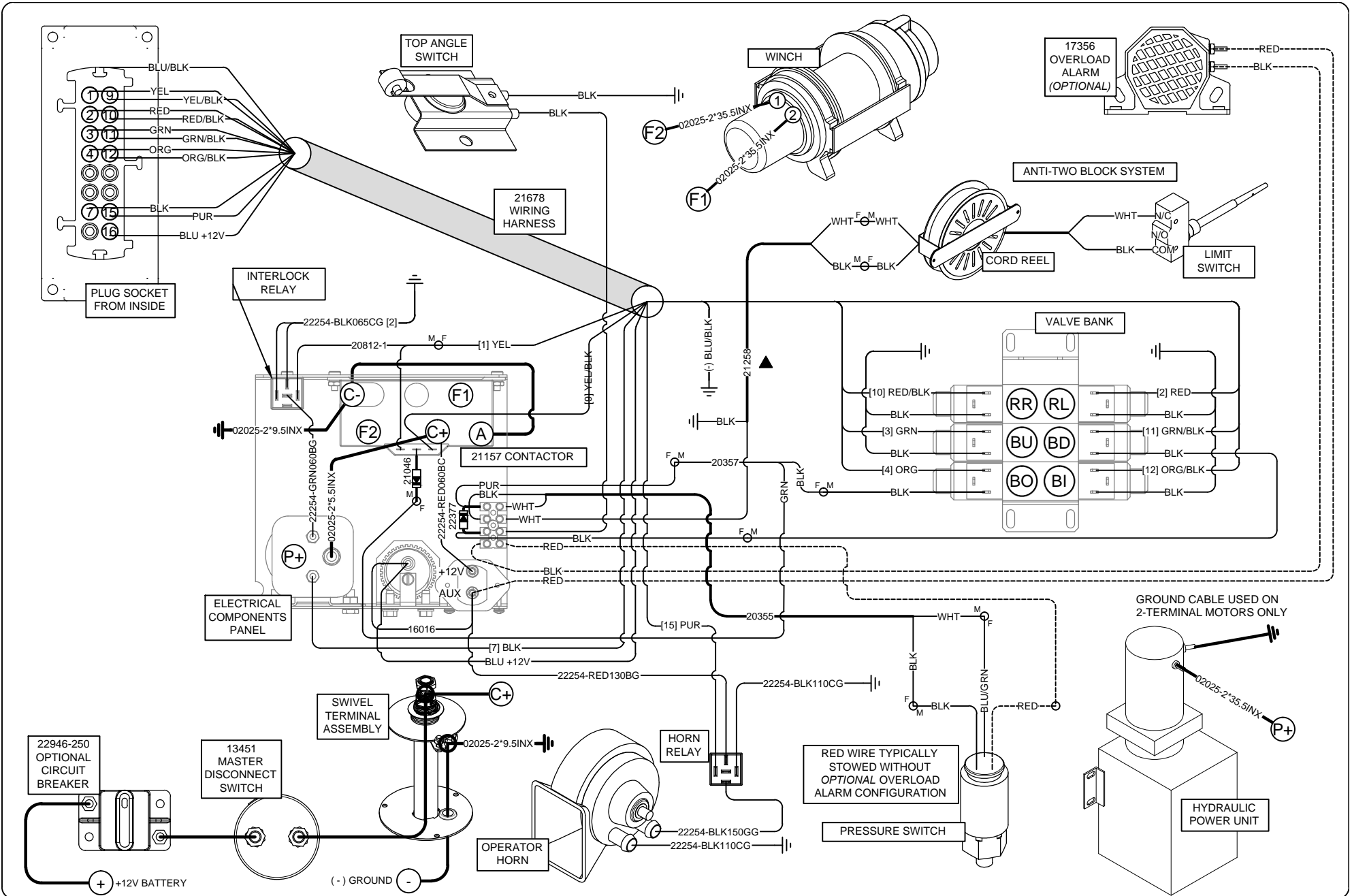
VENCO VENTURO INDUSTRIES LLC
CINCINNATI, OHIO

TITLE
WIRING DIAGRAM
ET25/36
NON-PROPORTIONAL

WINCH: WARN (SERIES WND)
CONTACTOR: 21157

DATE
08-29-23G
SUPERSEDES
05-12-23F

SECTION
C400
26529



VENCO VENTURO INDUSTRIES LLC
CINCINNATI, OHIO

TITLE
WIRING DIAGRAM

ET25/36
NON-PROPORTIONAL

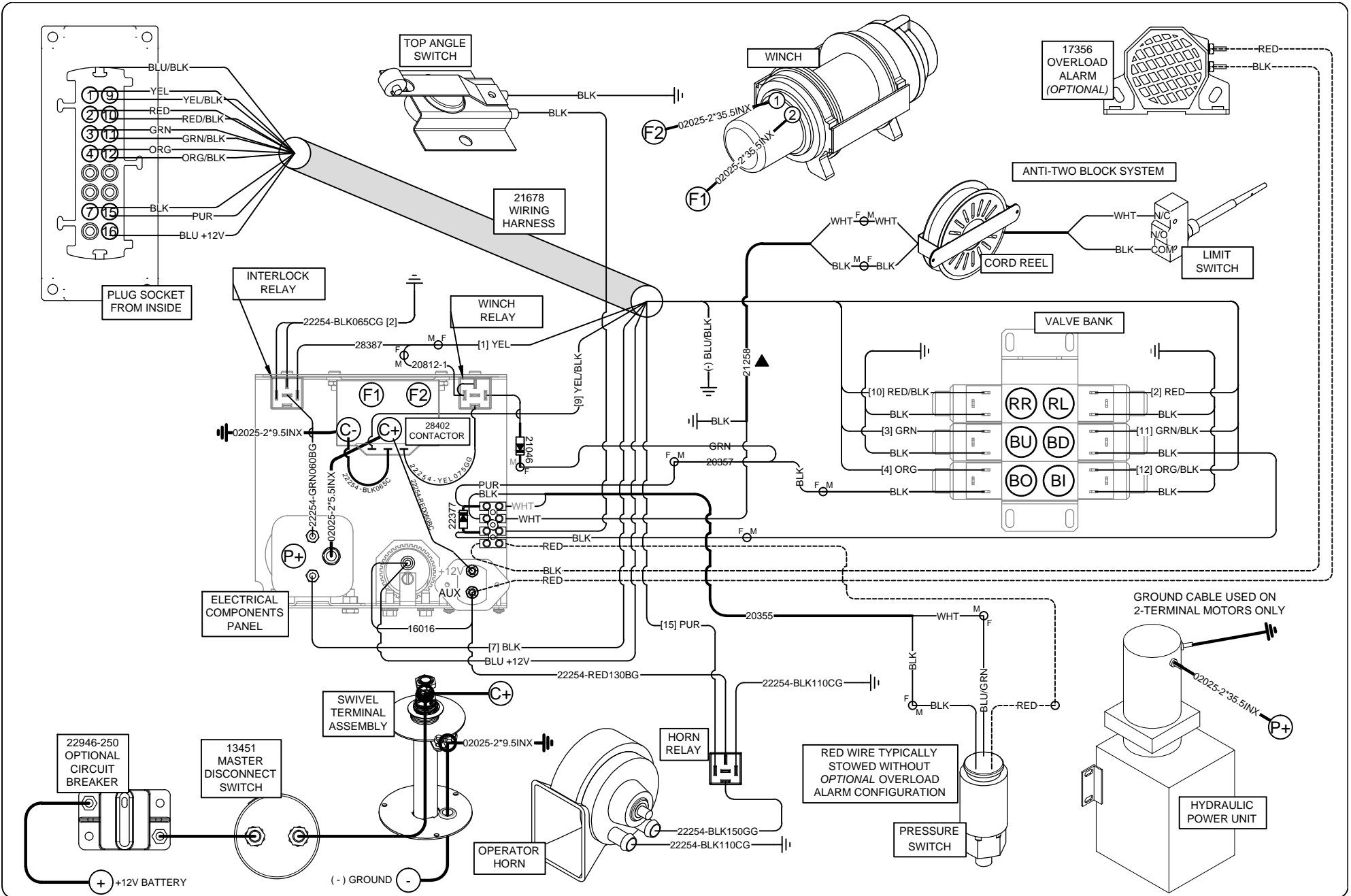
WINCH: COMEUP (PERM MAG)
CONTACTOR: 21157

DATE
08-29-23B

SUPERSEDES
05-12-23A

SECTION
C400

26560



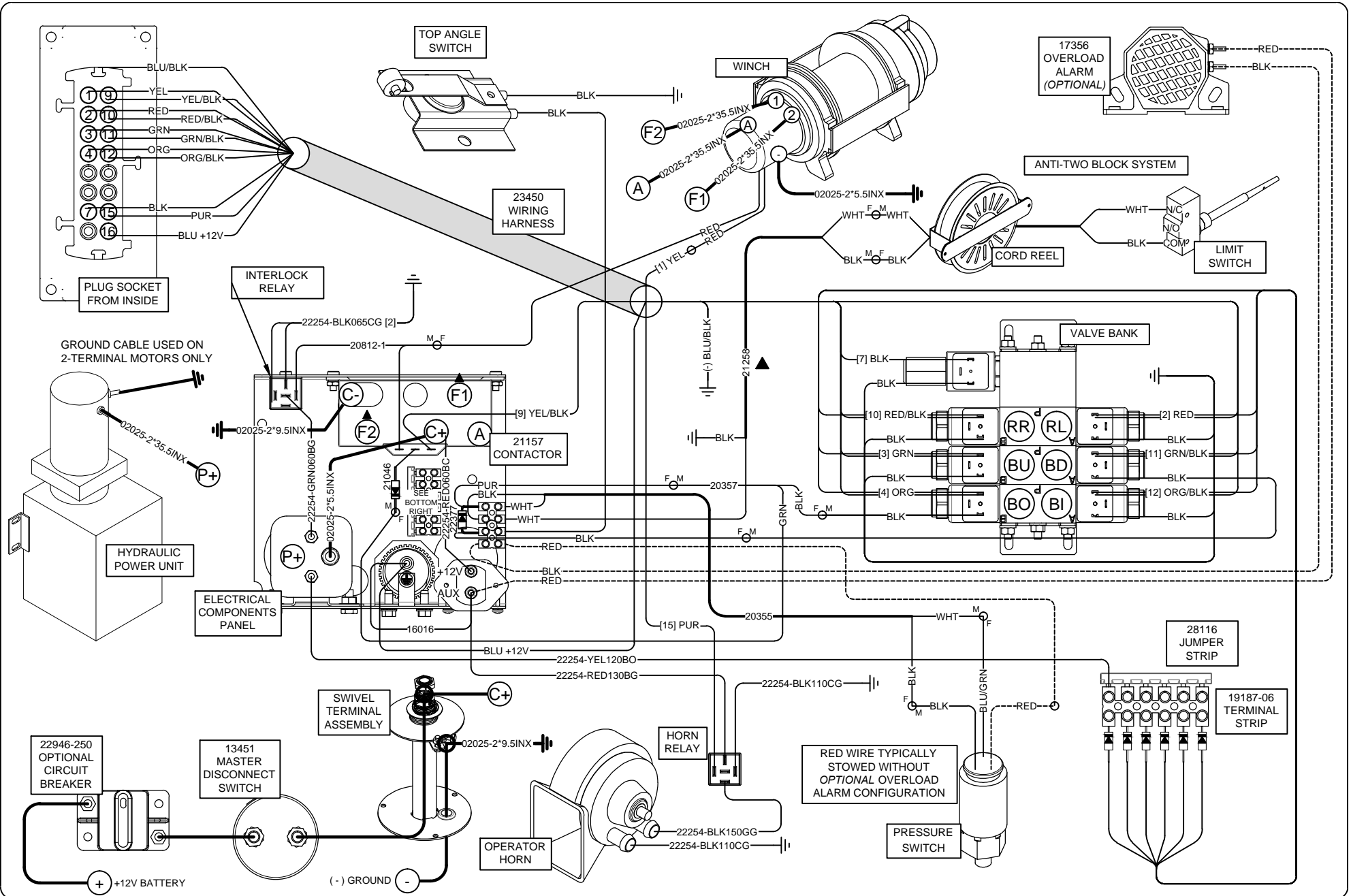
VENCO VENTURO INDUSTRIES LLC
CINCINNATI, OHIO

TITLE
WIRING DIAGRAM
ET25/36
NON-PROPORTIONAL

WINCH: COMEUP (PERM MAG)
CONTACTOR: 28402 W/ RELAY

DATE
08-29-23B
SUPERSEDES
05-12-23A

SECTION
C400
26562



VENCO VENTURO INDUSTRIES LLC
CINCINNATI, OHIO

TITLE
WIRING DIAGRAM

ET25/36
PROPORTIONAL

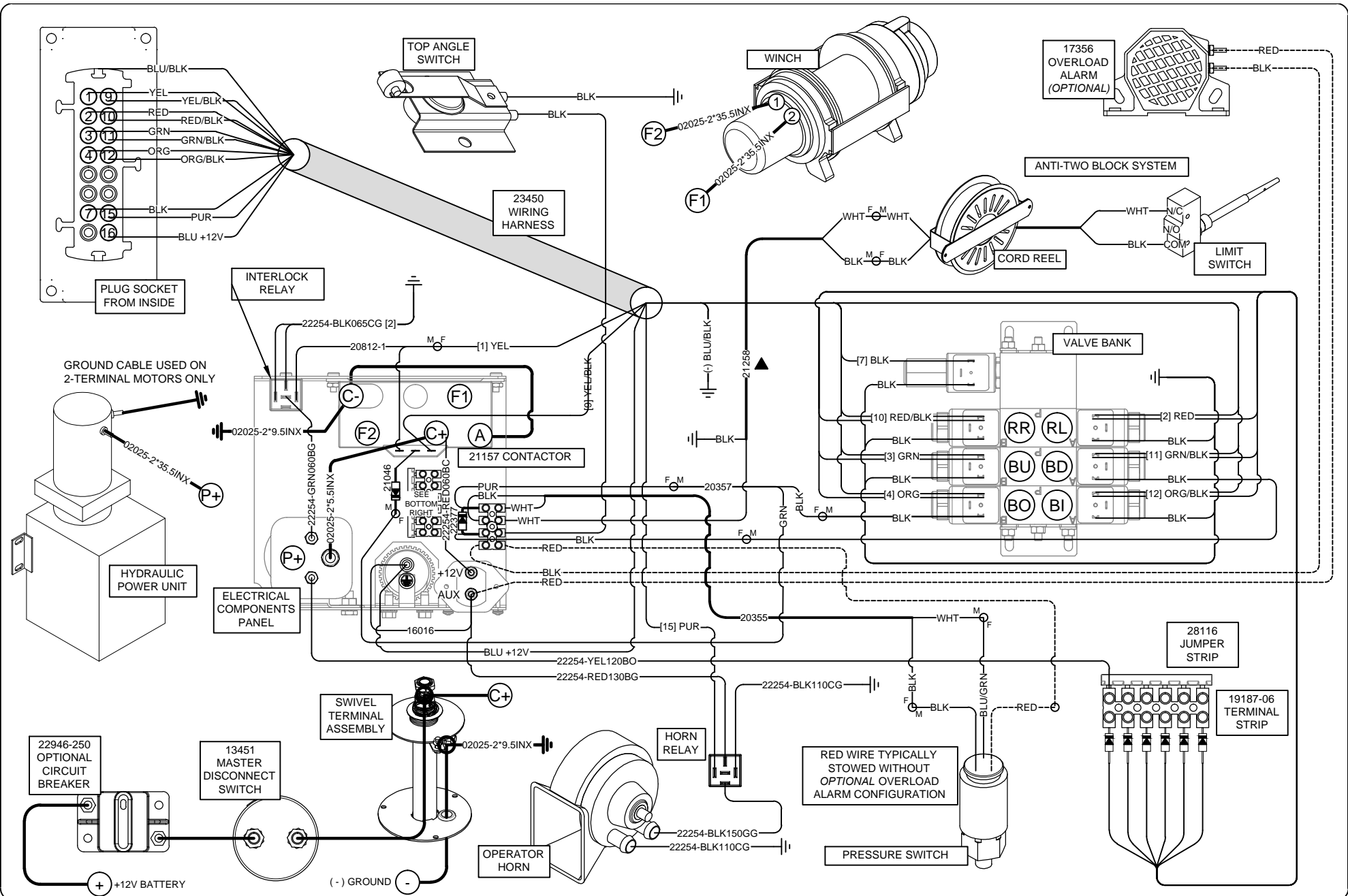
WINCH: WARN (SERIES WND)
CONTACTOR: 21157

DATE
08-29-23G

SUPERSEDES
05-12-23F

SECTION
C400

26530



VENCO VENTURO INDUSTRIES LLC
CINCINNATI, OHIO

TITLE
WIRING DIAGRAM

ET25/36
PROPORTIONAL

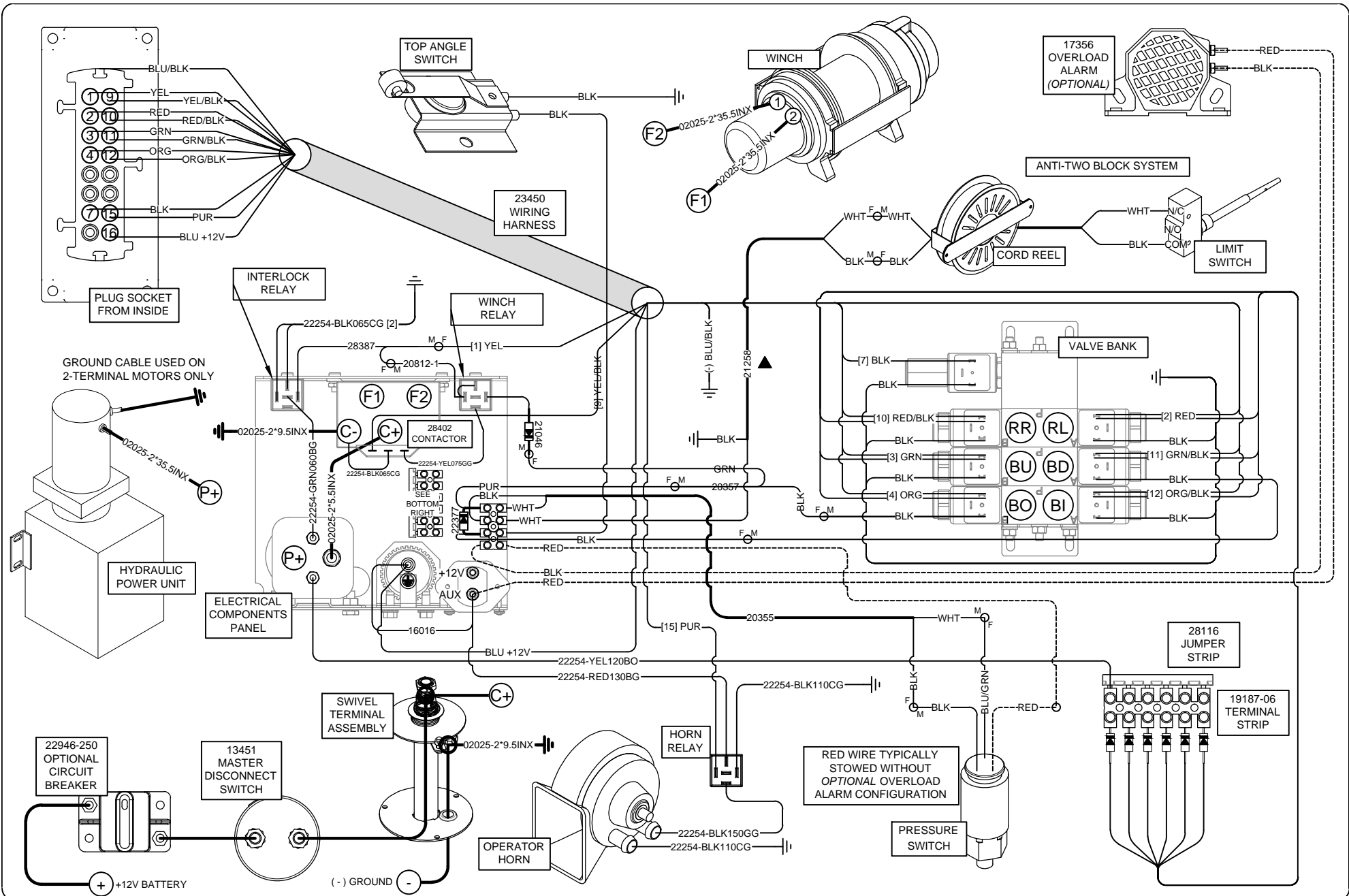
WINCH: COMEUP (PERM MAG)
CONTACTOR: 21157

DATE
08-29-23B

SUPERSEDES
05-12-23A

SECTION
C400

26561



VENCO VENTURO INDUSTRIES LLC
CINCINNATI, OHIO

TITLE
WIRING DIAGRAM

ET25/36
PROPORTIONAL

WINCH: COMEUP (PERM MAG)
CONTACTOR: 28402 W/ RELAY

DATE
08-29-23B

SUPERSEDES
05-12-23A

SECTION
C400

26563

Single & 2-Pole Slip-ring Replacement Parts (1 of 2)

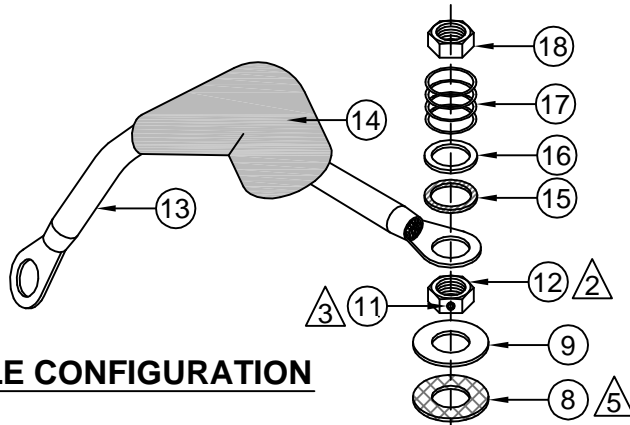
						16780 BILLS OF MATERIALS		
Quill Rotation	Slew Rotation Single Pole Slip-Ring	Slew Rotation 2-Pole Slip-Ring (ET6K ONLY)	Slew Rotation 2-Pole Slip-Ring (ET8-18KX)	Slew Rotation 2-Pole Slip-Ring (ET25-36KX)	ALL CRANES			
16780	16780 - 1	16780 - 2P6	16780 - 2P8	16780 - 2P25	16780 - KIT			
QTY						#	PART	DESCRIPTION
1	1	1	1	1	-	1	16783	PIGTAIL AND STUD ASSEMBLY
1	1	1	1	1	1	2	12534-5	ZINC BUSHING; 5/8" I.D. X 1" O.D. X 14 GAUGE
2	2	2	2	2	2	3	14357-1	FIBER WASHER; 5/8" I.D. X 1 1/16" O.D. X 1/16"
1	1	1	1	1	1	4	14233	INSULATING BUSHING; 5/8" I.D. X 7/8" O.D. X 7/8"
1	-	-	-	-	-	5	14318	FLAT WASHER; 1 3/16" I.D. X 2 3/4" O.D. X 3/16"
1	-	-	-	-	-	6	14232	INVERTED FLARE NUT; 1 3/16"-16
-	-	-	-	-	-	7	27568	WELDED ASSY. CANDLESTICK
1	1	1	1	1	1	8	14357-2	FIBER WASHER; 5/8" I.D. X 1 1/4" O.D. X 1/16"
1	1	1	1	1	1	9	IFWSH-063SAE	FLAT WASHER; 5/8" SAE
-	1	-	-	-	-	10	27156	RUBBER WATER SHIELD; 1/8" THICK
1	1	1	1	1	1	11	ISHCS02528025KC	SET SCREW W/ KNURLED CUP; 1/4"-28 X 1/4"
1	1	1	1	1	1	12	21273	BRASS JAM NUT; 5/8"-11
-	-	-	-	-	-	13	26035-2	PIGTAIL; SWIVEL TERMINAL
-	-	-	-	-	-	14	17012	RUBBER BOOT; SWIVEL TERMINAL
1	1	1	1	1	1	15	5612-162-62	TEFLON WASHER
1	1	1	1	1	1	16	5714-113-62	BRASS WASHER
1	1	1	1	1	1	17	LC-098K-00	SPRING; 0.845" O.D. X 0.098" WIRE X 1.00 F.L.
1	1	1	1	1	1	18	!JNUT-06311N	JAM NUT; 5/8"-11, NYLON NUT
1	1	1	1	1	1	19	LOCTITE-24205	REMOVABLE THREAD LOCKER; 0.5ML
1	1	1	1	1	1	20	19368	IDWG; 16780 SWIVEL TERMINAL
-	-	1	-	-	-	21	27456	UHMW WATER SHIELD, (ET6K ONLY)
-	-	-	1	1	-	22	27456-1	UHMW WATER SHIELD, (ET8 - ET36)
-	-	1	1	1	-	23	27461	SPRING, (-) SLIP-RING ASSY.
-	-	-	1	1	-	24	27441-1	COPPER SLIP-RING, (ET8 - ET36)
-	-	1	-	-	-	25	27441	COPPER SLIP-RING, (ET6K ONLY)
-	-	1	1	1	-	26	27449-1	BRASS SLIP-RING (ET6 - ET36)
-	-	1	1	1	-	27	!HHCS03118075-B	BRASS HHCS
-	-	1	1	1	-	28	!HNUT-03118-B	BRASS NYLOC NUT
-	-	1	-	-	-	29	23255	SLIP-RING, WELDED ASSY, ET6K
-	-	-	1	-	-	30	23255-1	SLIP-RING, WELDED ASSY, ET8 - 18K(X)
-	-	-	-	1	-	31	23255-2	SLIP-RING, WELDED ASSY, ET25 - 36K(X)
-	-	1	1	1	-	32	02025-2*96.5INX	(-) WELDING CABLE ASSY, BRASS SLIP-RING
-	-	1	1	1	-	33	02025-2*22.5INX	(-) WELDING CABLE ASSY, COPPER SLIP-RING
-	-	1	1	1	-	34	27463	SHIM, WIDE RIM, 18GA, 2-1/4 O.D. X 1-1/2 I.D.
-	-	1	1	1	-	35	20889	RUBBER GROMMET
-	-	1	1	1	-	36	!SRNG-150	SNAP-RING, EXTERNAL, 1-1/2"



VENCO VENTURO INDUSTRIES LLC
CINCINNATI, OHIO

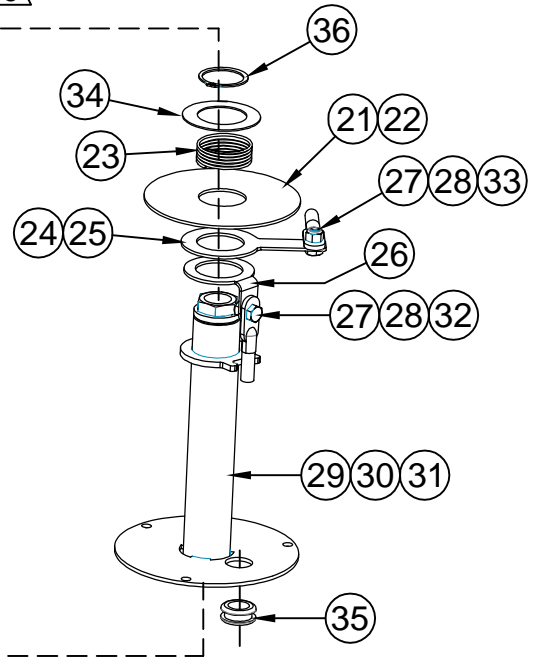
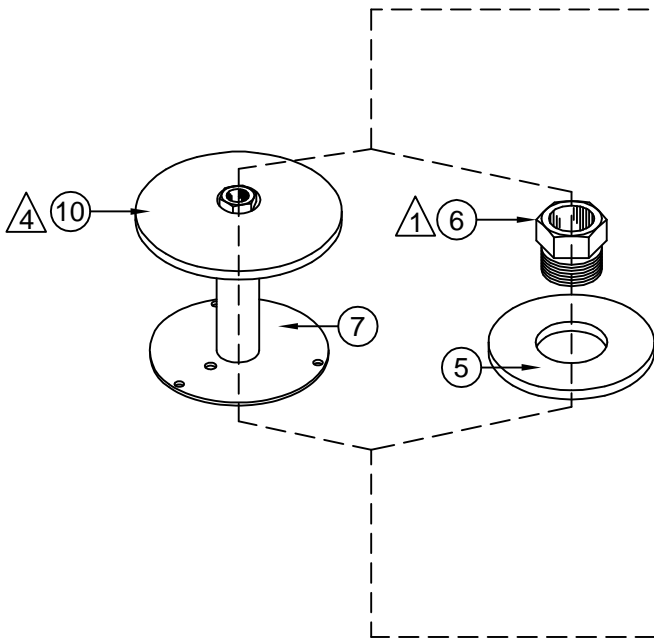
TITLE	DATE	SECTION
16780 REPLACEMENT PARTS	03-29-19A	C400
ET6/8/12/16/18/25/30/36K(X)	SUPERSEDES 04-27-18	21292

Single & 2-Pole Slip-ring Replacement Parts (2 of 2)

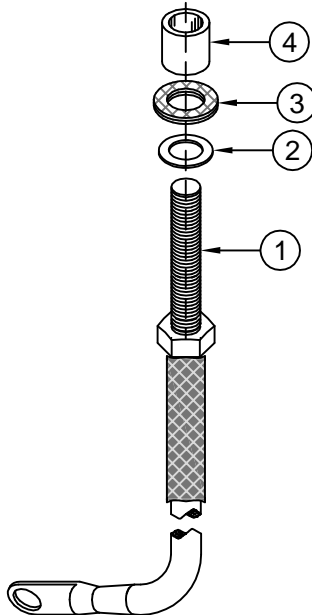


SINGLE-POLE CONFIGURATION

2-POLE CONFIGURATION



- ① LOCTITE 242 BLUE & TORQUE TO 30 FT-LBS FOR QUILL APPLICATIONS
- ② TORQUE TO 15 FT-LBS
- ③ LOCTITE 242 BLUE
- ④ STRETCH RUBBER WATER-SHED DISC P/N 27156 AROUND **'OUTSIDE'** OF THE INVERTED FLARE NUT OF CANDLESTICK, AS SHOWN
- ⑤ ITEM #8, FIBER WASHER, 5/8 I.D. **'MUST'** SIT DIRECTLY ON TOP OF THE INVERTED FLARE NUT ITEM #6.



THE 16780 SWIVEL TERMINAL CAN REPLACE & INTERCHANGE WITH THE 14231 SWIVEL TERMINAL, FOR ET20,000 & ET20K(X) CRANES.



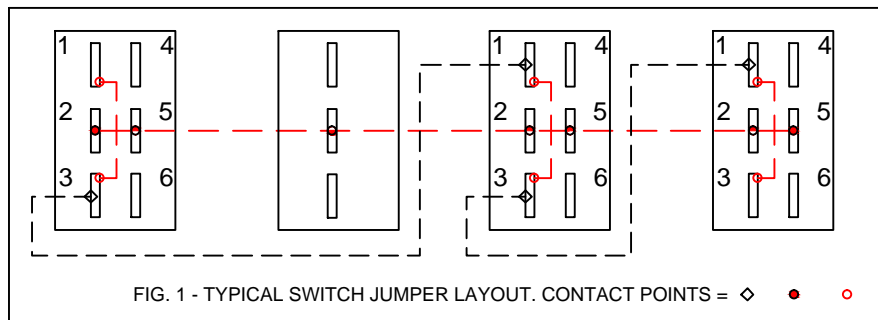
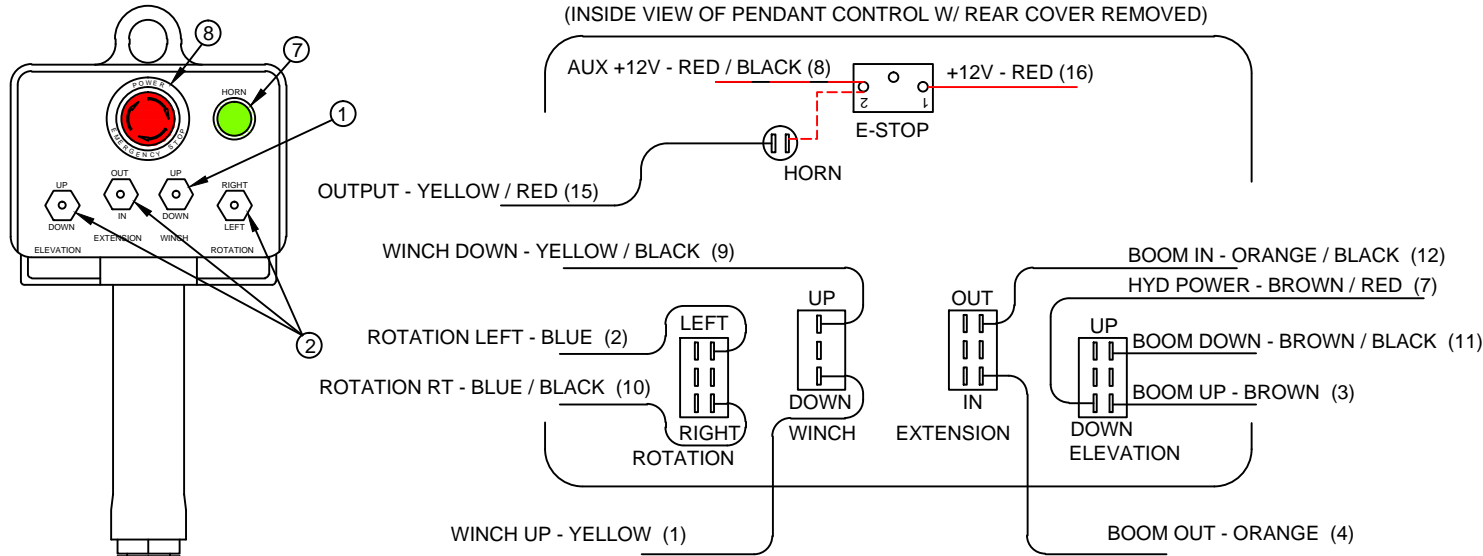
VENCO VENTURO INDUSTRIES LLC
CINCINNATI, OHIO

TITLE	REPL. PARTS ILLUSTRATION
TITLE	ET6/8/12/16/18/25/30/36K(X)

DATE	04-27-18
SUPERSEDES	-

SECTION	C400
SECTION	21293

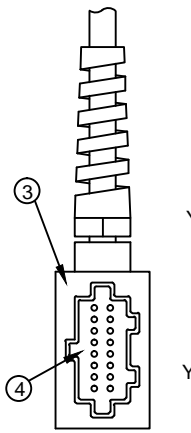
21990 PENDANT; 4 FUNCTION ET CRANES, E-STOP / HORN



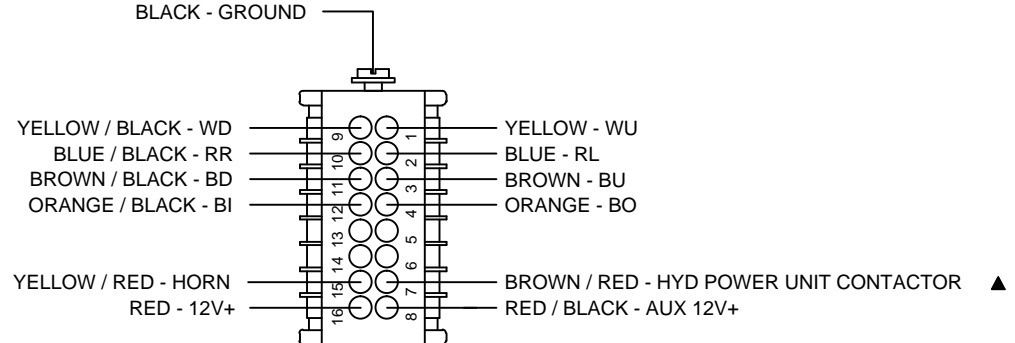
NOTE 1:
WIRE TERMINALS TO BE INSTALLED 'AFTER'
ROUTING REPLACEMENT CORD ASSY
THROUGH PENDANT HEAD AND PLUG
HOUSING.

NOTE 2:
STOW OR CUT BACK UNUSED WIRES.

MODEL	STARTING S/N
ET8KX	73800
ET12KX	69800
ET16KX	170000
ET18KX	95900
ET25KX	125300
ET30KX	130300
ET36KXX	140300



16-PIN PLUG ASSY.



16-PIN PLUG - BACKSIDE VIEW

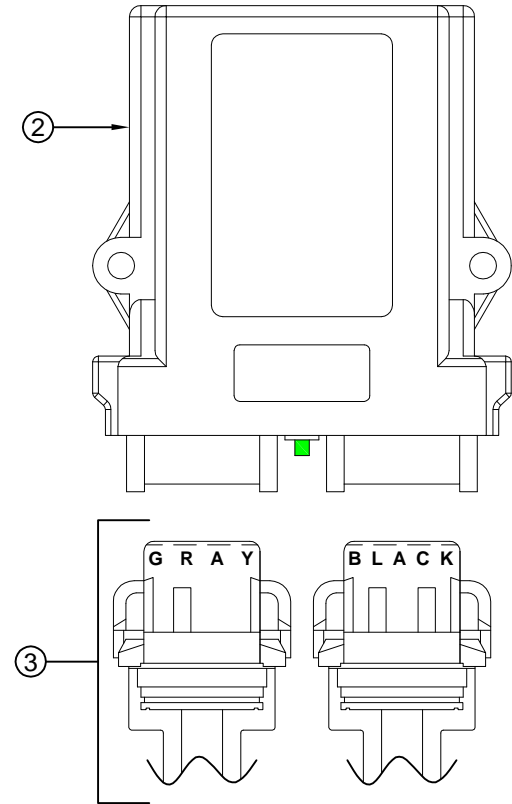
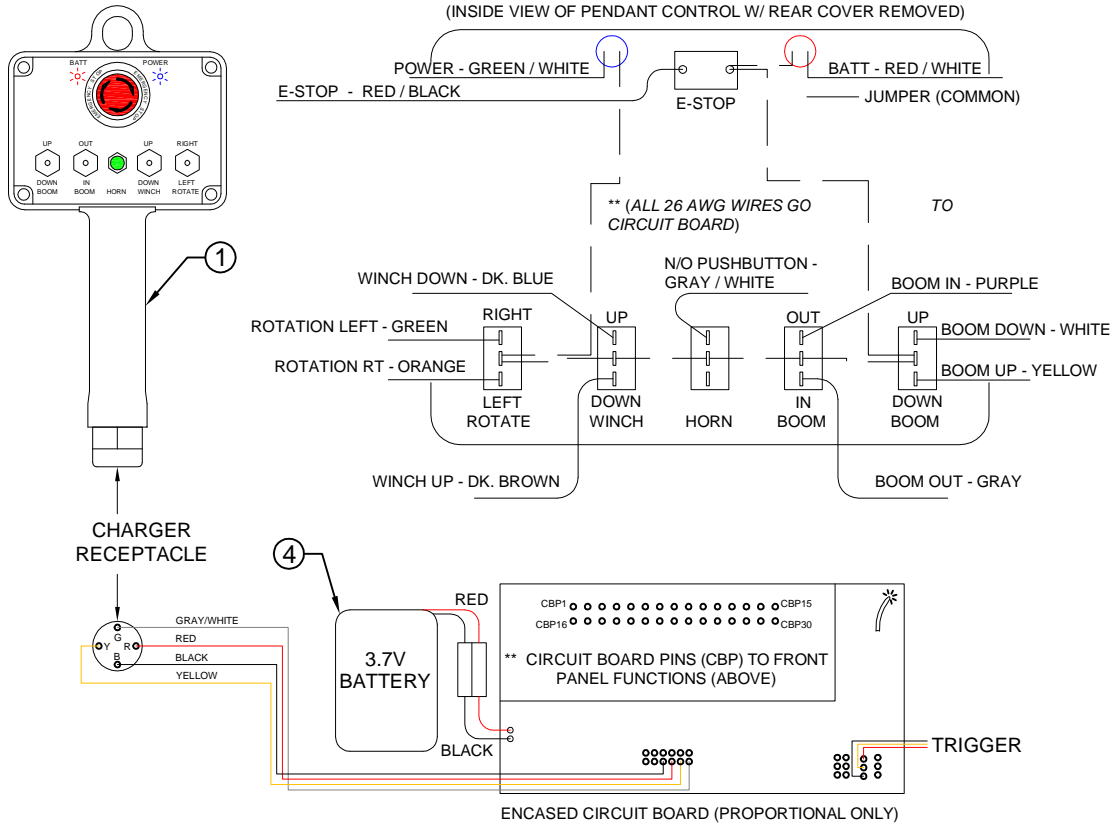
ITEM	QTY	PART NO.	DESCRIPTION
8	1	22156	SWITCH; E-STOP
7	1	22155	SWITCH; PUSHBUTTON, HORN
6	1	22135	KIT; REPLACEMENT CORD ASSY
5	-	-	-
4	1	22472	INSERT; MALE, 16 + 1 POLE
3	1	22471	PLUG CASE; 16 + 1 POLE
2	3	22152	SWITCH; DPDT, MOMENTARY
1	1	22081	SWITCH; SPDT, MOMENTARY



VENCO VENTURO INDUSTRIES LLC
CINCINNATI, OHIO

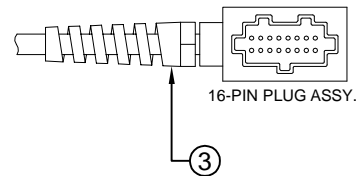
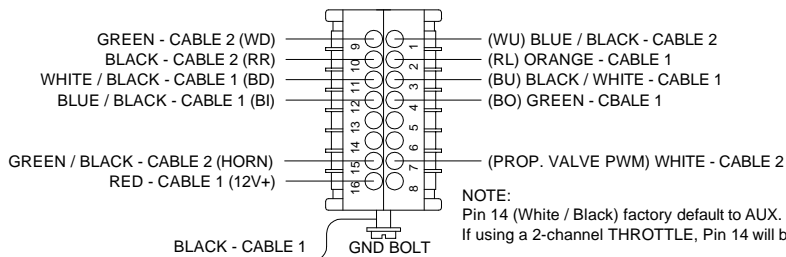
TITLE	DATE	SECTION
REPLACEMENT PARTS DWG & LIST	01-12-17B	C400
21990 PNDNT; 4 FNCTN ET CRNS, ESTP/HRN	SUPSEDES 10-20-14A	23075

22158 RADIO; PROP, NON-CAN, NO ENG CNTRLS, E-STOP/HORN



CABLE 1 = GRAY CONNECTOR
CABLE 2 = BLACK CONNECTOR

16-PIN PLUG - BACKSIDE VIEW



COMPONENTS		
ITEM NO.	PART NO.	DESCRIPTION
1	22158-TX	TRANSMITTER
2	22158-RX	RECEIVER
3	21983-HN	HARNESS
4	22965-BATT	BATTERY
5	22965-CHGR	CHARGER (NOT SHOWN)



VENCO VENTURO INDUSTRIES LLC
CINCINNATI, OHIO

TITLE
REPLACEMENT PARTS DWG & LIST

ET PROPORTIONAL SERIES CRANES ▲

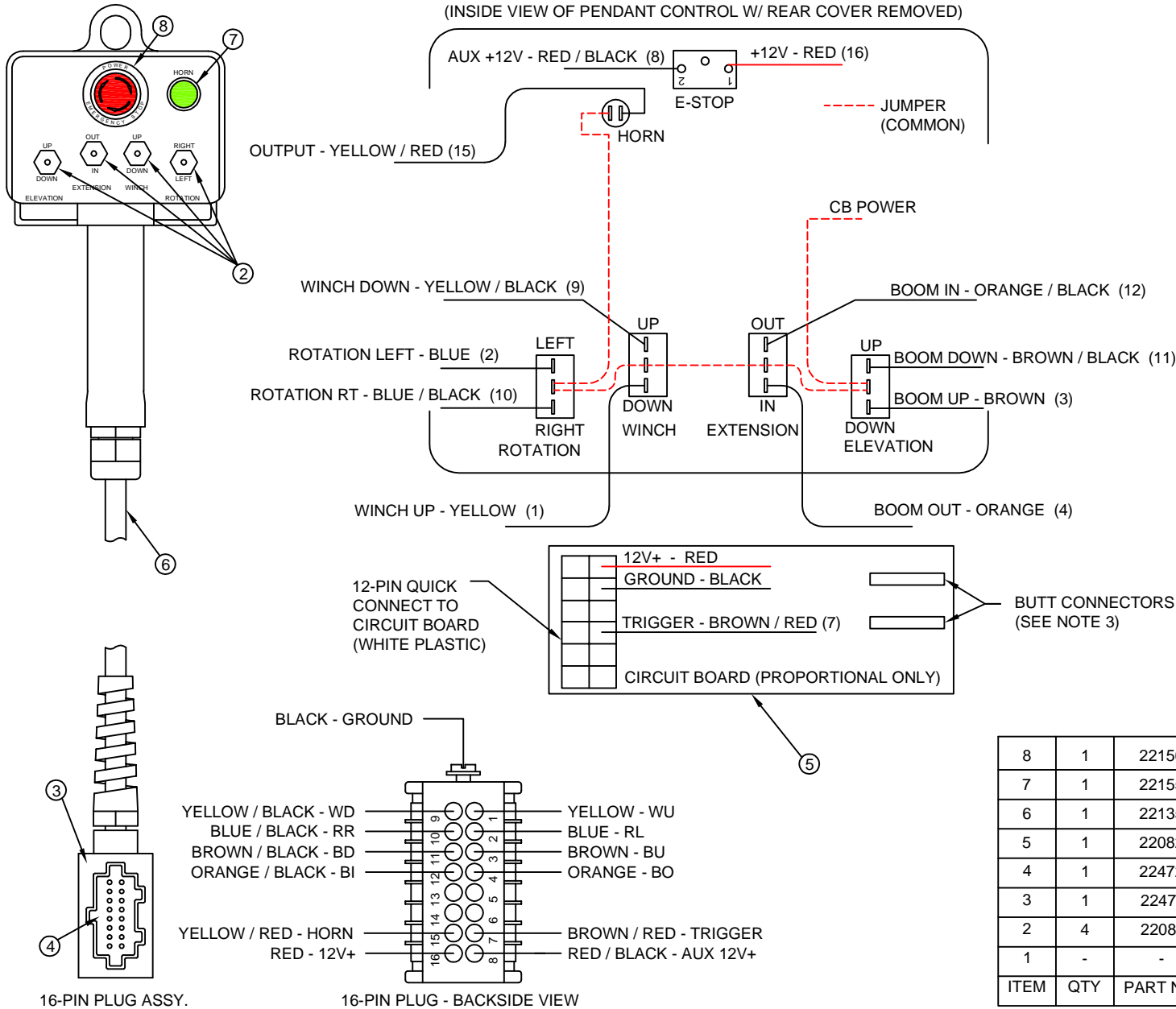
DATE
03-11-19A

SUPERSEDES
07-31-18

SECTION
C400

23786

21988 PENDANT; PROP, NO ENG CNTRL, E-STOP / HORN



NOTE 1:
WIRE TERMINALS TO BE INSTALLED 'AFTER' ROUTING REPLACEMENT CORD ASSY THROUGH PENDANT HEAD AND PLUG HOUSING.

NOTE 2:
STOW OR CUT BACK UNUSED WIRES.

NOTE 3:
WHEN REPLACING CORD ASSY, CUT BLACK AND BLACK / RED WIRES FROM 12-PIN QUICK CONNECT AND INSTALL 'BUTT CONNECTORS'; MATCH UP BLACK TO BLACK WIRES AND BLACK / RED TO BLACK / RED WIRES FROM REPLACEMENT CORD ASSY.

MODEL	STARTING S/N
HT25K(X)	120300
HT30K(X)	115300
HT40KX(X)	100900
HT50KX(X)	110600
HT66KXX	150300

ITEM	QTY	PART NO.	DESCRIPTION
8	1	22156	SWITCH; E-STOP
7	1	22155	SWITCH; PUSHBUTTON, HORN
6	1	22135	KIT; REPLACEMENT CORD ASSY
5	1	22082	CIRCUIT BOARD; PROP VALVE CONTROLLER
4	1	22472	INSERT; MALE, 16 + 1 POLE
3	1	22471	PLUG CASE; 16 + 1 POLE
2	4	22081	SWITCH; SPDT, MOMENTARY
1	-	-	-



VENCO VENTURO INDUSTRIES LLC
CINCINNATI, OHIO

TITLE
REPLACEMENT PARTS DWG & LIST

DATE
10-03-14

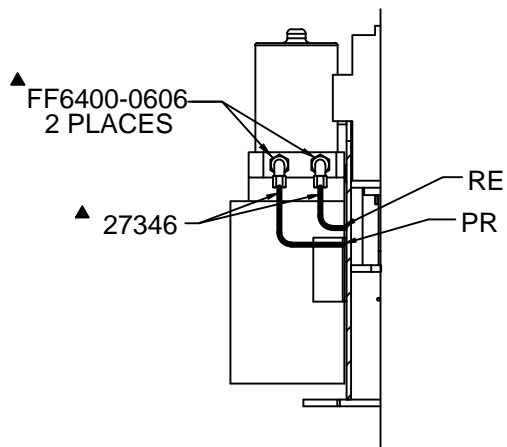
SECTION
C400

21988 PNDNT; PROP, NO ENG CNT, ESTP/HRN

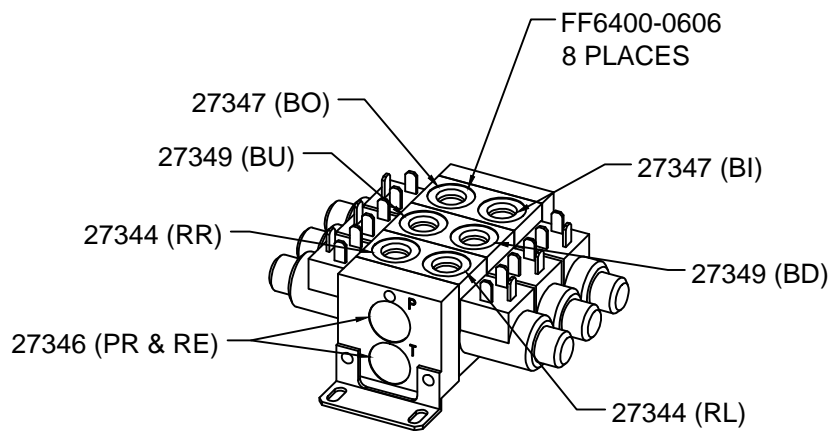
SUPERSEDES

23073

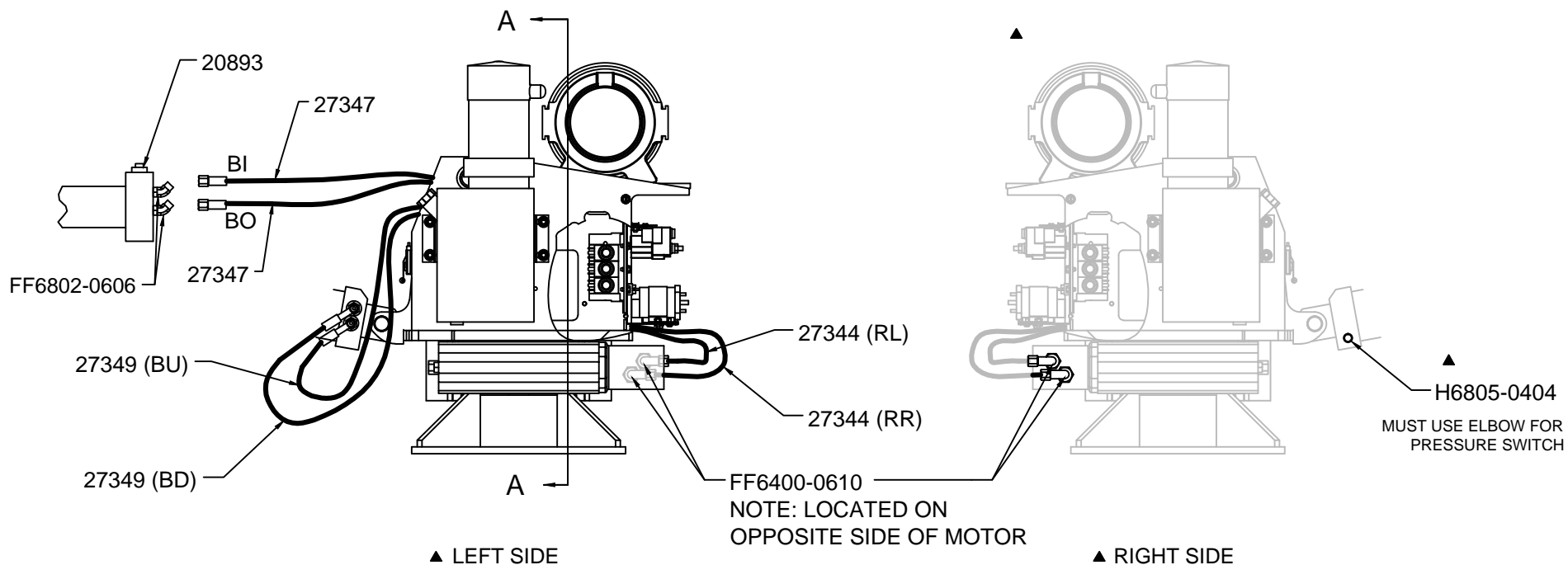
RR	ROTATION RIGHT
RL	ROTATION LEFT
BO	BOOM OUT
BI	BOOM IN
BU	BOOM UP
BD	BOOM DOWN
PR	PRESSURE
RE	RETURN



SECTION VIEW A-A



NOTE:
FOR REPLACEMENT
COILS SEE P/N 23134



VENCO VENTURO INDUSTRIES LLC
CINCINNATI, OHIO

TITLE
REPLACEMENT PARTS; HYD. COMPONENTS

DATE
02-10-20E

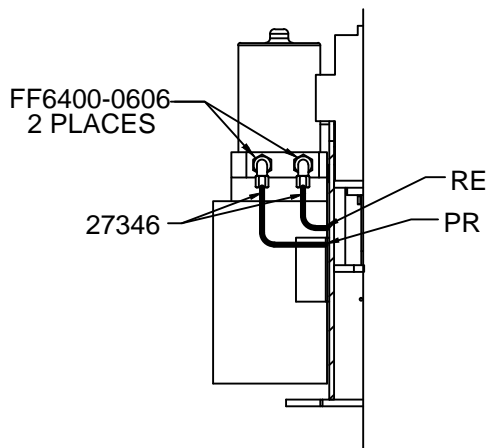
SECTION
C400

ET25/30/36KX

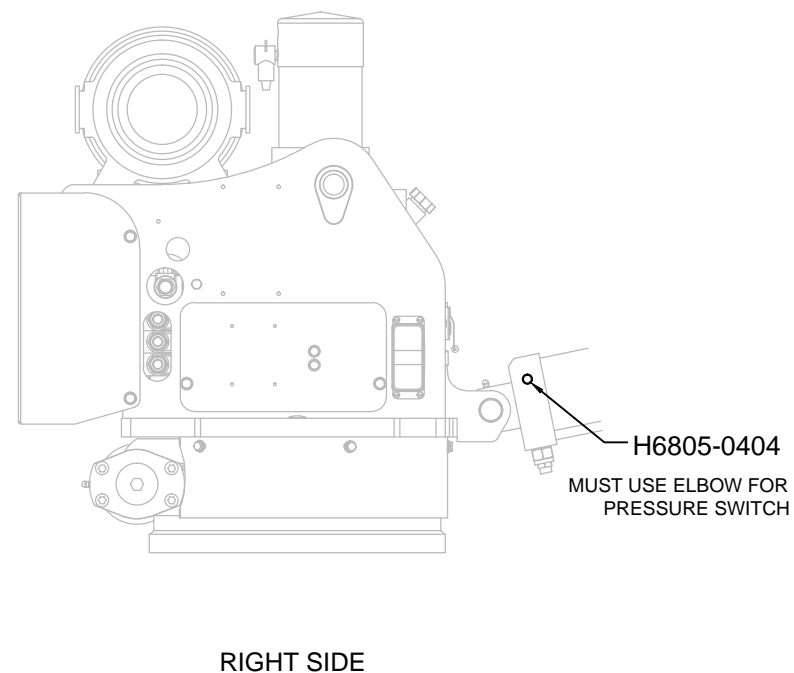
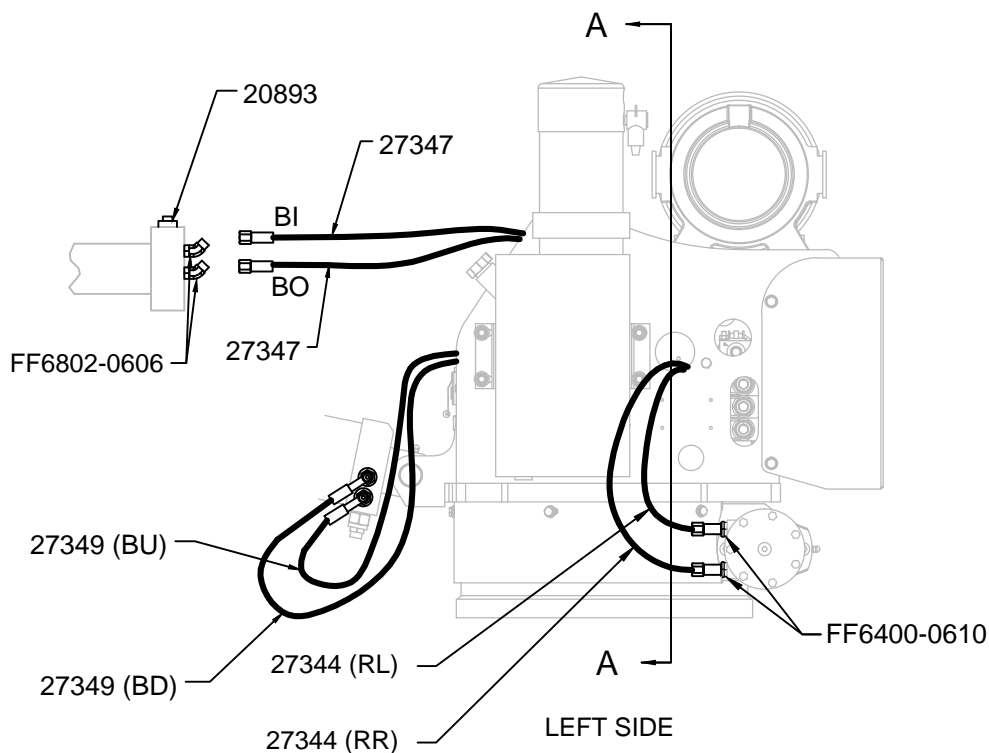
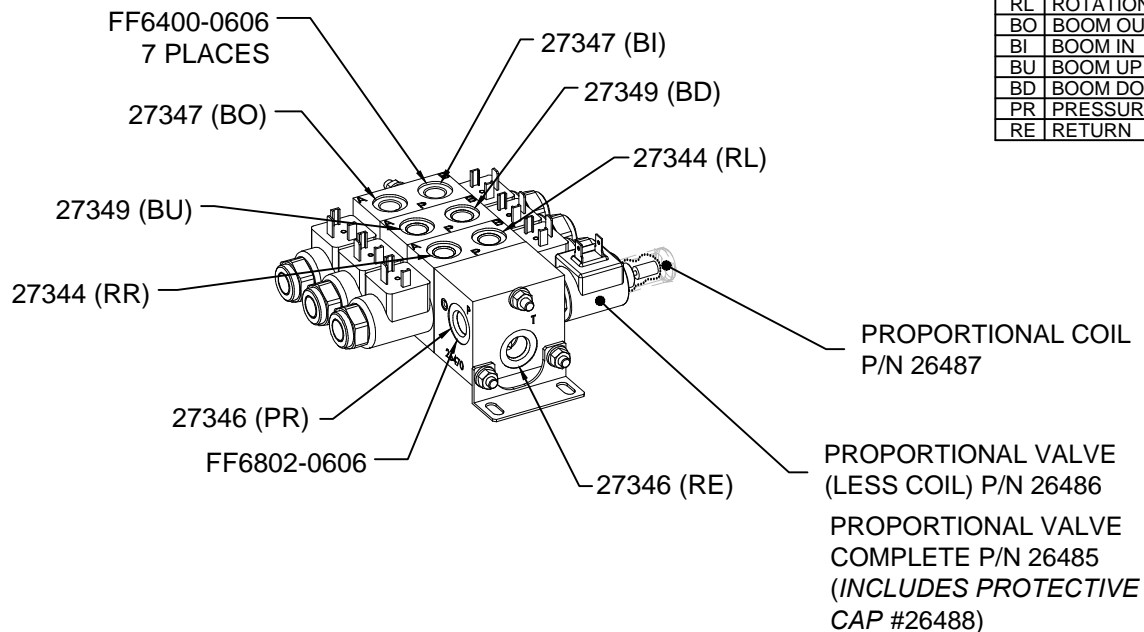
SUPERSEDES
10-07-19D

21758

RR	ROTATION RIGHT
RL	ROTATION LEFT
BO	BOOM OUT
BI	BOOM IN
BU	BOOM UP
BD	BOOM DOWN
PR	PRESSURE
RE	RETURN



SECTION VIEW A-A



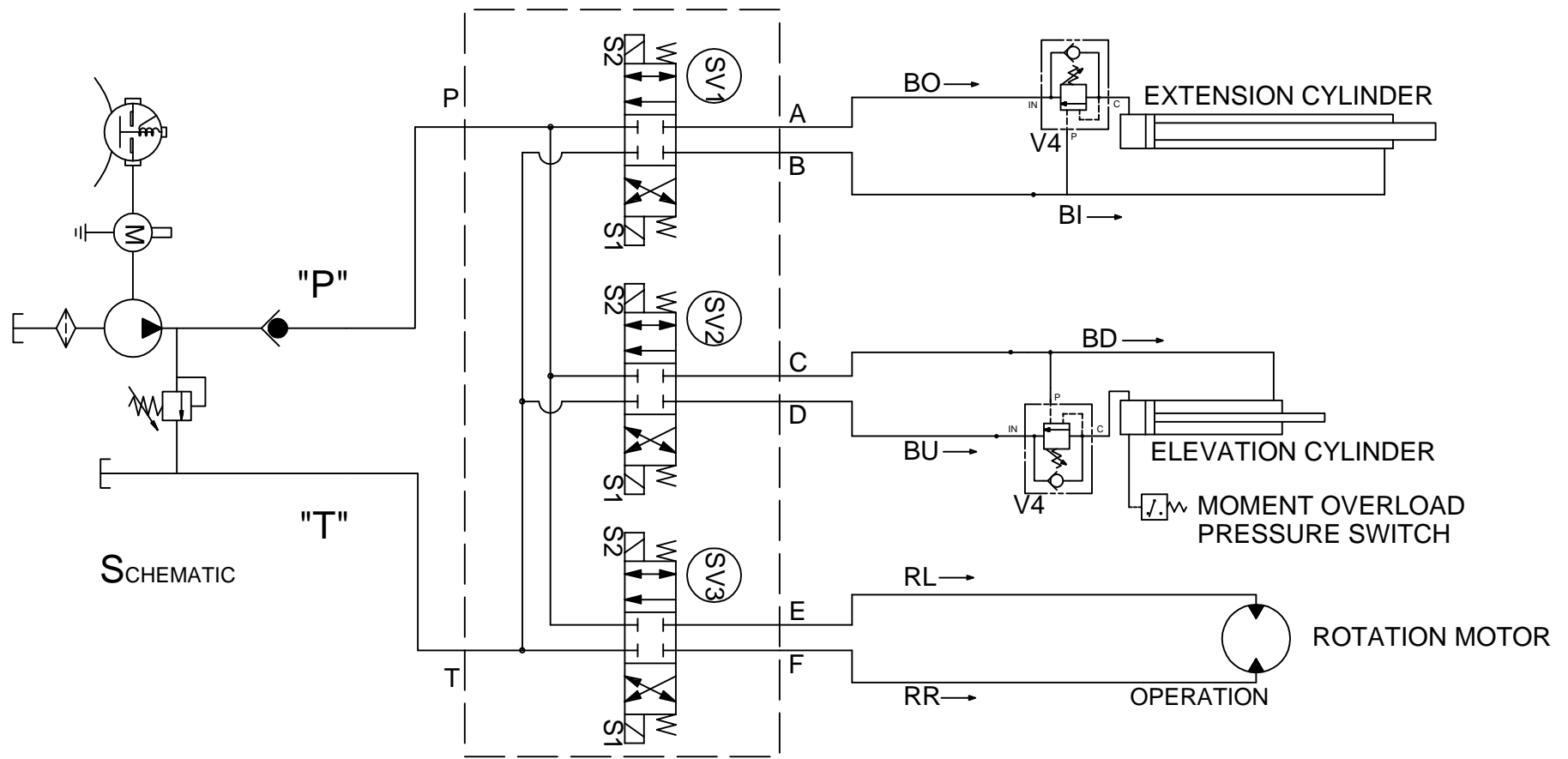
VENCO VENTURO INDUSTRIES LLC
CINCINNATI, OHIO

TITLE
REPLACEMENT PARTS; HYD. COMPONENTS
ET25/30/36KXP

DATE
10-07-19
SUPERSEDES
-

SECTION
C400
24418

ET16/18/25/30/36KX HYDRAULIC COMPONENT DIAGRAM



SV1	SV2	SV3
ENERGIZE "S2"	ENERGIZE "S2"	ENERGIZE "S2"
OPEN FLOW	OPEN FLOW	OPEN FLOW
'P' TO 'A'	'P' TO 'C'	'P' TO 'E'
'B' TO 'T'	'D' TO 'T'	'F' TO 'T'
ENERGIZE "S1"	ENERGIZE "S1"	ENERGIZE "S1"
OPEN FLOW	OPEN FLOW	OPEN FLOW
'P' TO 'B'	'P' TO 'D'	'P' TO 'F'
'A' TO 'T'	'C' TO 'T'	'E' TO 'T'



VENCO VENTURO INDUSTRIES LLC
CINCINNATI, OHIO

TITLE
HYDRAULIC SYSTEM DIAGRAM

ET16/18/25/30/36KX ▲

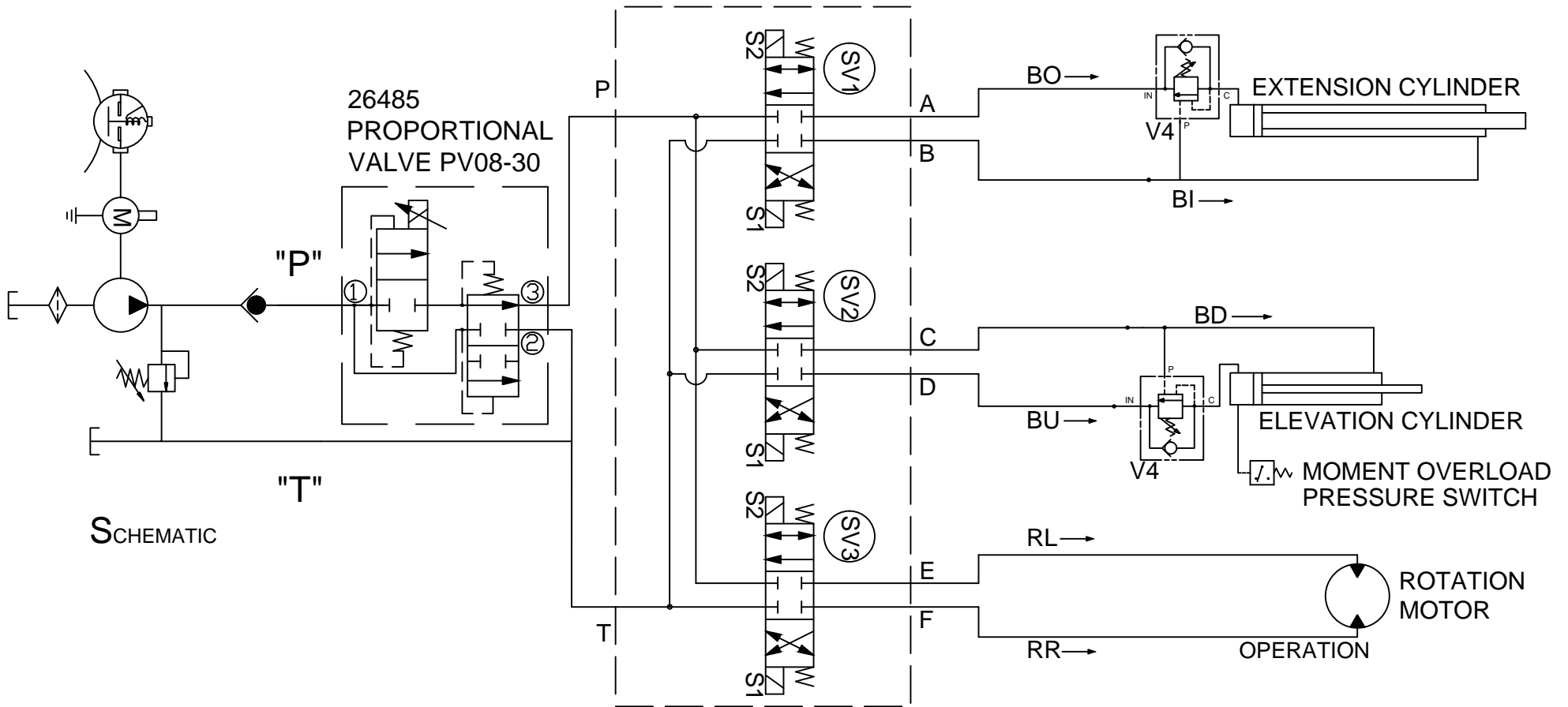
DATE
10-23-14D

SUPERSEDES
01-31-05C

SECTION
C400

20156

ET16/18/25/30/36KXP HYDRAULIC COMPONENT DIAGRAM



SCHEMATIC

- | | | |
|--|--|--|
| (SV1) | (SV2) | (SV3) |
| ENERGIZE "S2"
OPEN FLOW
'P' TO 'A'
'B' TO 'T' | ENERGIZE "S2"
OPEN FLOW
'P' TO 'C'
'D' TO 'T' | ENERGIZE "S2"
OPEN FLOW
'P' TO 'E'
'F' TO 'T' |
| ENERGIZE "S1"
OPEN FLOW
'P' TO 'B'
'A' TO 'T' | ENERGIZE "S1"
OPEN FLOW
'P' TO 'D'
'C' TO 'T' | ENERGIZE "S1"
OPEN FLOW
'P' TO 'F'
'E' TO 'T' |



VENCO VENTURO INDUSTRIES LLC
CINCINNATI, OHIO

TITLE
HYDRAULIC SYSTEM DIAGRAM

ET16/18/25/30/36KXP

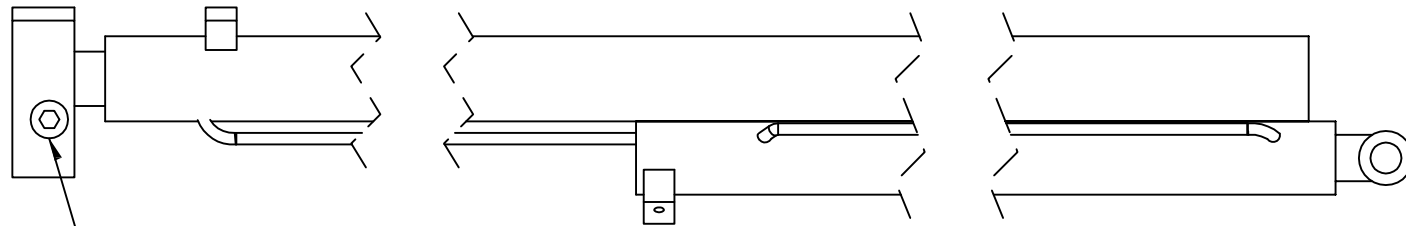
DATE
10-14-19

SUPERSEDES
-

SECTION
C400

24434

21753 DUAL-STAGE EXTENSION CYLINDER



20893 - COUNTERBALANCE VALVE

SEAL KIT P/N: 21775



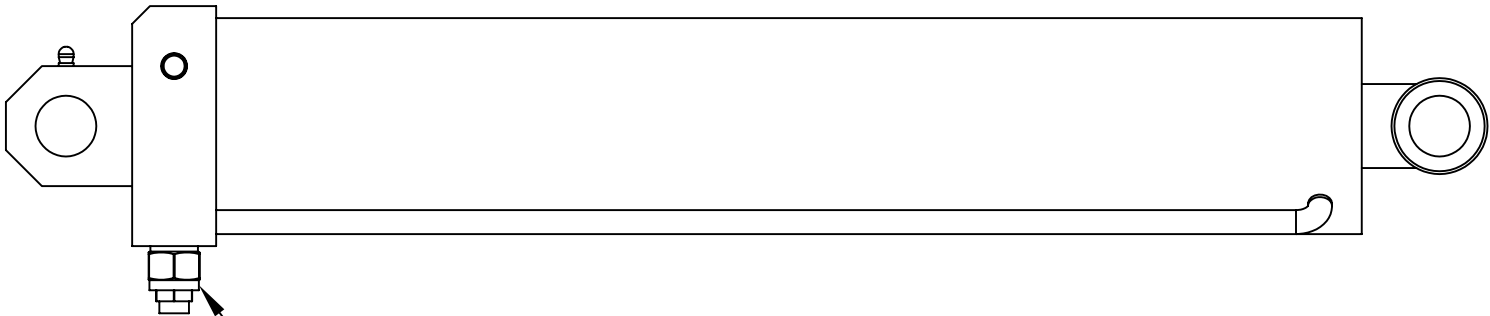
VENCO VENTURO INDUSTRIES LLC
CINCINNATI, OHIO

TITLE
EXTENSION CYLINDER, DUAL-STAGE
ET25-36KX & HT25/30 SERIES CRANES

DATE
03-08-17B
SUPERSEDES
04-30-09A

SECTION
C400
21860

21752 ELEVATION CYLINDER



**20893 COUNTERBALANCE
VALVE**

SEAL KIT P/N: 21774



MANUFACTURING, INC.
CINCINNATI, OHIO

TITLE
ELEVATION CYLINDER

ET/HT25/30/36KX(X)

DATE
8-12-09

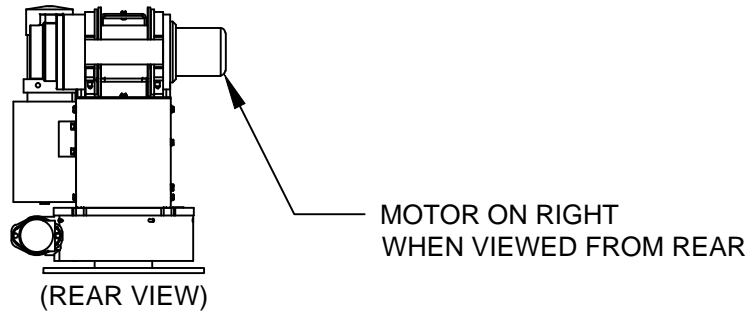
SUPERSEDES
-

SECTION
C400

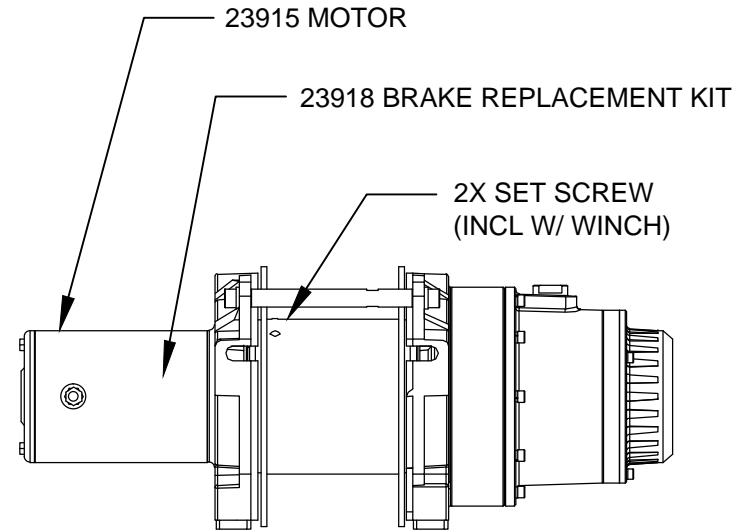
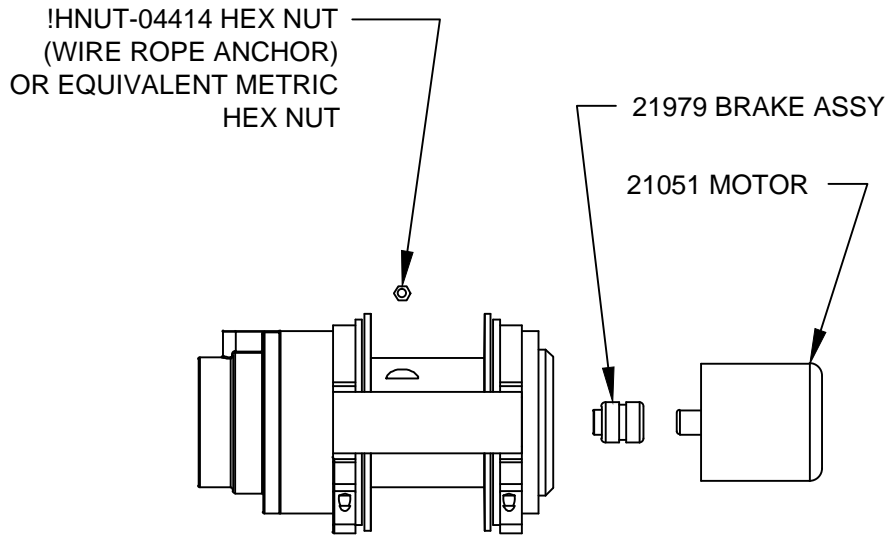
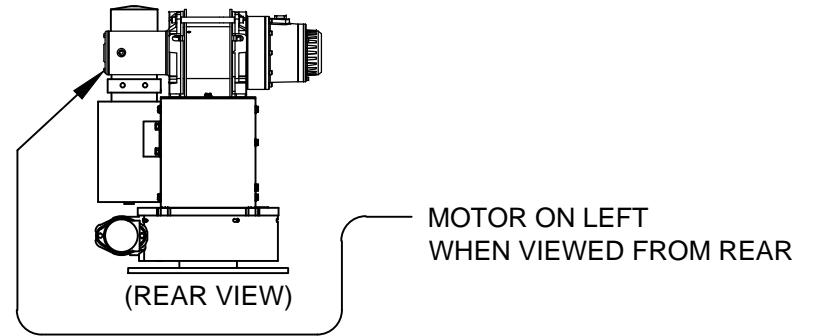
21773

19813 WINCH REPLACEMENT PARTS

WARN DC3000 SERIES-WOUND MOTOR



COMEUP GTD-3300 PERMANENT MAGNET MOTOR



STARTING SERIAL NUMBERS:
 ET25 SERIES 22D000003
 ET30 SERIES 21B000001
 ET36 SERIES 20B000014



VENCO VENTURO INDUSTRIES LLC
CINCINNATI, OHIO

TITLE
WINCH REPLACEMENT PARTS

ET25/30/36K

DATE
04-26-22E

SUPERSEDES
04-13-22D

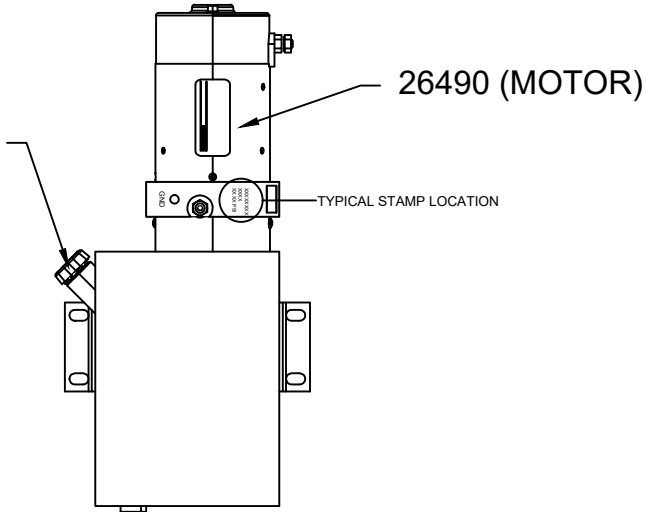
SECTION
C400

21053

26489 HYD. POWER UNIT REPLACEMENT PARTS

BUCHER

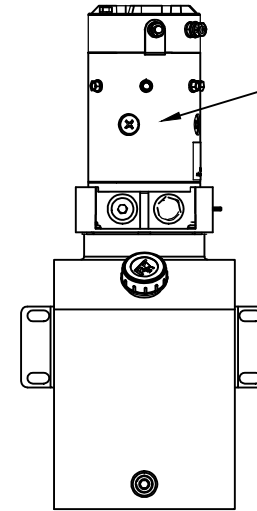
21025
(BREATHER CAP)



(FRONT VIEW)

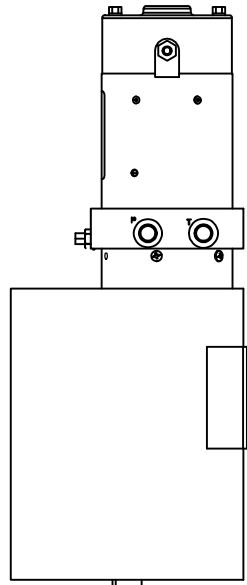
KTI

26490-1 (MOTOR)



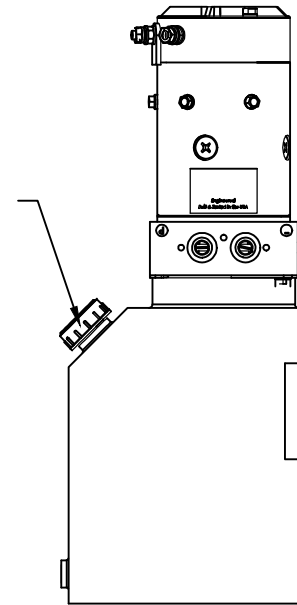
(FRONT VIEW)

NO GROUND
CABLE NEEDED



BUCHER

21025-1
(BREATHER CAP)



GROUND CABLE:
01025-4*23INX

KTI



VENCO VENTURO INDUSTRIES LLC
CINCINNATI, OHIO

TITLE

HYDRAULIC POWER UNIT REPLACEMENT PARTS

ET12KX-16' PROP, ET16/18/25/30/36

DATE

03-06-23 A

SUPERSEDES

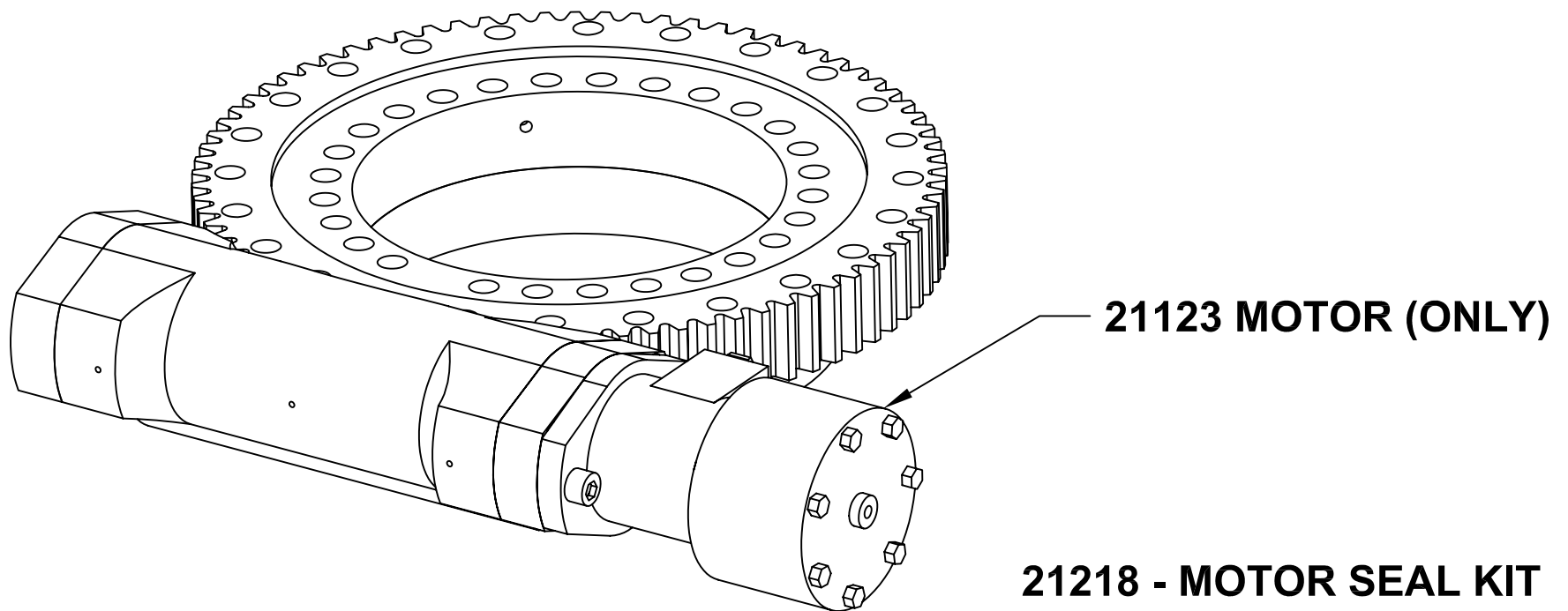
07-31-18

SECTION

C400

23787

21418 SLEWING SYSTEM REPLACEMENT PARTS



VENTURO MANUFACTURING, INC.
CINCINNATI, OHIO

TITLE
SLEWING REPLACEMENT PARTS

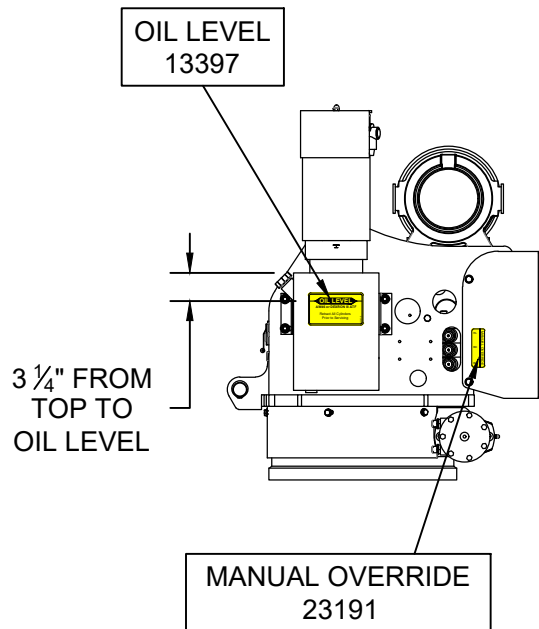
DATE
08-24-09

SECTION
-

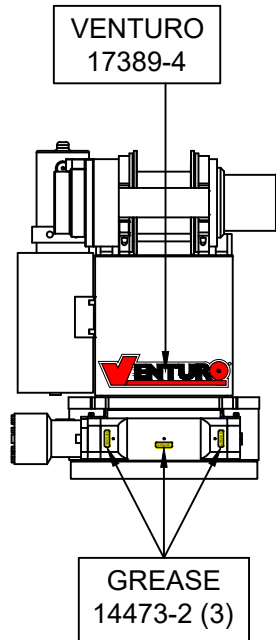
ET25/30KX

SUPERSEDES
-

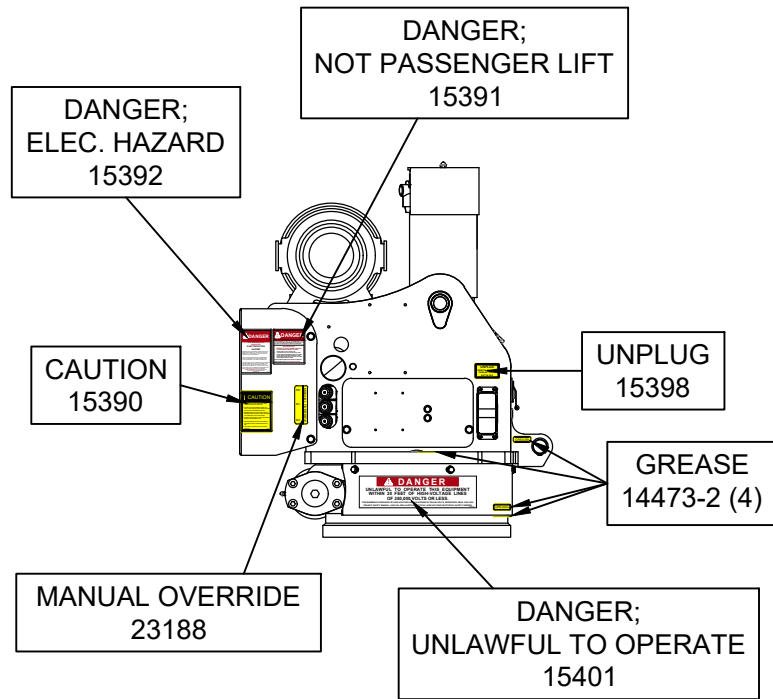
21886



LEFT



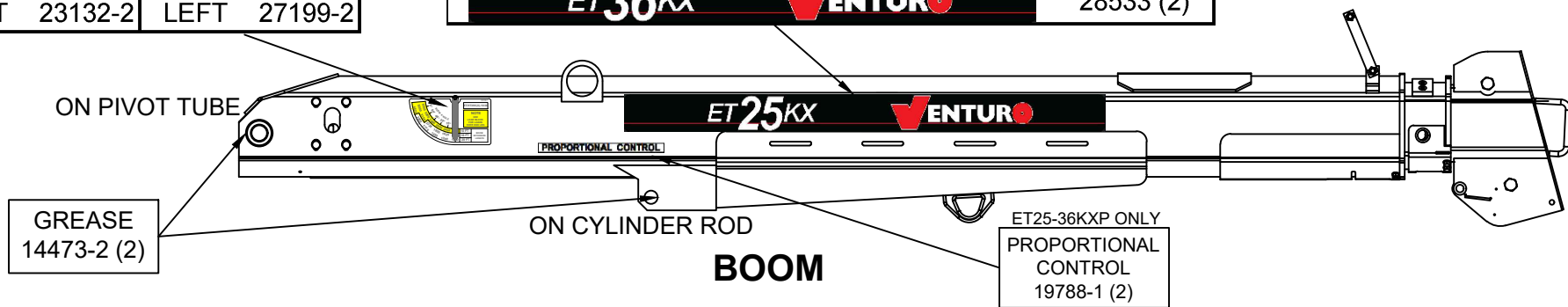
BACK



RIGHT

CAPACITY			
ET25KX		ET36KX	
RIGHT	23132-1	RIGHT	27199-1
LEFT	23132-2	LEFT	27199-2

MODEL		
ET25KX	VENTURO	28532 (2)
ET36KX	VENTURO	28533 (2)



VENCO VENTURO INDUSTRIES LLC
CINCINNATI, OHIO

TITLE
DECAL PLACEMENT
ET25/36KX

DATE
11-10-23
SUPERSEDES
-

SECTION
C400
24452

ET25/36KX FIELD SERVICE LABEL KITS

21898; FIELD SERVICE LABEL KIT, ET25KX

PART NO.	QTY.	DESCRIPTION
14473-2	9	DECAL; GREASE
28532	2	MODEL DECAL; ET25KX
17389-4	1	DECAL; VENTURO, SMALL
23132-1	1	DECAL; BOOM CAPACITY, RIGHT, ET/HT25KX
23132-2	1	DECAL; BOOM CAPACITY, LEFT, ET/HT25KX
13397	1	DECAL; OIL LEVEL
23188	1	DECAL; MANUAL OVERRIDE, RIGHT
23191	1	DECAL; MANUAL OVERRIDE, LEFT
17813	1	DECAL; OVERLOAD SENSING SYSTEM
16184-1	1	DECAL; HORN RELAY
24453	1	IDWG; FIELD SERVICE LABEL KIT
24452	1	IDWG; DECAL PLACEMENT
INST-23233	1	SAFETY MANUAL, VENTURO CRANES
15397	1	KIT; ACCIDENT PREVENTION SIGNS

21866; FIELD SERVICE LABEL KIT, ET36KX

PART NO.	QTY.	DESCRIPTION
14473-2	9	DECAL; GREASE
28533	2	MODEL DECAL; ET36KX
17389-4	1	DECAL; VENTURO LOGO, SMALL
27199-1	1	DECAL; BOOM CAPACITY, RIGHT, ET36KX
27199-2	1	DECAL; BOOM CAPACITY, LEFT, ET36KX
13397	1	DECAL; OIL LEVEL
23188	1	DECAL; MANUAL OVERRIDE, RIGHT
23191	1	DECAL; MANUAL OVERRIDE, LEFT
17813	1	DECAL; OVERLOAD SENSING SYSTEM
16184-1	1	DECAL; HORN RELAY
24453	1	IDWG; FIELD SERVICE LABEL KIT LIST
24452	1	IDWG; DECAL PLACEMENT
INST-23233	1	SAFETY MANUAL, VENTURO CRANES
15397	1	KIT; ACCIDENT PREVENTION SIGNS



VENCO VENTURO INDUSTRIES LLC
CINCINNATI, OHIO

TITLE
FIELD SERVICE LABEL KIT
ET25/36KX

DATE
11-10-23
SUPERSEDES
-

SECTION
C400
24453

ET25/36KXP FIELD SERVICE LABEL KITS

24440; FIELD SERVICE LABEL KIT, ET25KXP

PART NO.	QTY.	DESCRIPTION
14473-2	9	DECAL; GREASE
28532	2	MODEL DECAL; ET25KXP
17389-4	1	DECAL; VENTURO, SMALL
23132-1	1	DECAL; BOOM CAPACITY, RIGHT, ET/HT25KX
23132-2	1	DECAL; BOOM CAPACITY, LEFT, ET/HT25KX
19788	2	DECAL; 'PROPORTIONAL CONTROL'
13397	1	DECAL; OIL LEVEL
23188	1	DECAL; MANUAL OVERRIDE, RIGHT
23191	1	DECAL; MANUAL OVERRIDE, LEFT
19315-2	1	DECAL; PROP. VALVE MANUAL OVERRIDE
17813	1	DECAL; OVERLOAD SENSING SYSTEM
16184-1	1	DECAL; HORN RELAY
24454	1	IDWG; FIELD SERVICE LABEL KIT
24452	1	IDWG; DECAL PLACEMENT
INST-23233	1	SAFETY MANUAL, VENTURO CRANES
15397	1	KIT; ACCIDENT PREVENTION SIGNS

24442; FIELD SERVICE LABEL KIT, ET36KXP

PART NO.	QTY.	DESCRIPTION
14473-2	9	DECAL; GREASE
28533	2	MODEL DECAL; ET36KXP
17389-4	1	DECAL; VENTURO LOGO, SMALL
27199-1	1	DECAL; BOOM CAPACITY, RIGHT, ET36KX
27199-2	1	DECAL; BOOM CAPACITY, LEFT, ET36KX
19788	2	DECAL; 'PROPORTIONAL CONTROL'
13397	1	DECAL; OIL LEVEL
23188	1	DECAL; MANUAL OVERRIDE, RIGHT
23191	1	DECAL; MANUAL OVERRIDE, LEFT
19315-2	1	DECAL; PROP. VALVE MANUAL OVERRIDE
17813	1	DECAL; OVERLOAD SENSING SYSTEM
16184-1	1	DECAL; HORN RELAY
24454	1	IDWG; FIELD SERVICE LABEL KIT LIST
24452	1	IDWG; DECAL PLACEMENT
INST-23233	1	SAFETY MANUAL, VENTURO CRANES
15397	1	KIT; ACCIDENT PREVENTION SIGNS



VENCO VENTURO INDUSTRIES LLC
CINCINNATI, OHIO

TITLE
FIELD SERVICE LABEL KIT
ET25/36KXP

DATE
11-10-23
SUPERSEDES
-

SECTION
C400

24454



VENTURO CRANES LIMITED WARRANTY POLICY

Venturo products are built to last...we guarantee them.

As a purchaser of any new Venturo product covered by warranty, you will receive 1 year of the most complete coverage available...and, at no added cost to you.

1-Year Limited Warranty Policy

This limited policy warrants new products of Venturo to be free from defects in material and workmanship for a period of one (1) year from date of original installation. OEM products or accessories purchased by Venturo as part of or offered with our product will carry the OEM manufacturer's respective warranty. Our warranty covers:

- ***Repair or replacement of product***
- ***Labor to repair or replace product***
- ***Freight to return and/or replace product***

We shall not be liable for any contingent liabilities arising out of the improper function of any products. Warranty shall become void if the product is improperly installed, modified, damaged, abused or used for application other than intended use. There is no warranty of merchantability, fitness for a particular purpose, warranty arising from course of dealing or usage of trade, or any other implied or expressed warranty, except as made specifically herein. This warranty supersedes all previous warranties, written or implied.

Warranty Claims

Venco Venturo Industries LLC will make a good faith effort for prompt correction or other adjustment with respect to any product, which proves to be defective after our inspection and within the warranty period. Before any repairs are attempted or before returning any product, your Venturo Distributor is required to obtain a warranty claim number. This number is necessary for any claim to be considered. To obtain a warranty claim number, Venturo requires the model and serial number. Only authorized Venturo Distributors can perform warranty. For the name and address of your local Venturo Distributor call the **Warranty Claim Department - 513-772-8448**.

WARNING - It is the responsibility of the installer to ensure the installation is completed according to the manufacturer's recommendations, ensure the ultimate user understands how to operate product in a safe manner, and understands the need for regular service and maintenance by an authorized Venturo Distributor. No modifications or alterations may be made to any Venturo product without the expressed written consent of Venco Venturo Industries LLC. Installation of any Venturo product must be done by an authorized Venturo Distributor, to the standards of the industry; including maintenance, service and affixing of all instruction, safety and warning decals. Users should be instructed as to the safe operation at time of delivery. Maintenance, service, operation and safety warning decals are available on request from Venco Venturo Industries LLC.

VENCO VENTURO INDUSTRIES LLC
12110 BEST PLACE | CINCINNATI, OHIO 45241
P: 800-226-2238 | F: 513-326-5427
www.venturo.com