

# PARTS & INSTALLATION MANUAL

---

## HT50KXP-20

---

Included in this manual:

### HT50KXP-20

- 8,000 lb Hydraulic Telescopic Service Crane
- 20 ft Fully-Powered, Two-Stage Boom Extension
- Proportional Control



# HT50KX-20', PROP

INST-26918 - 4/25/2024 (Rev: NEW3)

7607100A	<b>SECTION 100: DESCRIPTION &amp; SPECIFICATIONS</b>
26894	INSTALLATION DIMENSIONS
26892	MOUNTING DIMENSIONS; BASE PLATE
22351	CAPACITY CHART; HT50KX (20' BOOM)
7607150A	<b>SECTION 150: SAFETY</b>
15394	VEHICLE & CRANE ELECTRICAL HAZARD INFORMATION
920612	SAFETY & HAZARDS, GENERAL
19217	WINCH SAFETY WARNINGS
22181A	SAFETY DECALS DRAWING & LIST
22181B	SAFETY DECALS DRAWING & LIST
22181C	SAFETY DECALS DRAWING & LIST
28521	SAFETY DECALS DRAWING & LIST
28407	DECALS; BOOM CAPACITY
7607200A	<b>SECTION 200: INSTALLATION</b>
26895	CRANE INSTALLATION, PG. 1
22173	CRANE INSTALLATION PG. 2
20051	ROTATION STOP LOCATION
20906-50	STABILITY PROCEDURE
20907	STABILITY CHART
22825	22785 HYDRAULIC TANK DIMENSIONS
23015	CONNECTIONS GUIDE (PAGE 1 OF 2)
23014	CONNECTIONS GUIDE (PAGE 2 OF 2)
22883	PTO INSTALLATION
22913	COMPARTMENT DRAWING
22245	WIRE ROPE INSTALLATION
7607300B	<b>SECTION 300: OPERATION &amp; MAINTENANCE</b>
23203	MAINTENANCE OVERVIEW INFORMATION
22345A	CRANE OPERATION & MAINTENANCE INSTRUCTIONS (PAGE 1 OF 3)
22345B	CRANE OPERATION & MAINTENANCE INSTRUCTIONS (PAGE 2 OF 3)
22174	CRANE OPERATION & MAINTENANCE INSTRUCTIONS (PAGE 3 OF 3)
22168	SAFETY SHUTOFF INSTRUCTIONS
23231	WIRE ROPE & HOOK SPECIFICATIONS
7607400A	<b>SECTION 400: REPLACEMENT PARTS</b>
26890	HT40/50KX CRANE REPLACEMENT PARTS DRAWING
26881	HT40/50KX CRANE REPLACEMENT PARTS LIST
26905	HT40/50KX CRANE FASTENERS DRAWING
26906	HT40/50KX CRANE FASTENERS LIST
24188	21410 BOOM REPLACEMENT PARTS DRAWING (COMPACT A2B)
24189	21410 BOOM REPLACEMENT PARTS LIST (COMPACT A2B)
28239	COMPACT A2B CUT-OUT CAM INSTALLATION / ADJUSTMENT
28199	WORK LIGHT INSTALLATION W/ 3-WIRE CORD REEL (FOR NON-VLC CRANES)
26896	T11 & T12 WINCH REPLACEMENT PARTS DRAWING & LIST
22978	PROP HYDRAULIC SYSTEM COMPONENTS REPLACEMENT PARTS DRAWING
22979	PROP HYDRAULIC SYSTEM COMPONENTS REPLACEMENT PARTS LIST
22940	22736H HYDRAULIC VALVE MANIFOLD REPLACEMENT PARTS DRAWING & LIST
27352	HYDRAULIC SYSTEM SCHEMATIC - PROPORTIONAL CONTROL 40/50KX
26897	ELECTRICAL SCHEMATIC; PROPORTIONAL W/ HORN
22125	ELECTRICAL SCHEMATIC; 16 PIN SOCKET WIRING
23072	21987 PENDANT; REPL PARTS DWG / LIST (PROP, ENG CNTRLs, E-STOP, HORN)
23073	21988 PENDANT; REPL PARTS DRAWING / LIST (PROP, E-STOP, HORN)
22615	ENGINE START & STOP / THROTTLE CONTROLS
28522	DECAL PLACEMENT
23224	RESERVOIR KITS; REPLACEMENT PARTS DRAWING & LISTS
22926	22924 FIELD SERVICE LABEL KITS
12-00073_VNT1	WARRANTY PAGE



**SECTION 100**

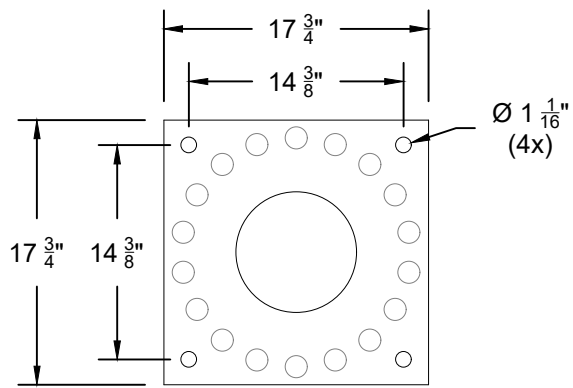
**DESCRIPTION**

**&**

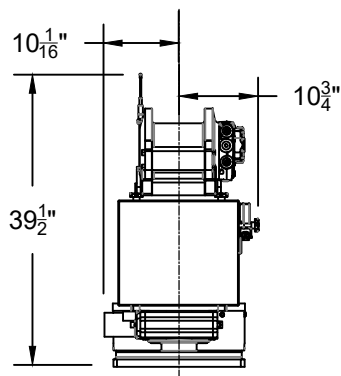
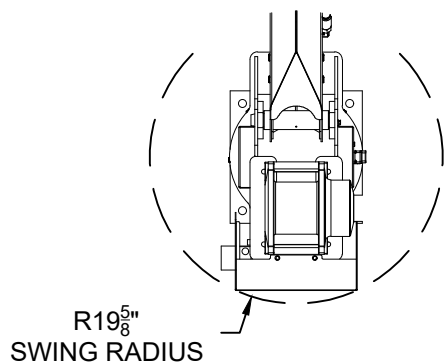
**SPECIFICATIONS**



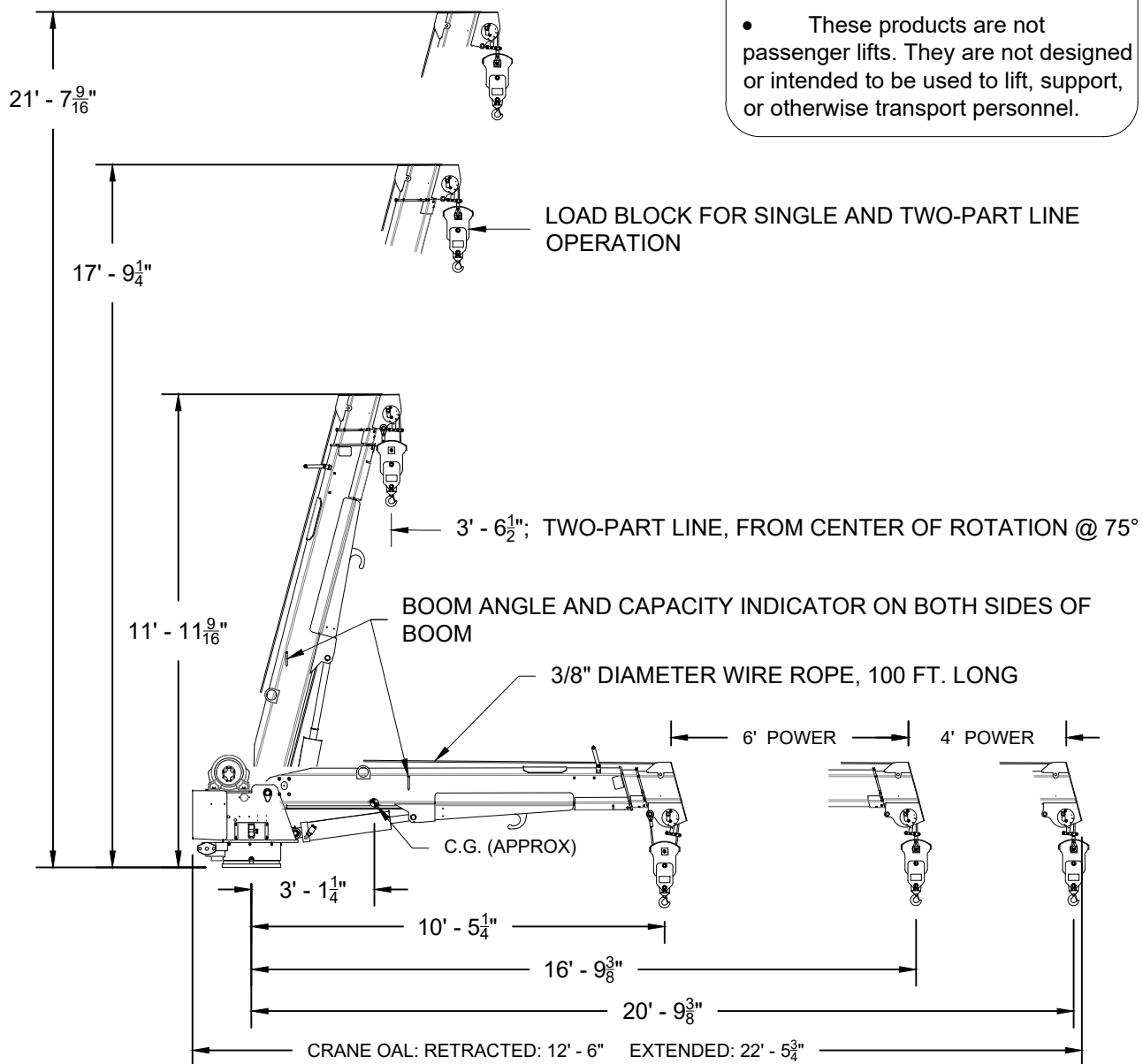
VENCO VENTURO INDUSTRIES LLC  
CINCINNATI, OHIO



BASE MOUNTING DIMENSIONS



CENTER OF ROTATION



**WARNING**

- These products are not passenger lifts. They are not designed or intended to be used to lift, support, or otherwise transport personnel.



VENCO VENTURO INDUSTRIES LLC  
CINCINNATI, OHIO

TITLE  
INSTALLATION DIMENSIONS

HT40/45/50KX-20' BOOM

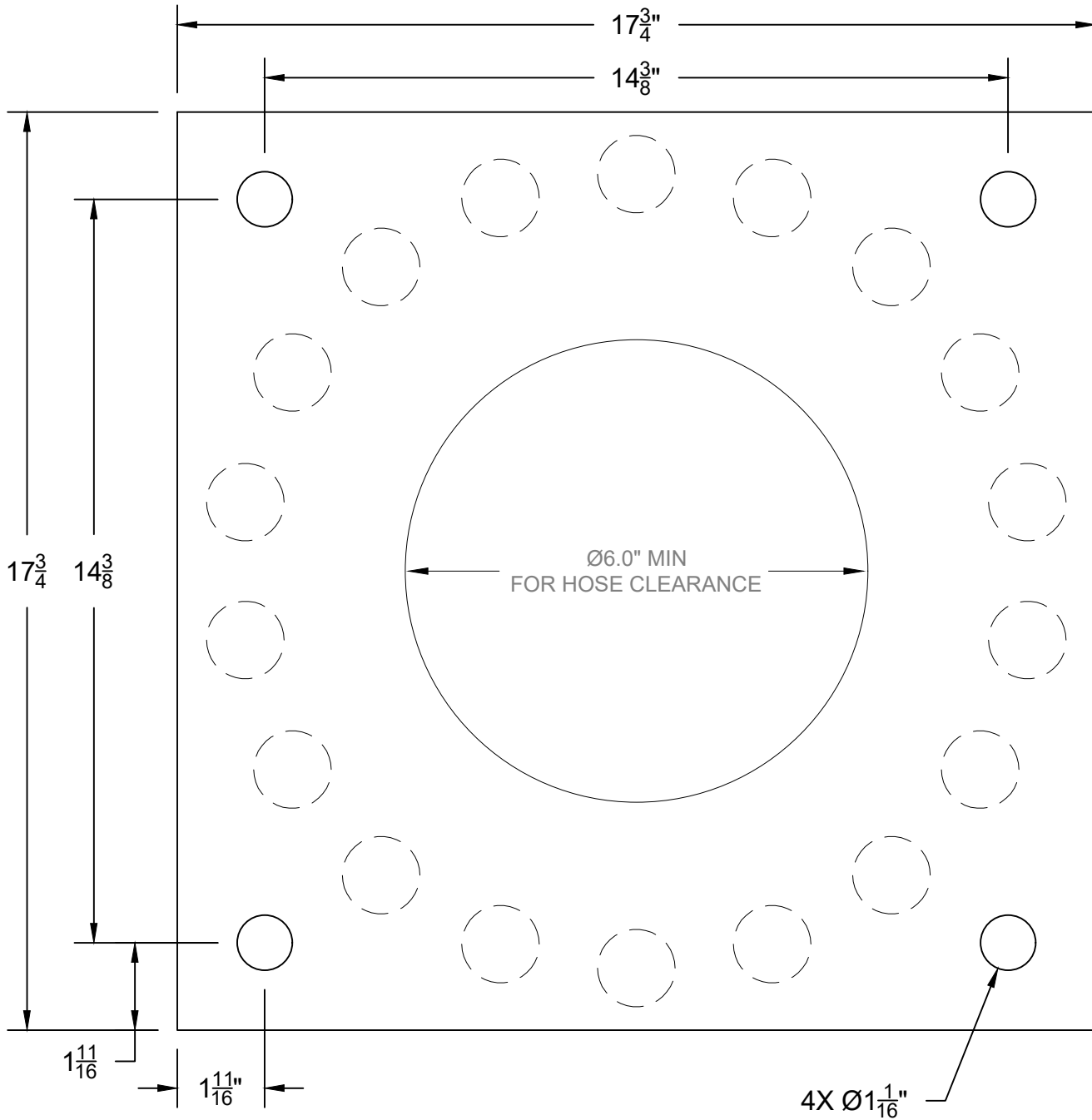
DATE  
05-25-23

SUPERSEDES  
-

SECTION  
C100

26894

# HT40/45/50KX SERIES MOUNTING DIMENSIONS



VENCO VENTURO INDUSTRIES LLC  
CINCINNATI, OHIO

TITLE  
MOUNTING DIMENSIONS

DATE  
05-25-23

SECTION  
C100

HT40/45/50KX SERIES

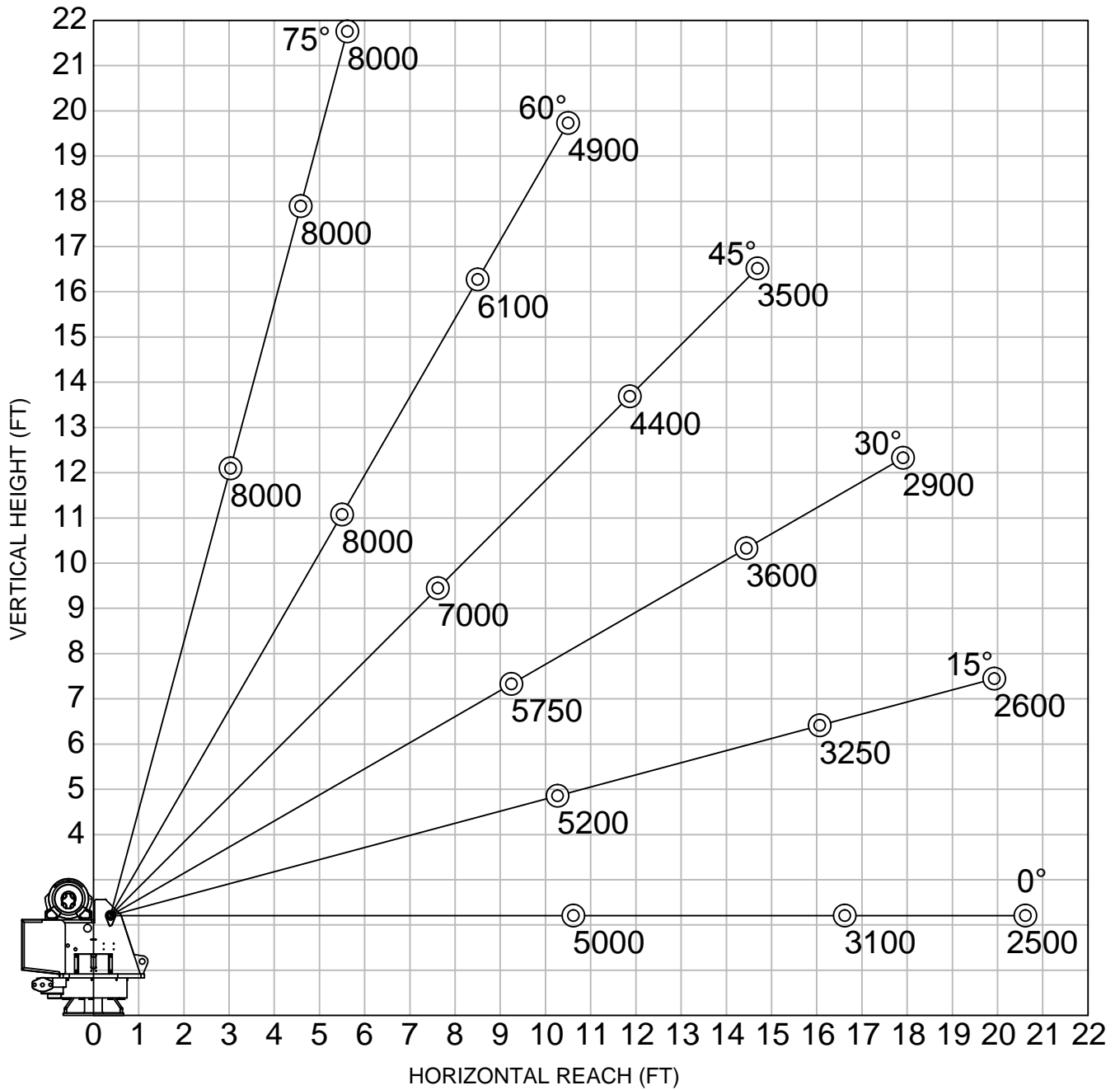
SUPERSEDES  
-

26892

HT50KX, 10'-16'-20' BOOM

▲ CRANE SERIAL NUMBER: \_\_\_\_\_

MAXIMUM LOAD CAPACITY CHART



WEIGHT OF LOAD HANDLING DEVICES ARE PART OF THE LOAD AND MUST BE DEDUCTED FROM THE GROSS CAPACITY.

LOAD BLOCK USAGE

1 PART LINE FOR LOADS LESS THAN 4000 LBS

2 PART LINE FOR LOADS OF 4000 LBS AND GREATER

WEIGHT OF LOAD BLOCK = 51 LBS



VENCO VENTURO INDUSTRIES LLC  
CINCINNATI, OHIO

TITLE  
MAXIMUM LOAD CAPACITY

HT50KX, 10'-16'-20' BOOM

DATE  
05-03-16F

SUPERSEDES  
04-30-13E

SECTION  
C100

22351



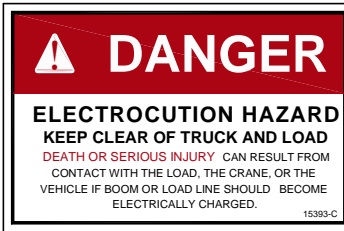
# SECTION 150

## SAFETY

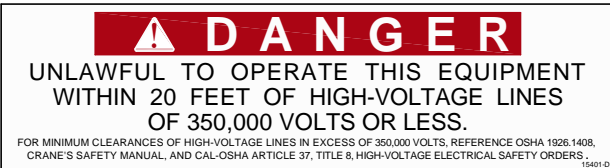


VENCO VENTURO INDUSTRIES LLC  
CINCINNATI, OHIO

# VEHICLE & CRANE MOUNTED ELECTRICAL HAZARD SIGN APPLICATION & INFORMATION



SIGN NO. 15393 DISPLAYS THE INTERNATIONAL SYMBOL FOR ELECTRICITY AND WARNS OF DANGER FROM AN ELECTRICALLY CHARGED VEHICLE, CRANE, OR LOAD. FOUR ARE RECOMMENDED (ONE FOR EACH SIDE AND ONE FOR EACH END OF VEHICLE) TO BE APPLIED IN LOCATIONS WHICH ARE READILY VISIBLE TO GROUND PERSONNEL.



SIGN NO. 15401 PROVIDES ADDITIONAL WARNING OF LEGAL REQUIREMENTS WHEN OPERATING NEAR HIGH VOLTAGE LINES. THIS SIGN IS PLACED ON THE CONTROL PENDANT SIDE OF BOOM.

Table A - Minimum Clearance Distances

Voltage (nominal, kV, alternating current)	Minimum clearance distance (feet) *
Up to 50.....	10
over 50 - 200.....	15
over 200 - 350.....	20
over 350 - 500.....	25
over 500 - 750.....	35
over 750 - 1000.....	45
Over 1000.....	(as established by the utility owner/operator or registered professional engineer who is a qualified person with respect to electrical power transmission and distribution).

Table T - Minimum Clearance Distances While Traveling With No Load

Voltage (nominal, kV, alternating current)	While traveling - minimum clearance distance (feet) *
0 - 0.75.....	4
over 0.75 - 50.....	6
over 50 - 345.....	10
over 345 - 750.....	16
over 750 - 1000.....	20
Over 1000.....	(as established by the utility owner/operator or registered professional engineer who is a qualified person with respect to electrical power transmission and distribution).

\* NOTE: ENVIRONMENTAL CONDITIONS SUCH AS FOG, SMOKE, OR PRECIPITATION MAY REQUIRE INCREASED CLEARANCES



VENCO VENTURO INDUSTRIES LLC  
CINCINNATI, OHIO

TITLE	DATE	SECTION
HAZARD APPS & INFO	02-21-14M	C150
ET/HT CRANES	SUPERSEDES 12-20-13L	15394

# CRANE SAFETY AND HAZARDS

## HT SERIES CRANES

### **CAUTIONS**

1. INSPECT VEHICLE AND CRANE, INCLUDING OPERATION, PRIOR TO USE DAILY.
2. DO NOT USE THIS EQUIPMENT EXCEPT ON SOLID, LEVEL SURFACE WITH CRANE MOUNTED ON FACTORY-RECOMMENDED TRUCK.
3. BEFORE OPERATING THE CRANE, REFER TO MAXIMUM LOAD (CAPACITY) CHART ON CRANE FOR OPERATING (LOAD) LIMITATIONS.
4. DO NOT OPERATE, WALK, OR STAND BENEATH BOOM OR A SUSPENDED LOAD.
5. ATTACH PENDANT CORD SUPPORT SNAP TO ATTACHMENT POINT BEFORE PLUGGING IN PENDANT.
6. UNPLUG PENDANT AND DISENGAGE PTO SYSTEM WHEN CRANE NOT IN USE.
7. FOR TRAVEL, BOOM MUST BE IN STOWED POSITION.

### **DANGER**

- THIS CRANE IS NOT A PASSENGER LIFT
- IT IS NOT DESIGNED OR INTENDED TO BE USED TO LIFT, SUPPORT, OR OTHERWISE TRANSPORT PERSONNEL.

### **YOU MUST NOT OPERATE THIS CRANE UNLESS**

1. YOU HAVE BEEN TRAINED IN THE SAFE OPERATION OF THIS CRANE  
*AND*
2. YOU KNOW AND FOLLOW THE SAFETY AND OPERATING RECOMMENDATIONS CONTAINED IN THE MANUFACTURER'S MANUALS, YOUR EMPLOYER'S WORK RULES, AND APPLICABLE GOVERNMENT REGULATIONS. AN UNTRAINED OPERATOR SUBJECTS HIMSELF AND OTHERS TO DEATH OR SERIOUS INJURY.

### **ELECTROCUTION HAZARD**

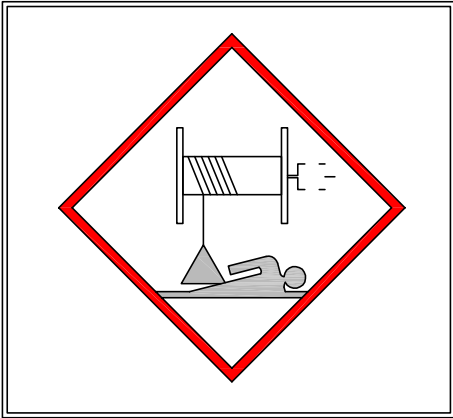
- THIS MACHINE IS NOT INSULATED.
- MAINTAIN SAFE CLEARANCES FROM ELECTRICAL LINES AND APPARATUS.
- YOU MUST ALLOW FOR BOOM SWAY, ROCK OR SAG, AND ELECTRICAL LINE AND LOADLINE SWAYING.
- THIS LIFTING DEVICE DOES NOT PROVIDE PROTECTION FROM CONTACT WITH OR PROXIMITY TO AN ELECTRICALLY CHARGED CONDUCTOR.
- YOU MUST MAINTAIN A CLEARANCE OF AT LEAST 20 FEET BETWEEN ANY PART OF THE CRANE, LOADLINE, OR LOAD, AND ANY ELECTRICAL LINE OR APPARATUS CARRYING UP TO 350 kV (SEE NEW CHART). ADDITIONAL CLEARANCES ARE REQUIRED FOR VOLTAGES IN EXCESS OF 50,000 VOLTS. REFER TO DRAWING 15394 FOR ADDITIONAL INFORMATION.
- **DEATH OR SERIOUS INJURY** WILL RESULT FROM CONTACT OR INADEQUATE CLEARANCE.



VENCO VENTURO INDUSTRIES LLC  
CINCINNATI, OHIO

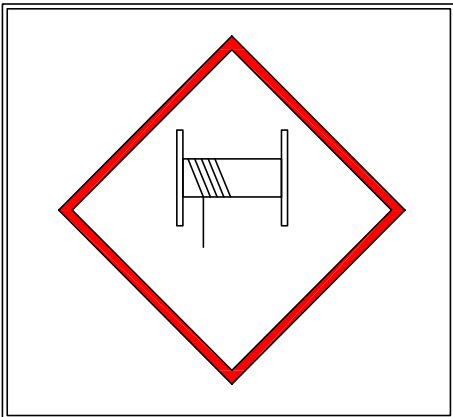
TITLE	DATE	SECTION
CRANE SAFETY & HZRDS	02-21-14D	C150
HYDRAULIC CRANES	SUPERSEDES 04-04-12C	<b>920612</b>

# WINCH SAFETY WARNINGS



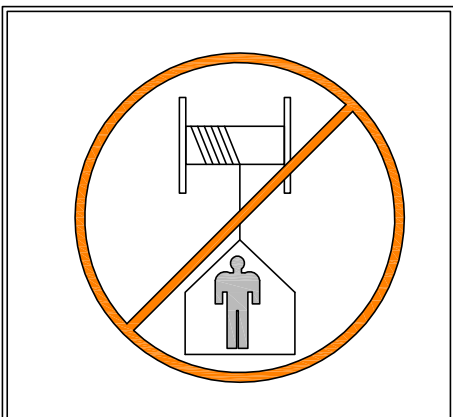
**DANGER**

- DO NOT DISENGAGE WINCH UNDER LOAD



**DANGER**

- THE LAST [5] (DEAD) WRAPS OF WIRE ROPE MUST BE LEFT ON TO ASSIST WIRE ROPE CLAMP IN HOLDING LOAD



**WARNING**

- Winches are not to be used to lift, support, or otherwise transport personnel



VENCO VENTURO INDUSTRIES LLC  
CINCINNATI, OHIO

TITLE  
**WINCH SAFETY**  
HT CRANES

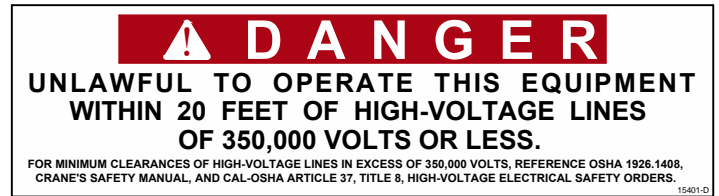
DATE  
02-21-14D  
SUPERSEDES  
04-04-12C

SECTION  
C150  
**19217**

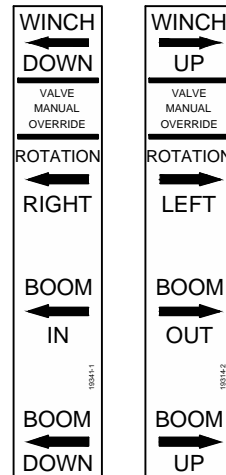
PART NO.: 15398  
 DECAL: UNPLUG REMOTE CONTROL  
 FUNCTION: To inform the operator to unplug remote control when not being used.  
 QUANTITY: 1  
 PLACEMENT: Right side of housing.



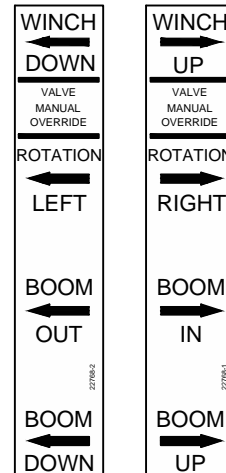
PART NO.: 15401  
 DECAL: UNLAWFUL TO OPERATE  
 FUNCTION: To inform the operator of proper operation in vicinity of power lines.  
 QUANTITY: 1  
 PLACEMENT: Right side of housing.



PART NO.: 19314-1 [LEFT] & -2 [RIGHT]  
 DECAL: MANUAL OVERRIDE (NON-PROP)  
 FUNCTION: To inform the operator of manual override locations.  
 QUANTITY: 1 EACH  
 PLACEMENT: Inside of rear cover.



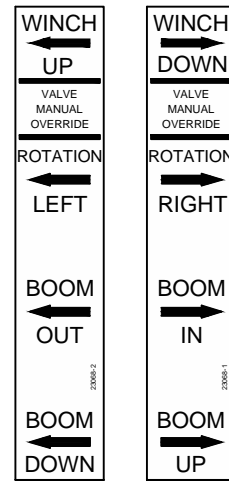
PART NO.: 22768-1 [LEFT] & -2 [RIGHT]  
 DECAL: MANUAL OVERRIDE (PROPORTIONAL)  
 FUNCTION: To inform the operator of manual override locations.  
 QUANTITY: 1  
 PLACEMENT: Inside of rear cover.



VENCO VENTURO INDUSTRIES LLC  
 CINCINNATI, OHIO

TITLE	DATE	SECTION
DECAL DRAWING & LIST	11-30-22E	C150
HT40/50/60/66 SERIES	SUPERSEDES 02-21-14D	22181A

▲  
 PART NO.: 23068-1 [LEFT] & -2 [RIGHT]  
 DECAL: MANUAL OVERRIDE  
 (HT66KXX w/ TH-2 Winch ONLY)  
 FUNCTION: To inform the operator of  
 manual override locations.  
 QUANTITY: 1  
 PLACEMENT: Inside of rear cover.



PART NO.: 19315-1  
 DECAL: SHUT OFF (NON-PROPORTIONAL)  
 FUNCTION: To show the operator how to  
 override master shut off valve.  
 QUANTITY: 1  
 PLACEMENT: Inside rear cover.

**WARNING!**

KEEP VALVE IN NORMAL POSITION.  
 OVERRIDE POSITION IS INTENDED  
 FOR EMERGENCY USE ONLY.

**NON-PROPORTIONAL VALVE**  
 PUSH IN STEM  
 AND ROTATE

19315-1 Rev B

PART NO.: 19315-2  
 DECAL: MANUAL OVERRIDE (PROPORTIONAL)  
 FUNCTION: To show the operator how to  
 override proportional valve.  
 QUANTITY: 1  
 PLACEMENT: Inside rear cover.

**WARNING!**

KEEP VALVE IN NORMAL POSITION.  
 OVERRIDE POSITION IS INTENDED  
 FOR EMERGENCY USE ONLY.

**PROPORTIONAL VALVE**  
 ROTATE STEM

19315-2 Rev B

PART NO.: 20834  
 DECAL: MANUAL OVERRIDE NOTICE  
 FUNCTION: To inform the operator of  
 manual override locations.  
 QUANTITY: 1  
 PLACEMENT: Inside rear cover.

**NOTICE**

FOR MANUAL OVERRIDE  
 OF CRANE FUNCTIONS,  
 REMOVE REAR COVER  
 AND SEE INSTRUCTIONS  
 INSIDE.

20834-B

PART NO.: 15390

DECAL: CAUTION - INSPECT VEHICLE & CRANE

FUNCTION: To inform the operator of key operating requirements.

QUANTITY: 1

PLACEMENT: Left side of rear cover.



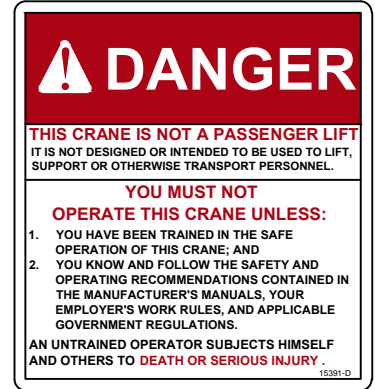
PART NO.: 15391

DECAL: DANGER - NOT PASSENGER LIFT

FUNCTION: To inform the operator not to lift, support or transport personnel, and to ensure that crane operator is adequately trained.

QUANTITY: 1

PLACEMENT: Left side of rear cover.



PART NO.: 15392

DECAL: DANGER - ELECTROCUTION HAZARD

FUNCTION: To inform the operator that the machine (crane) represents an electrocution hazard should it come too near or in contact with electrical voltage source.

QUANTITY: 1

PLACEMENT: Left side of rear cover.



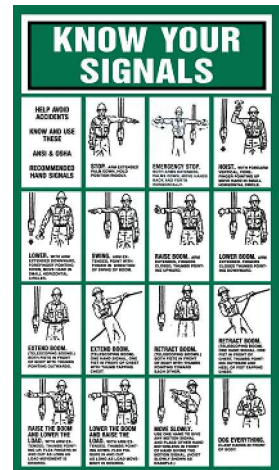
PART NO.: 22499

DECAL: KNOW YOUR SIGNALS

FUNCTION: To inform the operator of proper signals.

QUANTITY: 1

PLACEMENT: Right side of rear cover.



VENCO VENTURO INDUSTRIES LLC  
CINCINNATI, OHIO

TITLE  
DECAL DRAWING & LIST

HT40/50/60/66 SERIES

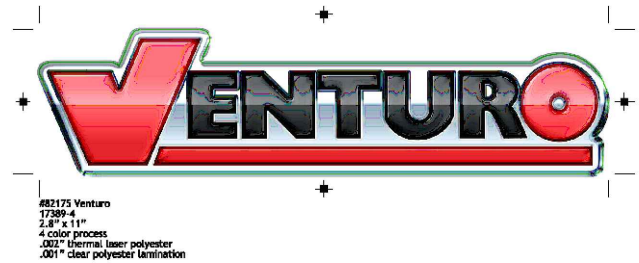
DATE  
11-30-22F

SUPERSEDES  
02-21-14E

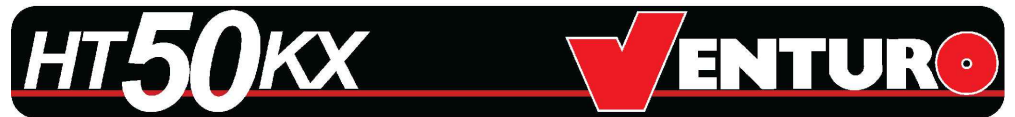
SECTION  
C150

22181C

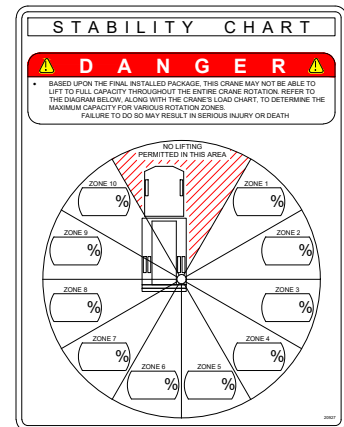
PART NO.: 17389  
 DECAL: MEDIUM VENTURO  
 FUNCTION: Branding.  
 QUANTITY: 1  
 PLACEMENT: Rear cover.



PART NO.: 28520  
 DECAL: MODEL HT50KX  
 FUNCTION: Branding.  
 QUANTITY: 2  
 PLACEMENT: Boom.



PART NO.: 20927  
 DECAL: CRANE STABILITY  
 FUNCTION: To inform the operator of the crane's lifting capacity throughout the entire rotation.  
 QUANTITY: 1  
 PLACEMENT: In prominent location, so it is easily seen and readily identifiable.



VENCO VENTURO INDUSTRIES LLC  
 CINCINNATI, OHIO

TITLE  
**DECAL DRAWING & LIST**  
 HT50KX

DATE  
 06-16-23  
 SUPERSEDES  
 -

SECTION  
 C150  
**28521**



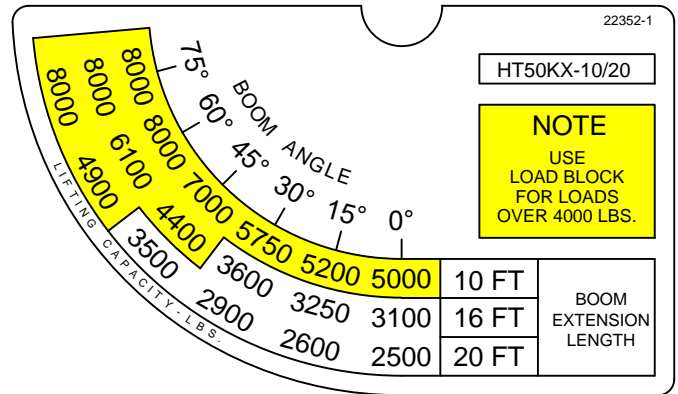
PART NO.: 22352-1

HT50-20' BOOM CAPACITY, RIGHT SIDE

FUNCTION: To show the operator the operating capacities of the crane

QUANTITY: 1

PLACEMENT: Right side of boom



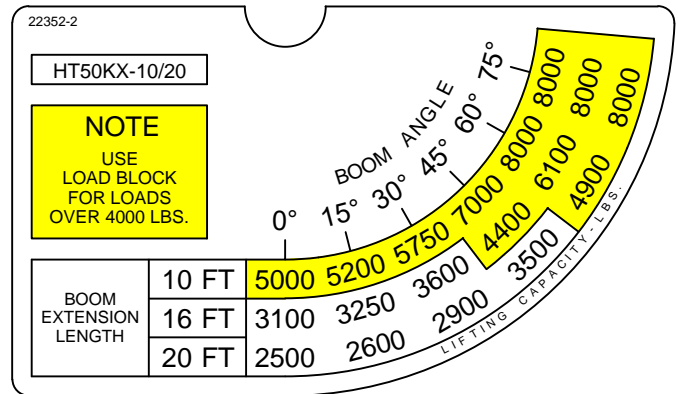
PART NO.: 22352-2

HT50-20' BOOM CAPACITY, LEFT SIDE

FUNCTION: To show the operator the operating capacities of the crane

QUANTITY: 1

PLACEMENT: Left side of boom



VENCO VENTURO INDUSTRIES LLC  
CINCINNATI, OHIO

TITLE  
BOOM CAPACITY DECALS

DATE  
03-15-24

SECTION  
C150

HT50-20'

SUPERSEDES  
-

28407

# SECTION 200

# INSTALLATION



VENCO VENTURO INDUSTRIES LLC  
CINCINNATI, OHIO

### BODY REINFORCEMENT

The truck body must be reinforced and outriggers provided to withstand the combined loads resulting from lifting and the weight of the crane and boom.

The maximum combined overturning moment for the HT40KX is 45,000 ft. lbs. and for the HT50KX is 55,000 ft. lbs.

The maximum vertical loads for the HT40/50KX are listed based on the boom length:

BOOM LENGTH (FT)	HT40KX		HT50KX	
	20'	25'	20'	25'
MAX VERTICAL LOAD (LBS)	7900	8050	9900	10050

### CRANE MOUNTING

The crane base plate or mounting pedestal must be bolted to the body reinforcing plate with four [4] grade eight (8) bolts of 1" dia. with coarse threads, torqued to 680 foot pounds.

A 6" dia. hose clearance hole must be cut in this plate to allow the hoses to swing and coil freely.

### ROTATION POSITIONING

The HT cranes are shipped with the boom rotated as shown on drawing 20051. It can be in any position that pleases the user since the boom can always reach the storage and travel position by rotating one way or the other.

### HYDRAULIC CONNECTIONS

The crane is furnished with a pressure, return and a case drain hoses that come down through the center of the housing. The pressure and return hoses connect to two hydraulic swivels to prevent damage while rotating the crane right and left.



# C A U T I O N



- THE CASE DRAIN HOSE MUST BE A DEDICATED RETURN HOSE UNRESTRICTED TO TANK / RESERVOIR. DO NOT 'T' INTO ANOTHER EXISTING RETURN HOSE OR DAMAGE TO THE HYD. WINCH FROM BACK-PRESSURE WILL OCCUR. BACK-PRESSURE IN EXCESS OF 200 PSI WILL DAMAGE THE HYD. WINCH.

Arrange the pressure & return hoses in the compartment below the crane so that they are connected in a relaxed position while the crane is at the midpoint of the 400 degree rotation range -- regardless of the final position of the boom during storage/travel. See installation pages 22913 for more information on hose connections.



VENCO VENTURO INDUSTRIES LLC  
CINCINNATI, OHIO

TITLE  
**CRANE INSTALLATION**  
HT40/50KX

DATE  
05-26-23  
SUPERSEDES  
-

SECTION  
C200  
**26895**

# CRANE INSTALLATION, PAGE 2

## HT40/50 SERIES CRANES

### ▲ ELECTRICAL CONNECTIONS

A 9 ft. electrical power lead - intended for 12V DC only - comes down through the center of the crane base plate along with the hoses. This power lead should be slacked in the compartment so that it remains relaxed throughout the 400 degree rotation of the crane.

A 20 amp circuit breaker is mounted on the crane and protects the crane's internal wiring and solenoid coils. The 20 amp circuit breaker does not protect the 9 ft. power lead. For added protection, the 9 ft. lead can be connected to a 20 amp protected circuit that, if possible, is powered only when the vehicle engine is running.

### HYDRAULIC FLUID

<u>Average Climate</u>	<u>Type of Oil</u>
Cold to Moderate	ISO Grade AW 46
Warm to Hot	ISO Grade AW 68

The fluid should have the highest anti-wear characteristics and treated to inhibit rust and oxidation.

### ▲ HYDRAULIC HOSES & LINES

The minimum sizes for lines and hoses are as follows:

HYDRAULIC LINES	NON-PROPORTIONAL	PROPORTIONAL
PRESSURE	3/8"	5/8"
RETURN	1/2"	3/4"
SUCTION	3/4"	1-1/4"

### RESERVOIR

The PTO reservoir should have a capacity of 10 gallons (non-proportional) or 25 gallons (proportional) fitted with 100 mesh suction screen, 10 micron return line filter, and filler/breather cap.

### ▲ PTO PUMP

The PTO pump should be sized to allow an engine idle speed range that will deliver approximately 2.5 GPM for the HT40 non-proportional, 12.0 GPM for the HT40 proportional, 3.0 GPM for the HT50 non-proportional, or 12.0 GPM for the HT50 proportional. These cranes' relief pressures are all set at 3000 psi.

### ▲ PTO START-UP

Before connecting the PTO system to the crane pressure and return hoses, connect the PTO pressure and return lines together at the bulkhead. Operate the PTO system for about two (2) minutes per gallon of reservoir capacity (10 gallon reservoir = 20 minutes / 25 gallon = 50 minutes) to flush out the lines and filter all the fluid several times.

### ENGINE START/STOP & THROTTLE CONTROL

If your crane was purchased with optional engine start/stop and throttle control, refer to drawing 22615 in the replacement parts section for further information.



VENCO VENTURO INDUSTRIES LLC  
CINCINNATI, OHIO

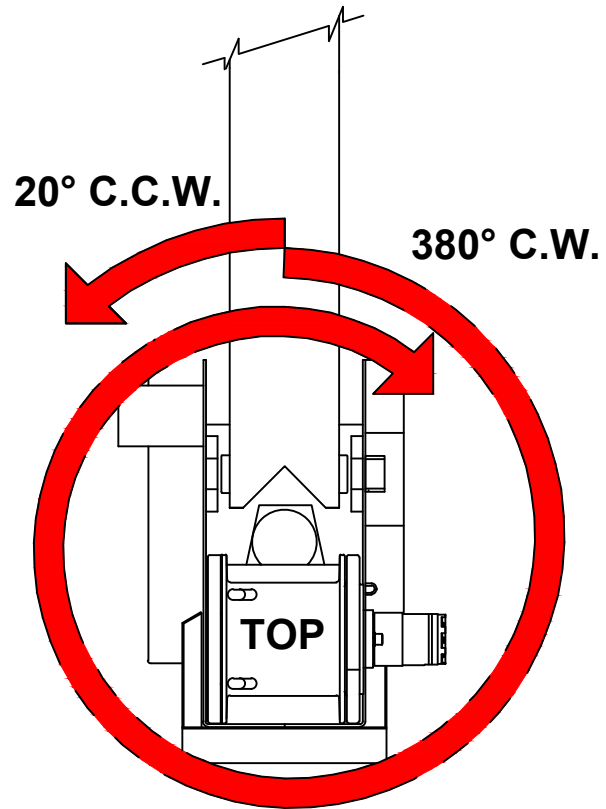
TITLE  
**CRANE INSTALLATION**  
HT40/50 SERIES CRANES

DATE  
05-10-21G  
SUPERSEDES  
07-31-15F

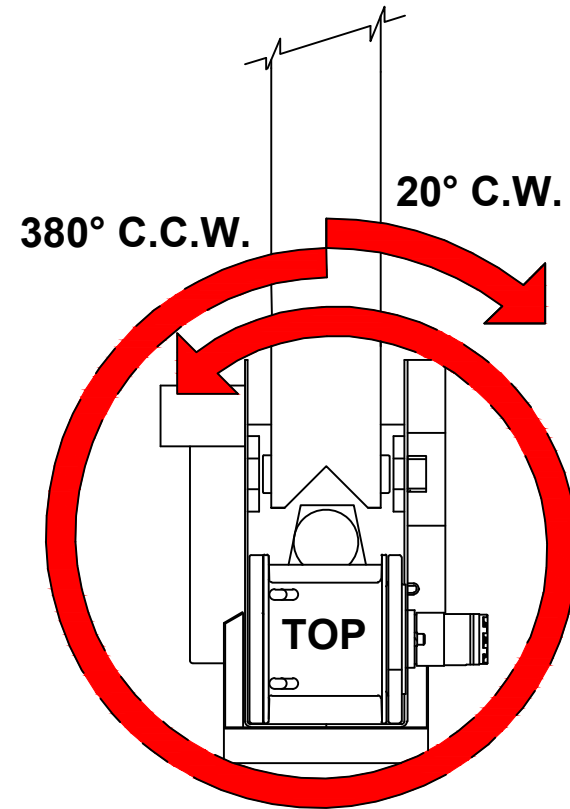
SECTION  
C200  
**22173**

# 400° ROTATION STOP LOCATION

CURBSIDE



STREETSIDE



VENCO VENTURO INDUSTRIES LLC  
CINCINNATI, OHIO

TITLE  
ROTATION STOP LOCATION

400° ROTATION CRANES

DATE  
03-09-23F

SUPERSEDES  
05-20-20E

SECTION  
C200

20051

# STABILITY TEST - HT50-20' SERIES

## Overview

Venturo follows the guidelines of ANSI B30.5 in defining stability. Generally speaking, a truck is considered stable as long as it is not on the verge of tipping - i.e. with the truck level, at least one tire on each corner of the truck must remain in contact with the ground.

It is important to note that nearly every installation is unique and will, therefore, typically require stability testing.

The procedure outlined below follows ANSI's (B30.5 - 5-1.1.1) specified "maximum load rating" of 85% of truck stability.

## Testing Procedure

1. Locate the truck on firm, level ground and set parking brake.
2. Fully deploy stabilizers, making sure they are firmly in contact with supportive ground; use stabilizer pads as required. The tires of the truck should remain in full contact with the ground.
3. Inspect wire rope and other key components of crane (consult owners manual for more information).
4. Conduct an operational check of all crane functions.
5. Locate the Overload Pressure Switch at the base of the elevation cylinder
  - 5.1. Disconnect the black & white wires from the housing and then connect the black & white wires together to by-pass the Overload Pressure Switch for the stability test. **Note: The black & white wires MUST be reconnected to the Overload Pressure Switch after the stability test has been completed.**
6. Use a **Test Weight** weighing a **minimum of 2941 lbs.**, (includes load block weight of 51 lbs.) to a **maximum of 3030 lbs.**
7. Position the boom level and fully retracted.
8. Referring to the Stability Chart (drawing 20907) rotate the crane to a position between 1 and 2 o'clock (truck cab is facing 12 o'clock) to begin testing.
9. Use the winch to lift the Test Weight; DO NOT allow the weight to be more than 6" off the ground at any time during testing (for safety).
10. Using a test weight weighing between **2941 to 3030 lbs.**, extend the boom slowly, until one of two conditions occur:
  - 10.1. Full extension is reached - Mark the ZONE in question **100%**
  - 10.2. The truck becomes unstable i.e. a tire lifts off the ground
    - 10.2.1. Retract the boom until at least one tire on each corner of the truck is making contact with the ground
    - 10.2.2. Use the formula below to determine the allowable **% of Rated Capacity** for the ZONE in question:
11. Note: The **"Max Stable Reach in inches"** is measured from the **center of rotation** of the crane housing to the **lifting load hook**.
 
$$\% \text{ Rated Capacity} = \frac{\text{"Max Stable Reach" in inches}}{247} \times 100$$
12. Record the **% of Rated Capacity** in the appropriate blank (region) on the Crane Stability page (ref. 20907) and decal.
13. Repeat Steps 7 through 12 for each ZONE on the stability page.



VENCO VENTURO INDUSTRIES LLC  
CINCINNATI, OHIO

TITLE

STABILITY TEST

HT50-20' SERIES

DATE

03-15-24D

SUPERSEDES

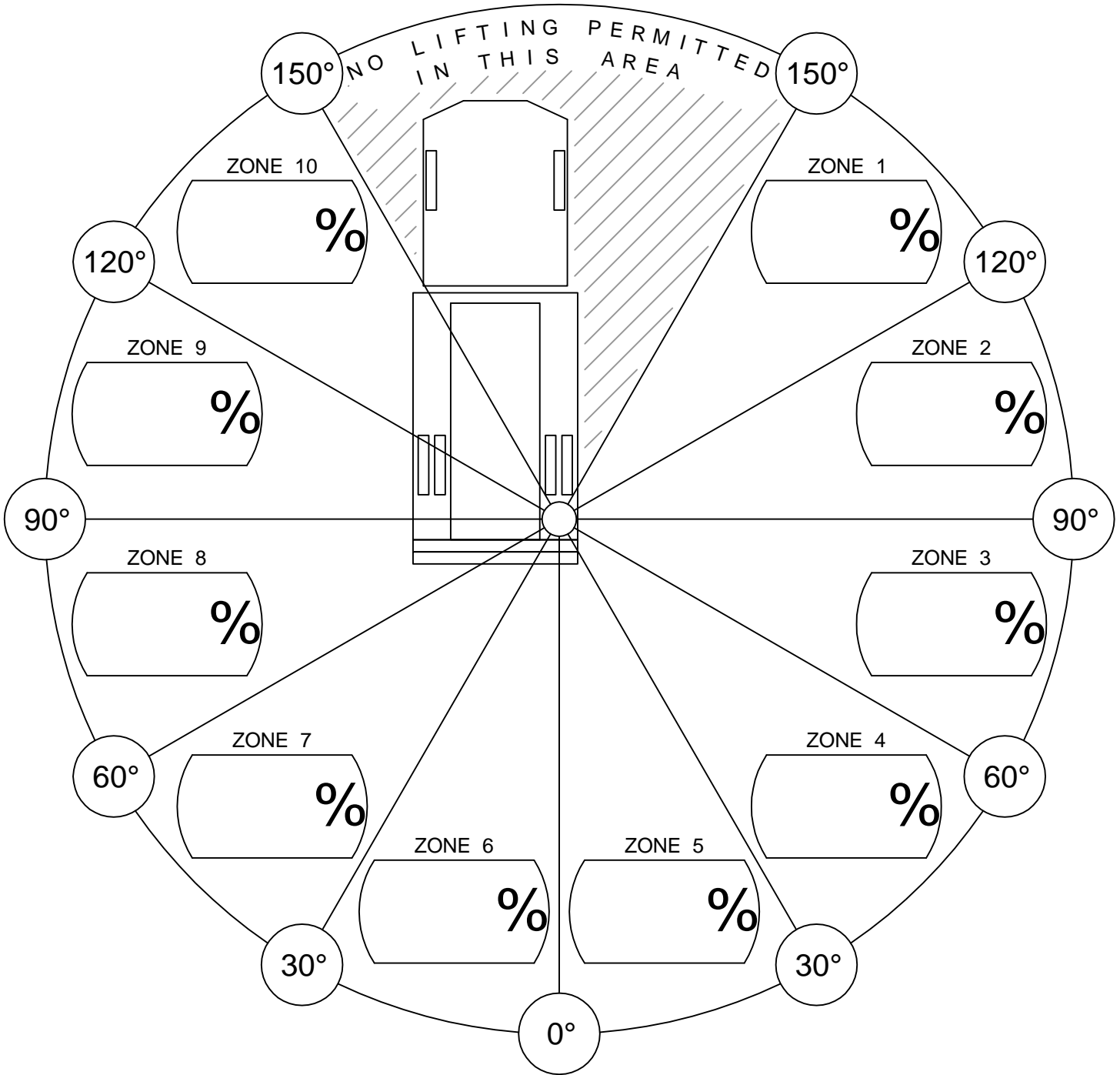
03-01-21C

SECTION

C200

20906-50

# CRANE STABILITY



% of Rated Capacity for each of the 10 regions are provided above.

**CONDITIONS:**

- STABILIZERS FULLY EXTENDED & DOWN, ON FIRM LEVEL GROUND.



VENCO VENTURO INDUSTRIES LLC  
CINCINNATI, OHIO

TITLE  
STABILITY CHART

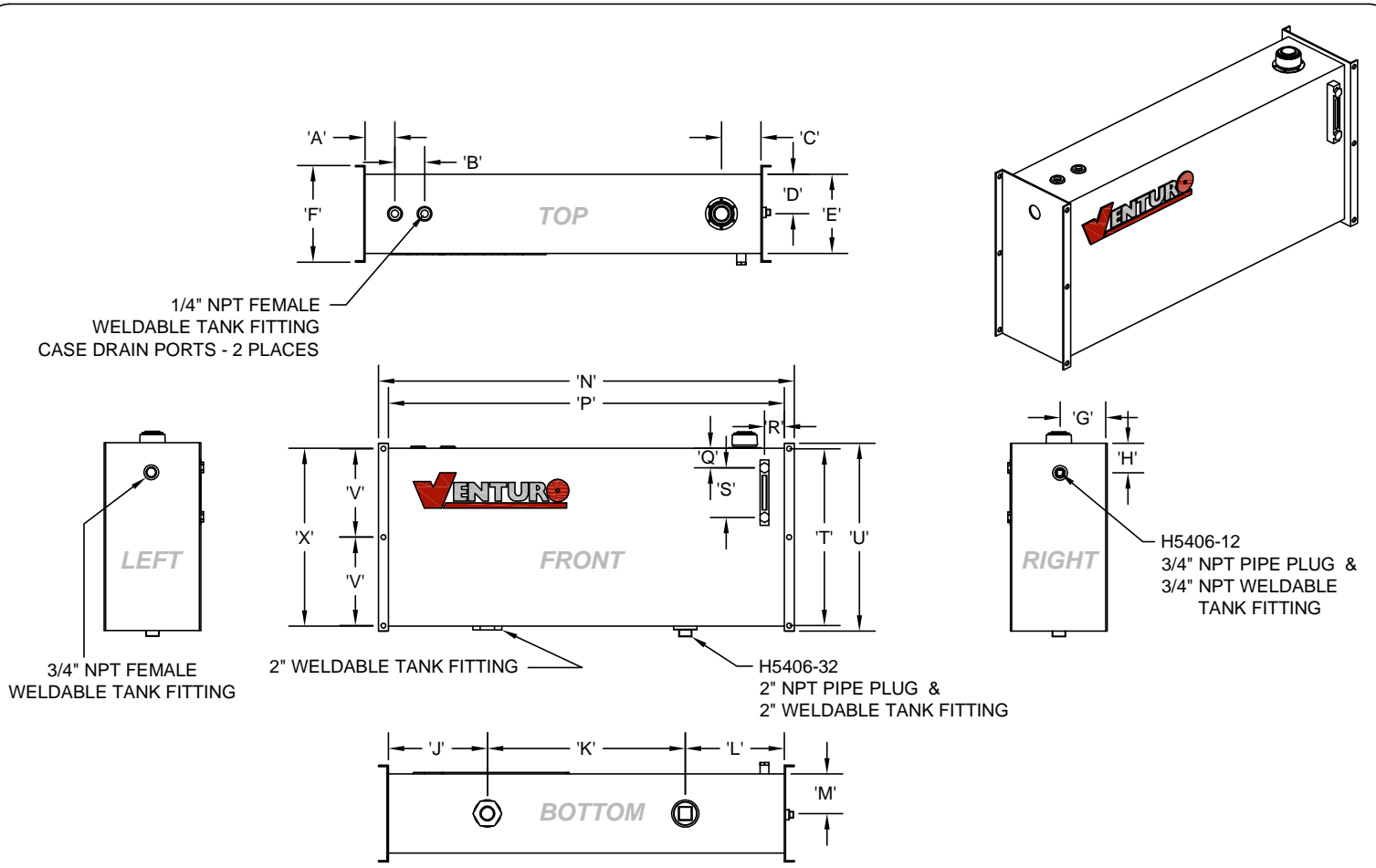
VENTURO CRANES

DATE  
05-11-17F

SUPERSEDES  
02-21-14E

SECTION  
C200

20907



ILLUSTRATIONS FOR REFERENCE ONLY!  
- COMPONENT LOCATIONS MAY DIFFER -

HYD. TANK DIMENSION (HTD) CHART			
DIMENSION	PART NO.	22786 (25 GAL.)	22999 (40 GAL.)
'A'		3"	3"
'B'		3"	3"
'C'		4"	4"
'D'		4"	5.5"
'E'		8"	11"
'J'		5"	6"
'K'		30"	30"
'L'		5"	6"
'M'		4"	5.5"
'P'		40"	42"
'Q'		2"	2"
'R'		2"	2"
'S'		5"	5"
'X'		18"	20"

MEASUREMENTS EXCLUDE MOUNTING APARATUSES

MOUNTING DIMENSION (TMD) CHART			
DIMENSION	PART NO.	22786 (25 GAL.)	22999 (40 GAL.)
'F'		9.75"	12"
'G'		4.875"	6"
'H'		3"	3"
'N'		42"	44"
'T'		17.875"	19.875"
'U'		19"	21"
'V'		8.938"	9.938"

MEASUREMENTS INCLUDE MOUNTING APARATUSES

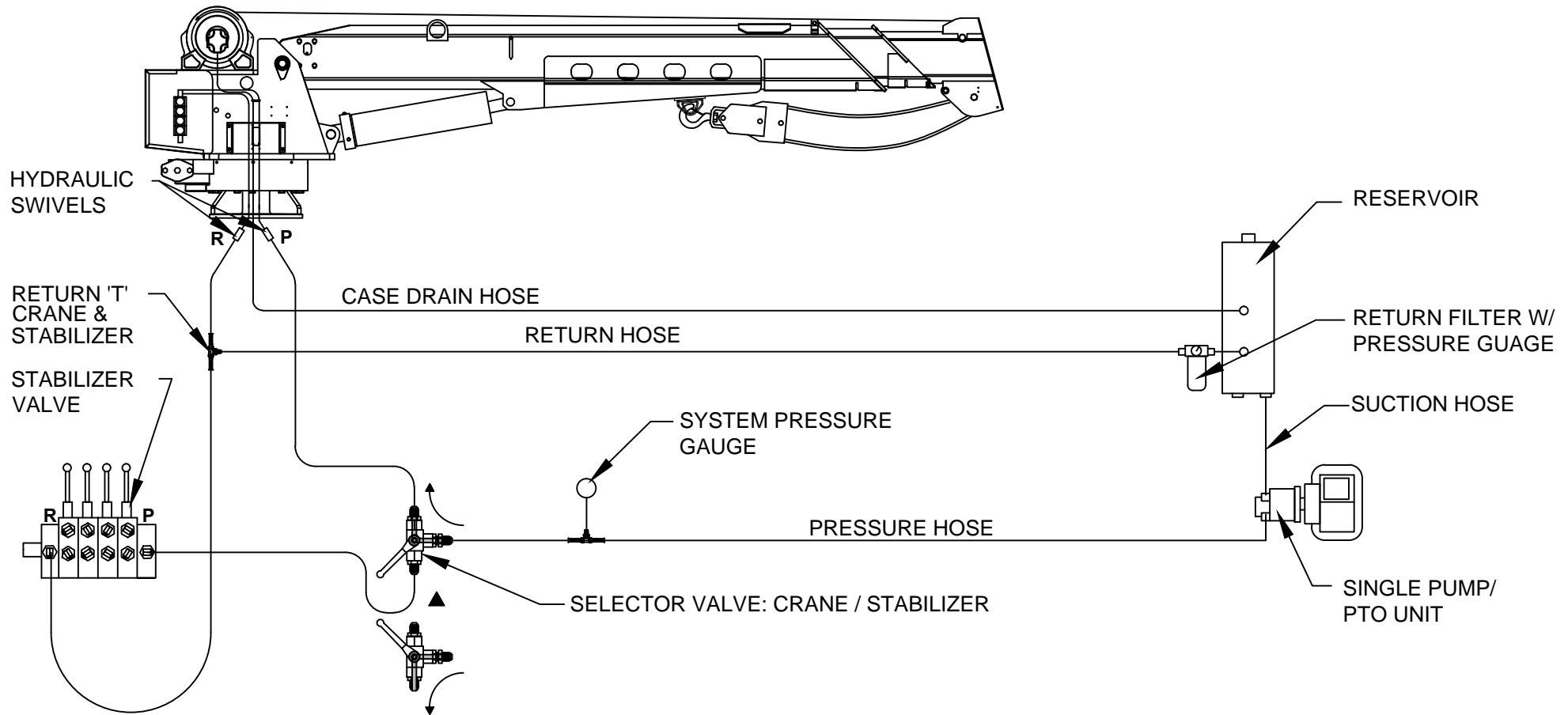


VENCO VENTURO INDUSTRIES LLC  
CINCINNATI, OHIO

TITLE	DATE	SECTION
RESERVOIR DIMENSIONS	02-21-14E	C200
HYD. TANKS (25/40 GAL.)	SUPERSEDES 06-04-13D	22825



**HYDRAULIC CIRCUIT CONNECTION GUIDE - SINGLE PUMP (NO COMPRESSOR)**  
 (REFER TO SECTION 200 FOR MORE INFORMATION, INCLUDING HOSE SPECIFICATIONS)



**CAUTION**

- SELECTOR VALVE MUST BE 'NON-CLOSED CENTER TRANSITION' TYPE.

**CAUTION**

- THE CASE DRAIN LINE FROM THE WINCH MUST HAVE AN UNRESTRICTED PATH TO TANK/ RESERVOIR.



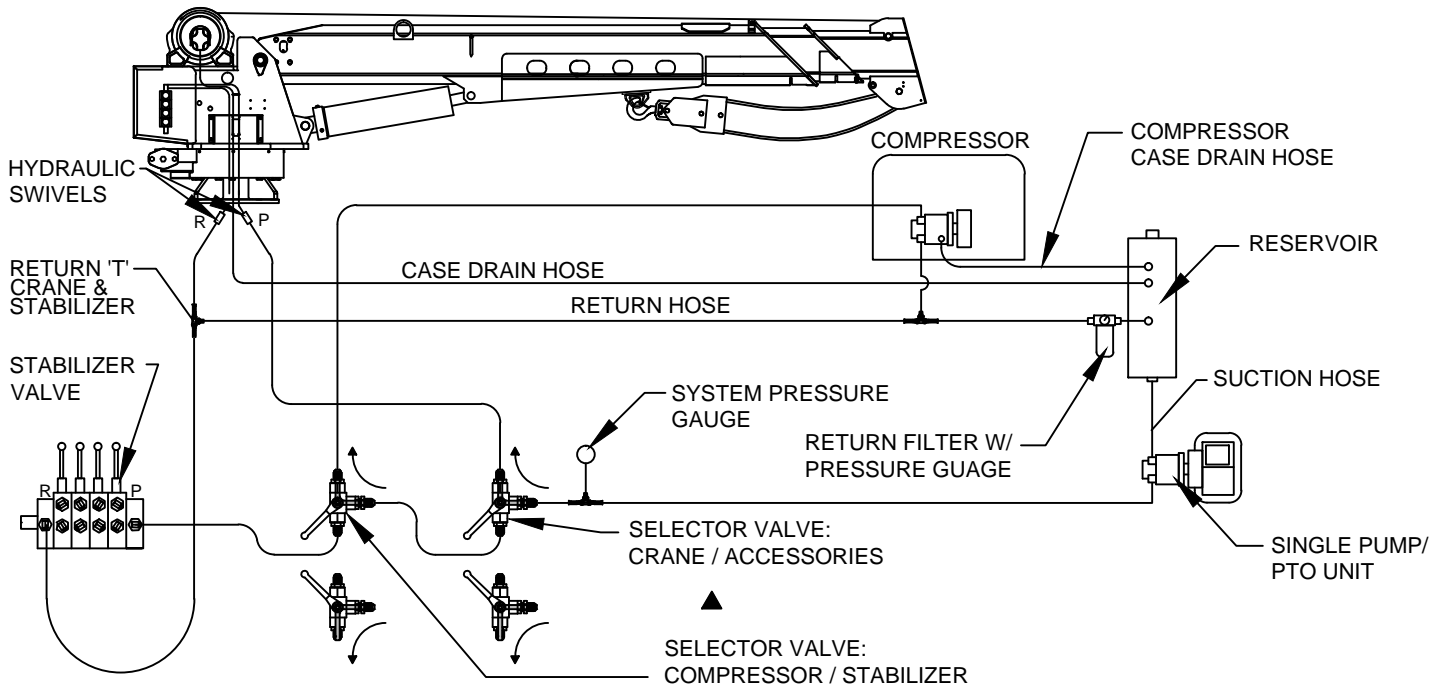
VENCO VENTURO INDUSTRIES LLC  
CINCINNATI, OHIO

TITLE  
**CONNECTION GUIDE, PAGE 1 / 2**  
 HT CRANES

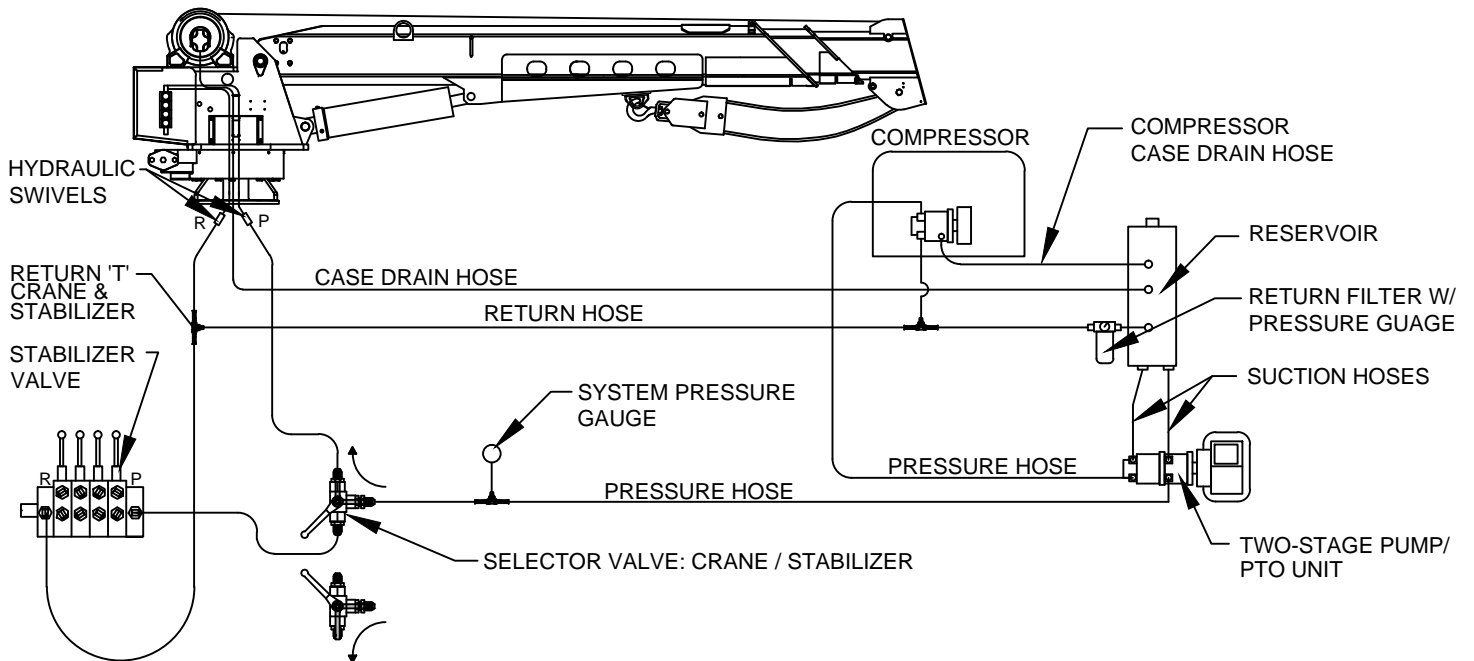
DATE  
 08-09-23C  
 SUPERSEDES  
 02-21-14B

SECTION  
 C200  
**23015**

# HYDRAULIC CIRCUIT CONNECTION GUIDE - SINGLE PUMP W/ COMPRESSOR



# HYDRAULIC CIRCUIT CONNECTION GUIDE - TWO-STAGE PUMP W/ COMPRESSOR



## CAUTION

- SELECTOR VALVE MUST BE 'NON-CLOSED CENTER TRANSITION' TYPE.

REFER TO SECTION 200 FOR MORE INFORMATION, INCLUDING HOSE SPECIFICATIONS



## CAUTION

- THE CASE DRAIN LINE FROM THE WINCH MUST HAVE AN UNRESTRICTED PATH TO TANK/ RESERVOIR.



VENCO VENTURO INDUSTRIES LLC  
CINCINNATI, OHIO

TITLE  
CNNCTN GDE, PAGE 2/2

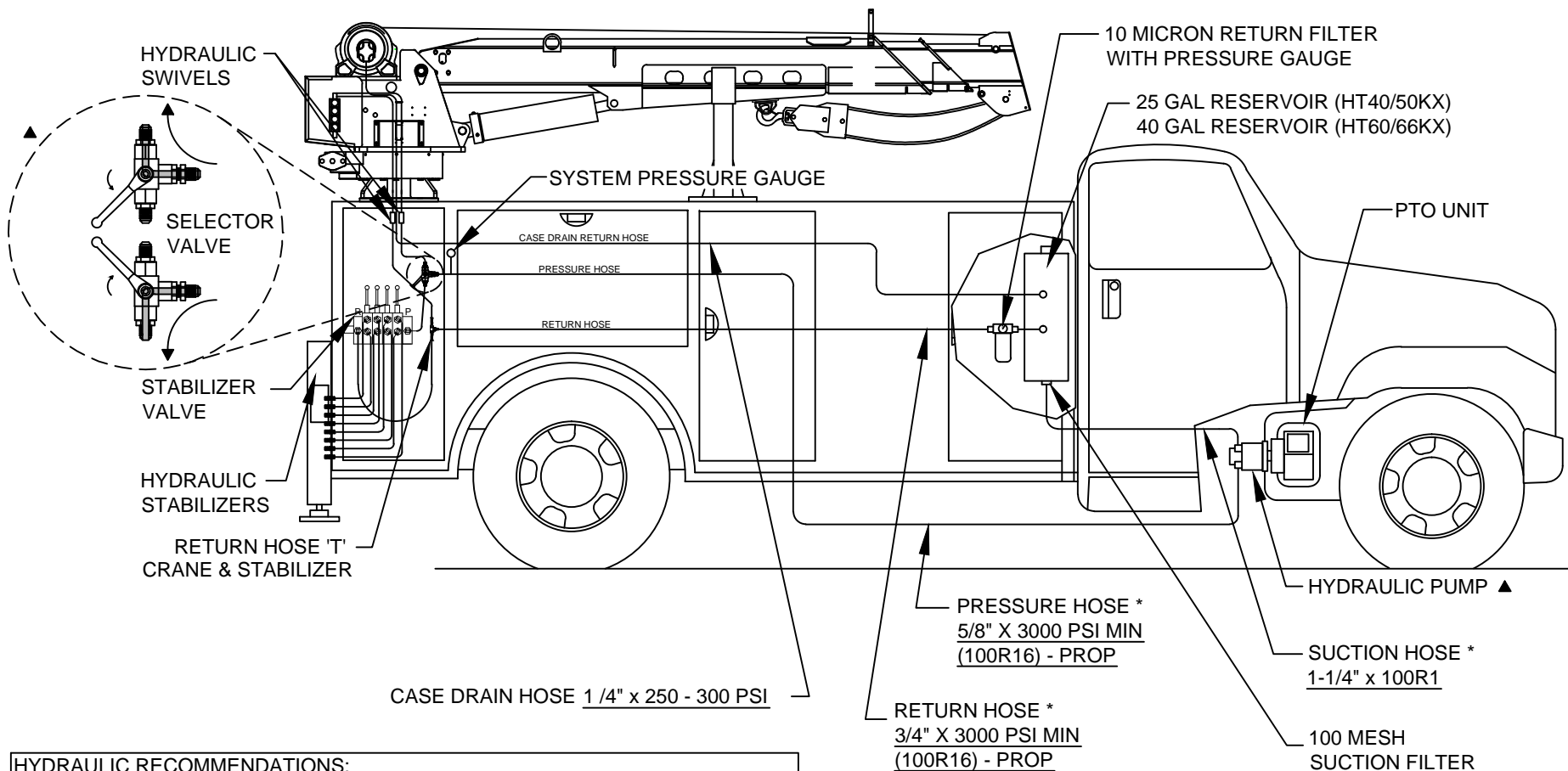
HT CRANES

DATE  
08-08-23C

SUPERSEDES  
02-21-14B

SECTION  
C200

23014



**HYDRAULIC RECOMMENDATIONS:**  
 HT40KX PROPORTIONAL - 12.0 GPM @ 3000 PSI (22784 PTO PACKAGE)  
 HT50KX PROPORTIONAL - 12.0 GPM @ 3000 PSI (22784 PTO PACKAGE)  
 HT60KX PROPORTIONAL - 12.0 GPM @ 3000 PSI (22998 PTO PACKAGE)  
 HT66KX PROPORTIONAL - 12.0 GPM @ 3000 PSI (22998 PTO PACKAGE)

**CAUTION**

- SELECTOR VALVE MUST BE 'NON-CLOSED CENTER TRANSITION' TYPE.

REFER TO SECTION 200 FOR MORE INFORMATION ON INSTALLING HYDRAULIC COMPONENTS.

\* HOSES AND FITTINGS BETWEEN PUMP, RESERVOIR, AND CRANE *NOT INCLUDED*.

**CAUTION**

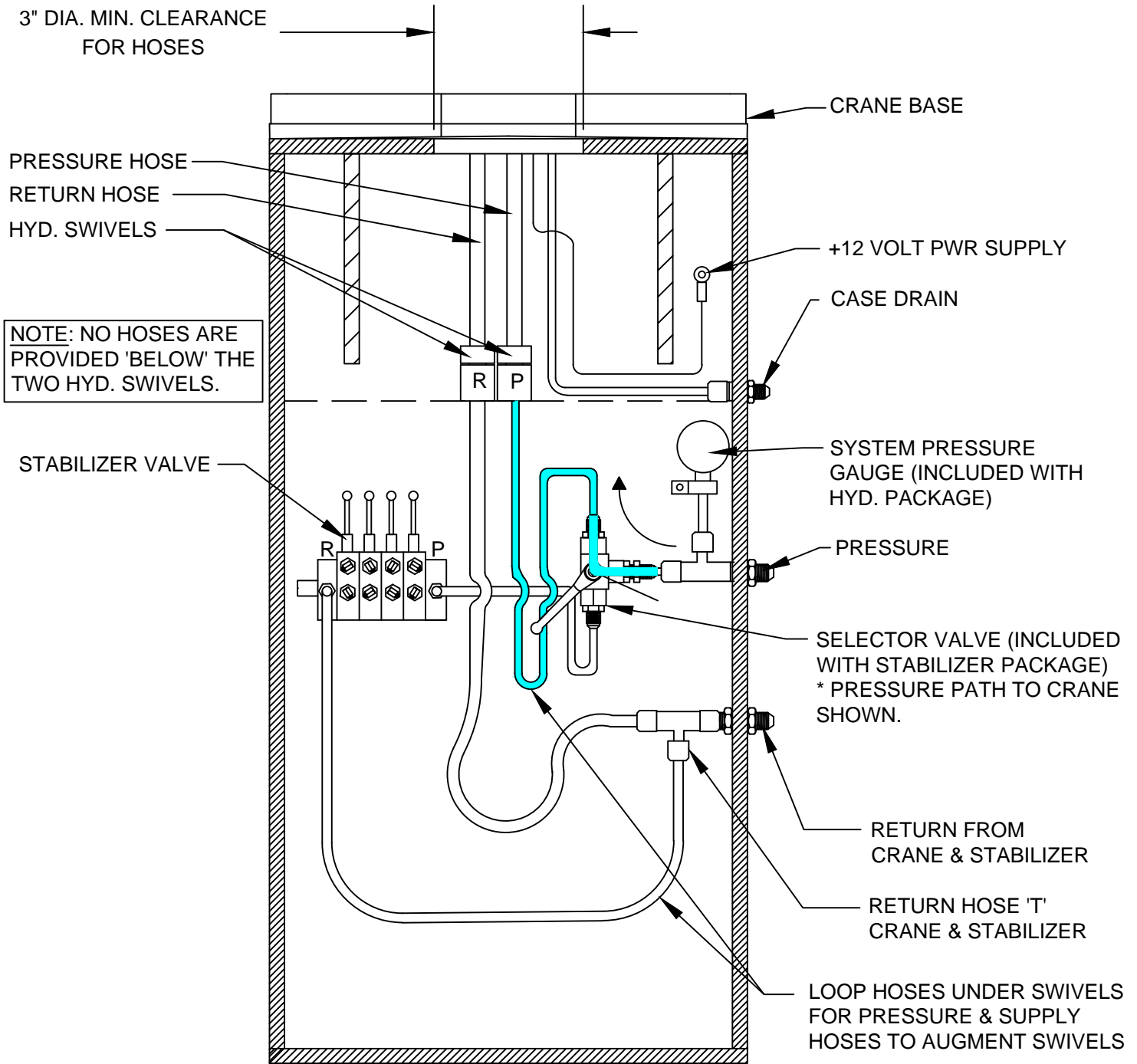
- THE CASE DRAIN LINE FROM THE WINCH MUST HAVE AN UNRESTRICTED PATH TO TANK/RESERVOIR.



VENCO VENTURO INDUSTRIES LLC  
 CINCINNATI, OHIO

TITLE	DATE	SECTION
HYDRAULIC COMPONENT INSTALLATION	08-08-23G	C200
HT40-66, PROPORTIONAL	SUPERSEDES 11-10-22F	22883

# RECOMMENDED SUPPLY & RETURN HOSE CONNECTIONS CRANE & STABILIZERS



## CAUTION

- SELECTOR VALVE MUST BE 'NON-CLOSED CENTER TRANSITION' TYPE VALVE.



## CAUTION

- CASE DRAIN MUST RETURN DIRECTLY TO RESERVOIR WITHOUT RESTRICTION.



VENCO VENTURO INDUSTRIES LLC  
CINCINNATI, OHIO

TITLE  
**CONNECTIONS GUIDE**

HT CRANES

DATE  
08-07-23G

SUPERSEDES  
02-21-14F

SECTION  
C200

22913

# WIRE ROPE INSTALLATION

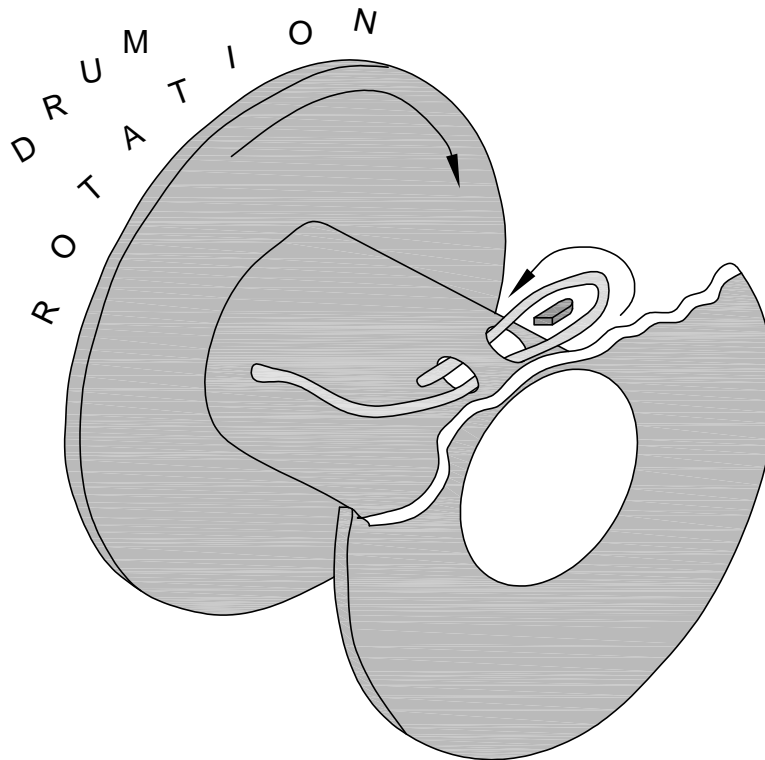


FIG. 1

- STEP 1: UNWIND COIL OF WIRE ROPE BY 'ROLLING' ALONG THE FLOOR. THIS WILL PREVENT 'KINKING'.
- STEP 2: INSERT WIRE ROPE END UP THROUGH ANTI-2-BLOCK (A2B) CAGE ASSEMBLY, BETWEEN CHEEK PLATES, OVER THE TOP SHEAVE, AND THROUGH WIRE ROPE GUIDE.
- STEP 3: INSERT WIRE ROPE END INTO POCKET OPENING ON WINCH, WRAP AROUND WEDGE, AND BACK THROUGH POCKET OPENING AS SHOWN IN FIGURE 1.



## CAUTION

- IF THE WIRE ROPE IS NOT INSTALLED FOR THE CORRECT DRUM ROTATION, THE WINCH BRAKE VALVE WILL NOT HOLD THE LOAD.



## CAUTION

- THERE MUST ALWAYS BE AT LEAST [5] DEAD WRAPS OF WIRE ROPE ON THE WINCH DRUM WHILE UNDER LOAD.

NOTE: SOME WINCHES MAY BE SUPPLIED WITH A HEX NUT IN LIEU OF A WEDGE FOR INSTALLING THE WIRE ROPE.



VENCO VENTURO INDUSTRIES LLC  
CINCINNATI, OHIO

TITLE

WIRE ROPE INSTALLTN

DATE

02-21-14K

SECTION

C200

ET6K & LARGER CRANES

SUPERSEDES

12-26-13J

22245

**SECTION 300**

**OPERATION**

**&**

**MAINTENANCE**



VENCO VENTURO INDUSTRIES LLC  
CINCINNATI, OHIO

# MAINTENANCE OVERVIEW INFORMATION

## MAINTENANCE

The crane requires only periodic lubrication. As a standard procedure, this can be done at the time the vehicle is serviced.

## GENERAL

Inspect wire rope for any evidence of kinks or fraying. Ensure that lifting hook of wire rope shows no evidence of damage and is functioning normally.

Inspect headache ball ("load block") for any signs of damage or excessive wear.

Service all grease fitting locations.

Inspect hydraulic hoses and hydraulic fittings for hydraulic leaks.

Inspect electrical connections for any looseness or corrosion.

Inspect bolts and verify all are tight, paying particular attention to winch, rotation system, and mounting base bolts.

Inspect all pins and snap rings for proper fit and function.

Inspect sheaves for excessive wear or play.

Perform a basic inspection of the winch with each use, monitoring for unusual noise or hydraulic leaks.

The winch planetary gearbox lube (SAE 90) should be maintained at the level plug (final base relief valve port) which is approximately half-full point.

To ensure optimal performance, the following oil change schedule should be followed:

Initial Change - after the initial 100 hours of operation or six months.

Periodic Change - after every 300 hours of operation or two years.

Temp Range (°F)	Winch Gear Oil
120° to 10°	High quality SAE 90 gear lubricant oil
Severe Duty	Swepeco #201 multi-purpose gear oil



VENCO VENTURO INDUSTRIES LLC  
CINCINNATI, OHIO

TITLE	DATE	SECTION
MAINTENANCE INFO	11-10-22D	C300
HT25/30/40/50/60/66KX(P)	SUPERSEDES 02-21-14C	23203

# CRANE OPERATION AND MAINTENANCE INSTRUCTIONS, PAGE 1

## HT40/50KX

### SAFETY

Before operating this crane, read and understand these instructions, the 920612 Crane Safety and Hazards Information Sheet, and review all safety & instruction labels on the crane .

### CRANE INSPECTION

Before operating this crane, inspect for wear, damage, or oil leakage. After the wire rope has been run out, check for wear, kinks, and broken strands. Check the hook and safety latch for damage. Correct any problems before using the crane.

***See Crane Safety Manual for proper inspection schedules and reports.***

### CAPACITY

Before operating this crane, review the capacity charts on the sides of the boom to relate the load to be lifted to the boom length and angle. The boom angle is shown by a gravity arrow.

### LOAD BLOCK

If the load exceeds 3000 lbs.-HT40KX or 4000 lbs.-HT50KX or if reduced winching speed for better control of smaller loads is required, use the load block to rig the crane for two part line operation .

### CONTROLS

This crane is operated by a remote control pendant. The pendant should be unplugged and stored in a compartment when the crane is not in use.

Before plugging the pendant in, inspect the plug, socket, cord, pendant head, and switches for damage. Actuate all four switches both ways to verify that they all have the same feel and sound and that they return to the center position.

Plug the pendant into the socket on the right side of the crane and secure with socket case handle.

### PTO SYSTEM

Check the hydraulic fluid level in the PTO system reservoir. Engage PTO and set the engine idle speed to provide the desired hydraulic flow rate per the PTO system instructions. A lower idle setting may be used for more delicate spotting of loads if required.

### CRANE OPERATION

Use "Winch Down" to release tension on the wire rope to unhook it from the storage tie down position.

Use "Boom Up" to elevate the boom from the boom rest position.

Avoid repeated rapid reversals of the control switches. This can cause the load to swing.

Check all control functions to see that they are working as described in the following section.



VENCO VENTURO INDUSTRIES LLC  
CINCINNATI, OHIO

TITLE

CRANE OP / MNTNC INST

HT40/50KX

DATE

02-21-14E

SUPERSEDES

06-18-12D

SECTION

C200

22345A



## CONTROL FUNCTIONS

WINCH "UP" and "DOWN" - Raises and lowers the load with the winch.

BOOM "UP" and "DOWN" - Raises and lowers the boom elevation angle. The boom elevates from 8 degrees below horizontal to 75 degrees above horizontal.

BOOM "OUT" and "IN" - Extends and retracts the boom. The boom hydraulic extension stroke is 6 ft. or 10 ft.

ROTATION "L" and "R" - Controls the left and right direction of the crane rotation. The crane rotation is limited to 400 degrees.

POWER - (Non Proportional Systems) Energizes safety shutoff valve. See page 22328 for detailed operations instructions and warnings.

TRIGGER (Proportional Systems Only) - Varies the flow rate delivered to the crane valve. The farther the trigger is pulled, the faster the selected crane function operates. See page 22168 for detailed operations instructions and warnings.

## OVERLOAD SENSING SYSTEM

This crane is equipped with an Overload Sensing System. If the capacity of the crane is exceeded, the "Winch Up", "Boom Down", and "Boom Out" functions will be shut down. The "Winch Down", "Boom Up", and "Boom In" functions will continue to operate and can be used to relieve the overload condition. The "Rotation" function also will continue to operate.

## TWO-BLOCK SENSING SYSTEM

This crane is equipped with an anti two-block device that is mounted at the tip of the boom. If the load block / overhaul weight contacts the device the "Winch Up", "Boom Down", and "Boom Out" functions are disabled. The "Winch Down", "Boom Up", and "Boom In" functions will continue to operate and can be used to relieve the two-block condition. Refer to Drawings 23024 or 27029 in this manual for replacement parts and configuration information, respectively.

## TELESCOPIC HEXAGONAL BOOM

### STANDARD LENGTH (10' - 20'); Double Stage

The hexagonal shaped boom shall telescope to provide a horizontal reach range of 10 ft. to 20 ft. using a hydraulic power extension cylinder with a 10 ft. stroke (See pages 24188 and 24189).

### OPTIONAL LENGTH (12' - 25'); Double stage only

The hexagonal shaped boom shall telescope to provide a horizontal reach range of 12 ft. to 25 ft. using a hydraulic power extension cylinder with a 13 ft. stroke (See pages 24190 and 24191).

## TRUCK SETUP & STABILIZERS

1. The truck should be parked on firm level ground.
2. The center of the crane should be positioned close enough to the job so that it can be operated at a reach that puts the load within the rated capacity of the crane.



VENCO VENTURO INDUSTRIES LLC  
CINCINNATI, OHIO

TITLE	DATE	SECTION
CRANE OP / MNTNC INST	12-16-20P	C200
HT40/50KX	SUPERSEDES 02-21-14N	<b>22345B</b>

**CRANE OPERATION AND MAINTENANCE INSTRUCTIONS, PAGE 3**  
**HT40/50KX**

3. Set the vehicle parking brake and put the vehicle transmission in "park" if it is an automatic.
4. Fully deploy stabilizers to help stabilize vehicle against rocking or overturning.
5. Use stabilizers to level vehicle only. Tires must maintain contact with ground.

**PREPARATION FOR TRAVEL**

1. Return the stabilizers to the stowed position. Install and secure all pins.
2. Stow the crane boom in the boom support.
3. Hook the winch line to a tie down point on the body or pedestal and apply tension.
4. Disengage the PTO pump and idle speed control.
5. Unplug the control pendant and store in a body compartment or the cab.

**MAINTENANCE**

The crane requires only periodic lubrication. As a standard procedure, this can be done at the time the vehicle is serviced.

The winch planetary gearbox lube should be maintained at the level plug.

To ensure optimal winch performance, the following lube schedule and lube specifications should be followed:

Initial Change - after 6 weeks or 10 hours of operation.

Periodic Change - on an annual basis or every 50 hours of operation.

Temp Range (°F)	Winch Gear Oil
120° to 10°	High quality SAE 90 gear lubricant oil
Severe Duty	Swepco #201 multi-purpose gear oil

Service grease fittings and rotation gear with molybdenum-disulfide graphite-filled lithium-based extreme pressure grease.

Grease fitting locations:

- Boom pivot at rear of boom
- Speed reducer (2 fittings)
- Elevation cylinder tail clevis
- Bottom of Swing Bearing (2 fittings)

Remove rear cover and check all hydraulic tube and hose fittings for tightness.

Check electrical connections for looseness and corrosion .



VENCO VENTURO INDUSTRIES LLC  
CINCINNATI, OHIO

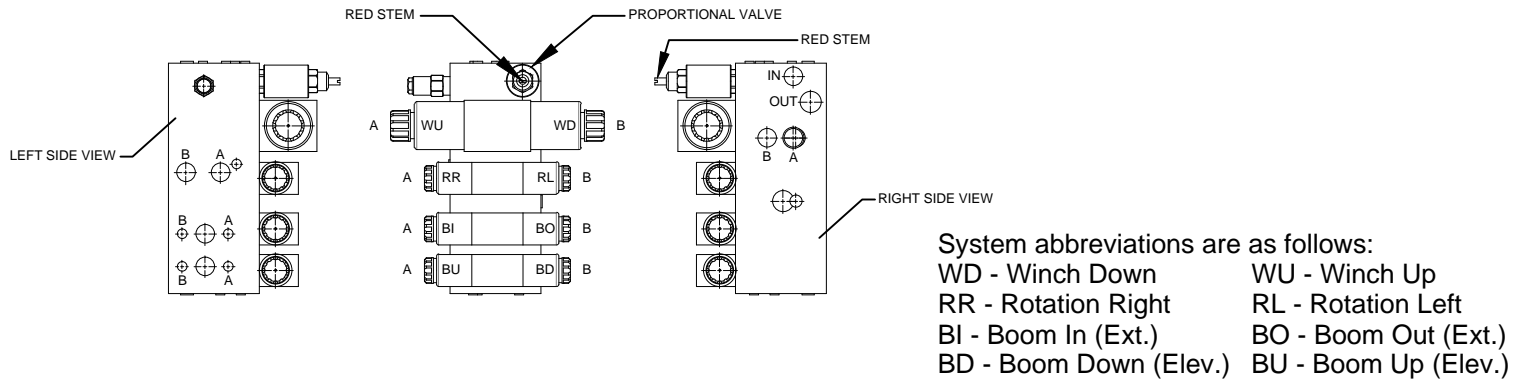
TITLE	DATE	SECTION
CRANE OP / MNTNC INST	02-21-14E	C200
HT40/50KX	SUPERSEDES 11-29-12D	22174

# EXPLANATION OF HYDRAULIC VALVE SYSTEM HT40/50/60/66KX, PROPORTIONAL ONLY

## OVERVIEW

This proportional crane utilizes a proportional valve, which controls the rate at which the hydraulic fluid flows through the valve bank. When the proportional valve is fully closed, hydraulic fluid bypasses the valve bank and returns directly to the tank. When the proportional valve is fully open, hydraulic fluid cycles through the valve bank and allows the crane to function at full speed. When the proportional valve is at any setting between, a portion of the fluid is allowed through the valve bank, with the remainder returning to the tank.

The four [4] crane functions (winch, rotation, boom extension, and boom elevation) are controlled by four [4] separate valve sections. Each valve section has two [2] solenoid coils (and two [2] manual overrides) which control the direction that the function operates (e.g. winch up vs. winch down). For a given crane function and direction (e.g. winch up), the solenoid coil and associated manual override reside on the same side of the valve bank.



## MANUAL OVERRIDE SYSTEM

Should an electrical failure occur, your Venturo crane can be operated manually.

The manual overrides are intended for emergency use only and should not be used for normal operation.

To operate in manual override mode:

- (1) Override the proportional valve by turning the red stem on the valve as stated below
  - For override operation, rotate stem clockwise (the farther the stem is turned the faster the crane will operate)
  - To return to normal operation, rotate the stem counter-clockwise until it stops
- (2) Determine the coil / override associated with the function you wish to operate, then insert a small diameter object (an Allen wrench works well) into the detent on the end of the valve stem and firmly press inward. For example, pushing the stem labeled 'A' on the first bank (refer to illustration) will actuate winch up



# W A R N I N G



- For normal crane operation, the proportional valve must be in the 'normal' position (as described above). To verify 'normal' operation, you may set the pendant (or radio) control aside and actuate a single crane function by pushing inward on any of the manual override pins, located at the ends of each function control valve. If that function operates, the proportional valve is still in manual override. Check the position of the proportional valve's red stem to insure that it is fully counter-clockwise.

## EMERGENCY STOP

In the unlikely event that a function of the crane does not stop once the function's toggle switch is released, the proportional crane can be stopped by releasing the trigger on activating the red E-STOP button on the transmitter.



VENCO VENTURO INDUSTRIES LLC  
CINCINNATI, OHIO

TITLE  
HYDRAULIC SYSTEM

DATE  
11-10-22E

SECTION  
C200

HT40/50/60/66KX; PROP

SUPERSEDES  
02-21-14D

22168

### WIRE ROPE ASSEMBLY

**WIRE ROPE:**

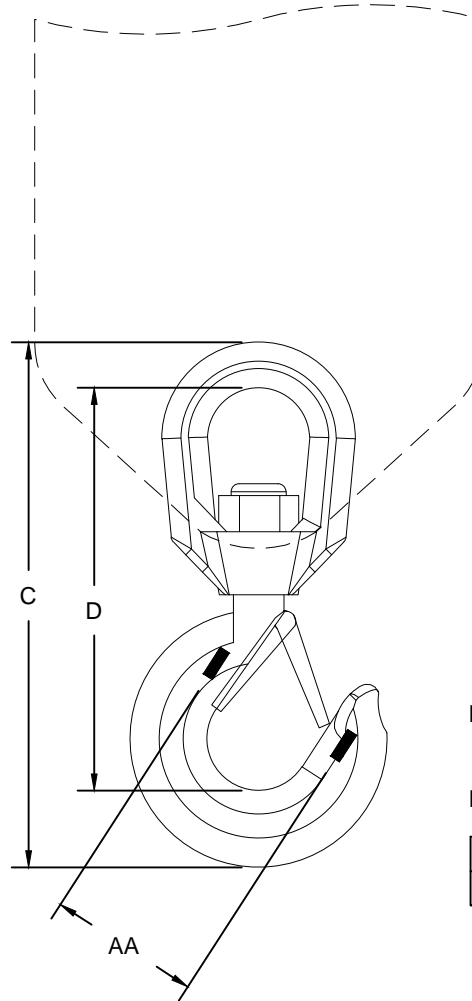
3/8" DIA, 100' LONG

▲ GAC 7X19 XIP-RHRL-IWRC, SB 14,400 LBS



TERMINATES IN THIMBLE  
NO HOOK

### LOAD BLOCK ASSEMBLY



**LOAD BLOCK HOOK:**

RATING: 5 TONNE (11,023 LBS)

**DIMENSIONS:**

COLOR	BRAND	AA	C	D
GOLD	CROSBY	2.50"	9.69"	7.50"



VENCO VENTURO INDUSTRIES LLC  
CINCINNATI, OHIO

TITLE

WIRE ROPE & HOOK SPECIFICATIONS

HT40/50KX

DATE

05-09-16D

SUPERSEDES

02-21-14C

SECTION

C300

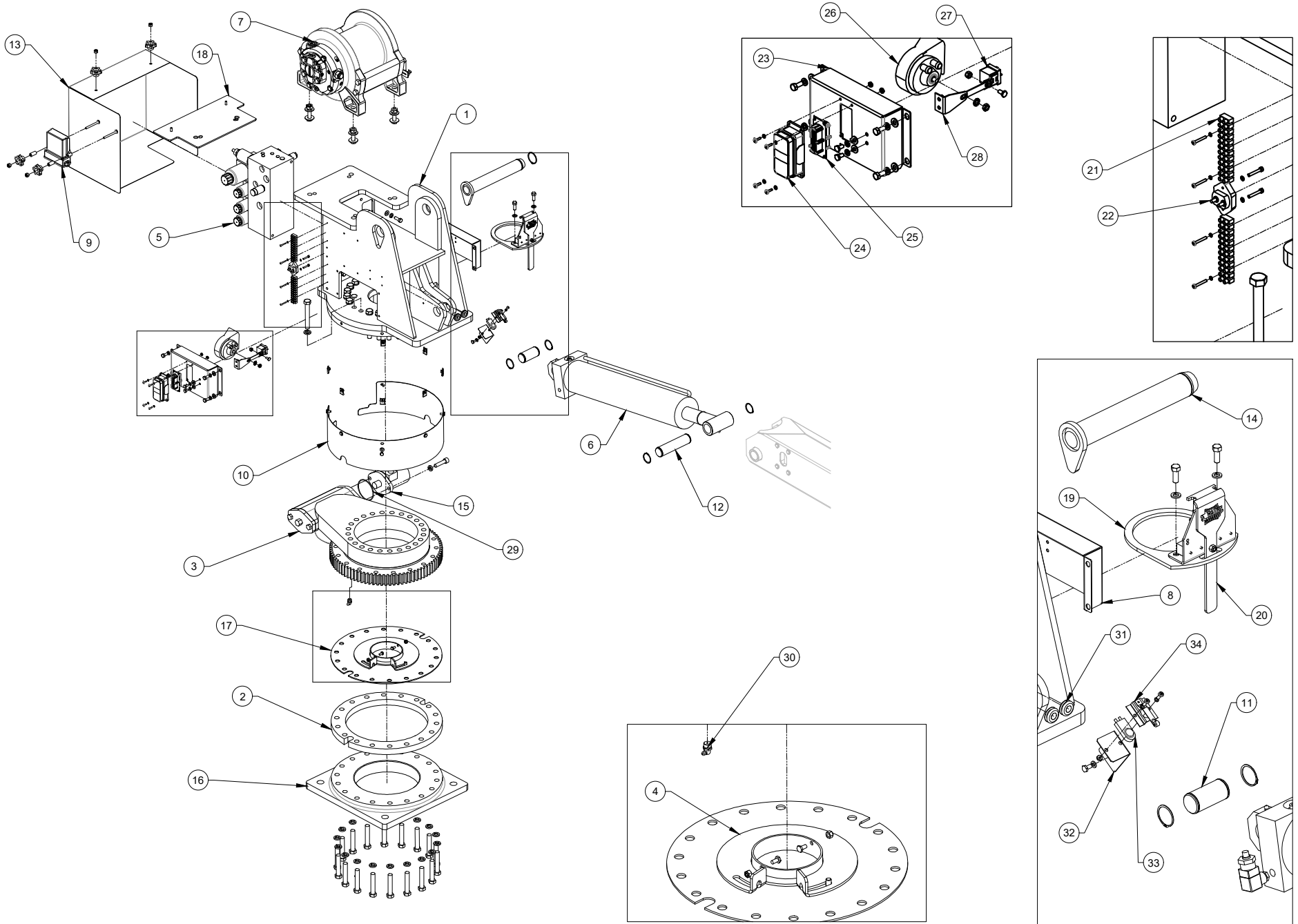
23231

# SECTION 400

# REPLACEMENT PARTS



VENCO VENTURO INDUSTRIES LLC  
CINCINNATI, OHIO



REFERENCE 26891 OR 26881 FOR REPLACEMENT PARTS LIST



VENCO VENTURO INDUSTRIES LLC  
CINCINNATI, OHIO

TITLE  
REPLACEMENT PARTS DRWNG - MECHANISM

DATE  
05-25-23

SECTION  
C400

HT40/50 SERIES

SUPERSEDES  
-

26890

# REPLACEMENT PARTS LIST - HT50 SERIES; MECHANISM

ITEM	QTY.		PART NUMBER	DESCRIPTION
	P	NP		
1	1	1	26600	WELDED ASSEMBLY; HOUSING, MECHANISM
2	1	1	23662	SPACER PLATE
3	1	1	22704	SLEWING RING
4	1	1	24920	STOP DISK
5	1	-	22736H	HYDRAULIC VALVE MANIFOLD, PROP
5	-	1	22501-0-225-225	HYDRAULIC VALVE MANIFOLD, NON PROP
6	1	1	21748	ELEVATION CYLINDER
7	1	-	22830	HYDRAULIC WINCH, PROP
7	-	1	22909	HYDRAULIC WINCH, NON PROP
8	1	1	22715-1	HOUSING SIDE COVER
9	1	1	21986-HT	RECEIVER; RADIO REMOTE
10	1	1	23644	SLEWING RING COVER
11	1	1	22256	ELEVATION CYLINDER PIN - INBOARD
12	1	1	22257	ELEVATION CYLINDER PIN - OUTBOARD
13	1	1	22842	REAR COVER
14	1	1	22721	PIVOT PIN - MAIN BOOM PIVOT
15	1	1	19177	HYDRAULIC ROTATION MOTOR
16	1	1	26606	MACHINED BASE
17	1	1	28473	SLIPPER PLATE WELD
18	1	1	28319	REAR COVER MOUNTING PLATE WELDEMENT
19	1	1	23680	HOUSING WATER DAM
20	1	1	28474	ELECTRIC ROTATION STOP ASSEMBLY

ITEM	QTY.		PART NUMBER	DESCRIPTION
	P	NP		
21	1	1	19187-12	TERMINAL STRIP; 12 SECTIONS
22	1	1	15683-20A	CIRCUIT BREAKER; 20A
23	1	1	22715-2	HOUSING SIDE COVER
24	1	1	22481	SOCKET CASE W/ HOOD; 16-PIN
25	1	1	22482	SOCKET; 16-PIN FEMALE INSERT
26	1	1	21948	HORN
27	1	1	22739	HIGH CAPACITY RELAY
28	1	1	22000	BRACKET; HORN
29	1	1	OR-152-5	O-RING; ROTATION MOTOR
30	1	1	IZERK-013-27 NPT-90	FITTING; GREASE, 90°
31	2	2	14775	GROMMET - RUBBER
32	1	1	20497	BRACKET; SWITCH
33	1	1	19918	SWITCH; BOOMTOP POSITION
34	1	1	19917	BRACKET; BOOM SHUT-OFF SWITCH
35		-		
36		-		
37		-		
38		-		
39		-		
40		-		
41		-		
42		-		

REFERENCE #26890 FOR REPLACEMENT PARTS DRAWING

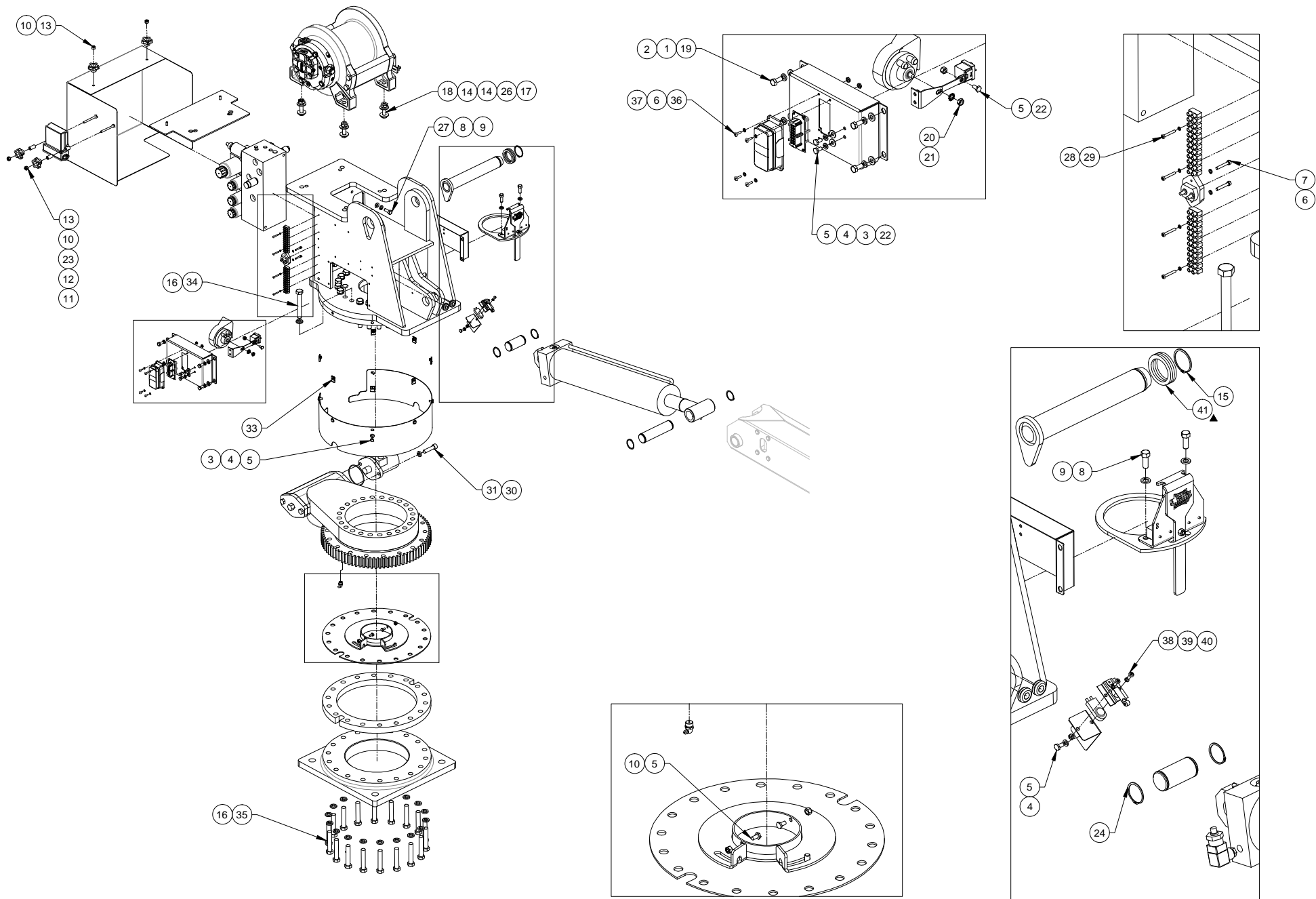


VENCO VENTURO INDUSTRIES LLC  
CINCINNATI, OHIO

TITLE  
REPLACEMENT PARTS LIST - MECHANISM  
HT50 SERIES

DATE  
05-25-23  
SUPERSEDES  
-

SECTION  
C400  
26881



REFERENCE 26906 FOR REPLACEMENT PARTS LIST



VENCO VENTURO INDUSTRIES LLC  
CINCINNATI, OHIO

TITLE  
RPLCMNT FASTENERS DRWNG - MECHANISM  
HT40/50 SERIES

DATE  
03-29-24A  
SUPERSEDES  
05-30-23

SECTION  
C400  
26905



# RPLCMNT FASTENERS LIST - HT40/50KX VLC SERIES; MECHANISM

ITEM	QTY.	PART NUMBER	DESCRIPTION
1	8	!LWSH-031S	LOCK WASHER; 5/16", S/S
2	8	!FWSH-031S	FLAT W ASHER; 5/16", S/S
3	13	!FWSH-025S	FLAT W ASHER; 1/4", S/S
4	12	!LWSH-025S	LOCK WASHER; 1/4", S/S
5	11	!HHCS02520050S	HHCS; 1/4-20 x 1/2" LG, S/S
6	6	!LWSH-#08S	LOCK WASHER; #8, S/S
7	2	!SHCS#0832100S	SHCS; #8-32 X 1", S/S
8	4	!LWSH-038	LOCK WASHER; 3/8", ZINC-PLTD
9	4	!HHCS03816100	HHCS; 3/8-16 X 1", ZINC-PLTD
10	4	28327	KNOB, HAND, 5-POINT
11	2	!HHCS02520275	HHCS, 1/4-20 X2.75", S/S, FULL THREAD
12	2	!JNUT-02520NS	JNUT, NYLON INSERT, 1/4-20, S/S
13	4	!LNUT-02520-H	LOCK NUT; 1/4-20, HVY PAT, NYLON
14	8	!FWSH-050	FLAT W ASHER; 1/2", GR. 8
15	1	!SRNG-175	SNAP RING; 1-3/4", ZINC-PLTD
16	40	!LWSH-063	LOCK WASHER; 5/8", GR. 5, ZINC
17	4	!HNUT-05013-8	HEX NUT; 1/2-13, GR. 8
18	2	!HHCS05013225-8	HHCS; 1/2-13 X 2-1/4" LG, GR 8
19	8	!HHCS03118075S	HHCS; 5/16-18 X 3/4", S/S
20	1	!LWSH-031-STAR	LOCK WASHER; 5/16", ZINC
21	1	!HNUT-03118	HEX NUT; 5/16-18, ZINC

ITEM	QTY.	PART NUMBER	DESCRIPTION
22	5	!LNUT-02520SS	NYLOCK HEX NUT 1/4-20
23	2	28328	NYLON SPACER, BLK - .25"IDX.50"ODX1"LG
24	4	!SRNG-150	SNAP RING; 1-1/2", ZINC-PLTD
25	2	!HHCS02520125S	HHCS; 1/4-20 X 1-1/4", S/S
26	4	!LWSH-050	LOCK WASHER; 1/2", GR. 8, ZINC
27	2	!FWSH-038	FLAT W ASHER; 3/8", ZINC-PLTD
28	4	!LWSH-#06S	LOCK WASHER; #06. S/S
29	4	!PHPMS#0632100S	PHILIPS-HD PMS; #6-32 X 1", S/S
30	2	!LWSH-050-HC	LOCK WASHER; 1/2", HI-COLLAR
31	2	!SHCS05013200	SOCKET HEAD CAP SCREW - 1/2-13 X 2 LG
32	4	!HHCS02520100S	HHCS; 1/4-20 X 1-1/4", S/S
33	5	!JNUT-02520-LKG	U-NUT 1/4-20, LOCKING TYPE
34	20	!HHCS06311450	HHCS; 5/8-11 x 4.5" LG, GR. 5, ZINC
35	20	!HHCS06311350	HHCS; 5/8-11 x 3.5" LG, GR. 8, ZINC
36	4	!SHPMS#0832050S	SLOT-HD PMS; #8-32 x 1/2", S/S
37	4	!HNUT-#0832S	HEX NUT; #08-32, S/S
38	2	!PHPMS#1024050S	PHILIPS-HD PMS; #10-24 x 1/2", S/S
39	2	!LWSH-#10S	LOCK WASHER; #10, S/S
40	2	!HNUT-#1024S	HEX NUT; #10-24, S/S
41	2	26609	SHIM - STAINLESS STEEL

HHCS = HEX HEAD CAP SCREW, SHCS = SOCKET HEAD CAP SCREW, PMS = PAN MACHINE SCREW, S/S = STAINLESS STEEL

REFERENCE 26905 FOR REPLACEMENT PARTS DRAWING



VENCO VENTURO INDUSTRIES LLC  
CINCINNATI, OHIO

TITLE

RPLCMNT FASTENERS LIST - MECHANISM

HT40/50 SERIES

DATE

03-29-24A

SUPERSEDES

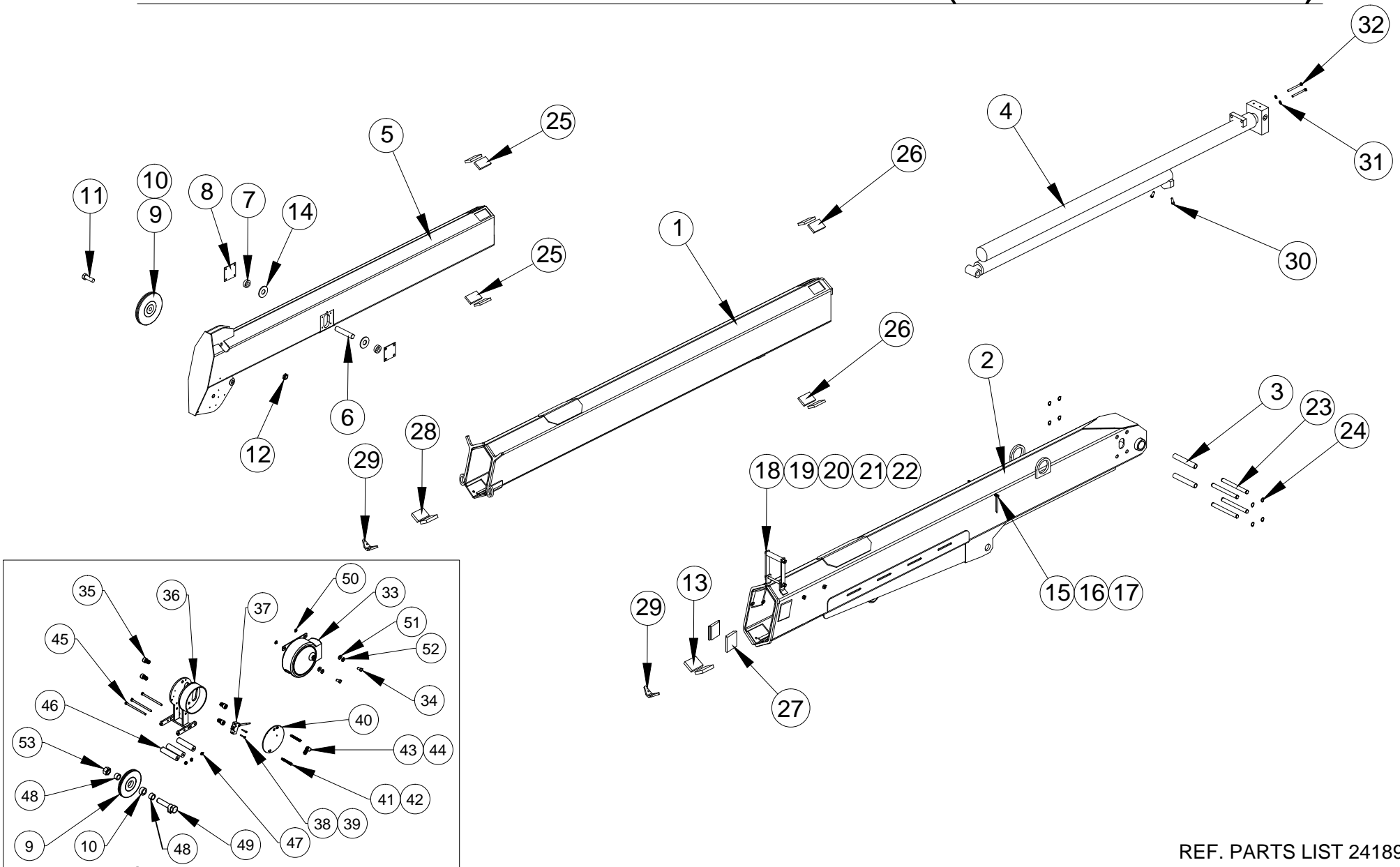
05-30-23

SECTION

C400

26906

# 21410 BOOM PARTS DRAWING (FULL POWER)



REF. PARTS LIST 24189



VENCO VENTURO INDUSTRIES LLC  
CINCINNATI, OHIO

TITLE  
21410 BOOM PARTS DRAWING  
HT40KX(P) - 20' BOOM

DATE  
06-07-23B  
SUPERSEDES  
02-09-21A

SECTION  
C400  
24188

# 21410 BOOM PARTS LIST

ITEM	QTY.	PART NUMBER	DESCRIPTION
1	1	27209	SECONDARY BOOM WELDED ASSEMBLY
2	1	27207	PRIMARY BOOM WELDED ASSEMBLY
3	2	24535	THRUST ROLLER
4	1	21744	EXTENSION CYLINDER
5	1	21416	TERTIARY BOOM ASSEMBLY
6	1	21405	PIN - CYLINDER
7	2	21428	BUSHING
8	2	23116	PIN BLOCK REINFORCING
9	2	23928	BOOM SHEAVE WITH BUSHING
10	2	23929	SPACER - 23927 & 23928 POLY SHEAVES
11	1	17059-6	SHEAVE AXLE (TOP SHEAVE)
12	1	!JNUT-07510N	NYLON LOCK-JAMNUT 3/4-10
13	2	23217-17	UHMW GUIDE PAD - B 3.19 x 2.50 x 0.50
14	2	!FWSH-100	FLAT WASHER - 1"
15	2	22490	SPACER, BOOM ARROW 1/2" O.D.
16	2	13459-2	BOOM ARROW 4-7/16 LONG
17	2	!ANUT-02520S	ACORN NUT 1/4-20 STAINLESS
18	1	21935	WIRE-ROPE GUIDE WELDED
19	1	21936	FLAT, MOUNT; WIRE ROPE GUIDE
20	1	!HHCS04414550	HHCS - 7/16-14 X 5-1/2 LG
21	1	21560	ROLLER, UHMW GUIDE
22	2	!LNUT-04414	NYLON INSERT LOCK NUT - 7/16-14
23	4	22255	EXTENSION CYLINDER THRUST PIN
24	8	!SRNG-075	RETAINING RING - 3/4" SHAFT DIA.
25	4	23217-1	UHMW GUIDE PAD
26	4	23217-2	UHMW GUIDE PAD
27	2	23217-13	UHMW GUIDE PAD

ITEM	QTY.	PART NUMBER	DESCRIPTION
28	2	23217-14	UHMW GUIDE PAD - B 3.19 x 2.13 x 0.50
29	2	23183	V-BLOCK SLIDER
30	2	!HHCS03816100	HEX HEAD CAP SCREW; 3/8-16 X 1" LG
31	2	!LWSH-050-HC	LOCK WASHER; 1/2" HI-COLLAR
32	2	!SHCS05013200	SOCKET HEAD CAP SCREW; 1/2-13 X 2" LG
33	1	28190-2	CORD REEL ASSEMBLY
-	1	28191	BRACKET, CORD REEL (RIGHT HAND MOUNTING)
34	2	!SHCS03118075S	SOCKET HEAD CAP SCREW; 5/16-18 X 3/4"
35	4	27467	SOCKET HEAD CAP SCREW; NYLON, 1/2-13 X 3/4"
36	1	27468	WELDMENT, COMPACT A2B FRAME (LEFT HAND)
37	1	19376	A2B SWITCH
38	2	!PHCS#0632100	PHCS; 6-32 X 1"
39	2	!LWSH-#06	LOCK WASHER; #06, GR. 5
40	1	27473	COVER PLATER; COMPACT A2B
41	2	!SHCS02520200SS	SOCKET HEAD CAP SCREW; 1/4-20 X 2", SS
42	2	23379	WASHER, NYLON, BLACK, .375" OD X .25" ID X .02"
43	1	19269	CABLE CLAMP, 1/4"
44	1	!PHCS#1032038-M	PHCS; 10-32 X 3/8", GR. 5
45	3	!HHCS02520450	HHCS; 1/4-20 X 4-1/2" LG
46	3	27475	WIRE ROPE GUIDE ROLLER
47	3	!JNUT-02520N	JAM NUT; 1/4-20 W/ NYLON INSERT
48	2	27476-1	SPACER/PIVOT; COMPACT A2B
49	1	28362	ASSY, WELDED, CAM & HHCS CA2B CUT-OUT
50	2	28198	INSULATING SLEEVE WASHER - 5/16"
51	2	01016	FIBER WASHER
52	2	!FWSH-031	FLAT WASHER; 5/16" SAE
53	1	!LNUT-07510	NYLOC LOCK NUT, FULL, 3/4-10, GR. 5, ZINC

REF PARTS DRAWING 24188



MANUFACTURING, INC.  
CINCINNATI, OHIO

TITLE

REPLACEMENT PARTS LIST

HT40KX(P) - 20' BOOM

DATE

04-24-24E

SUPERSEDES

03-26-24D

SECTION

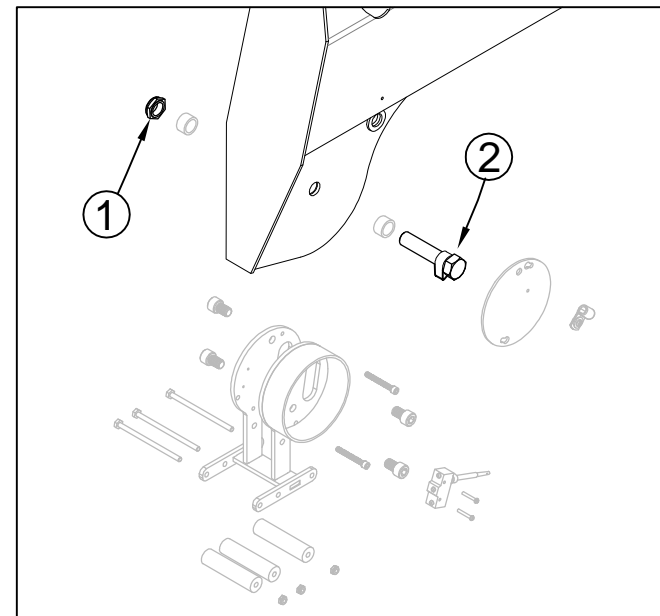
C400

24189

# Compact A2B with Stowage Cut-out, Install/Adjustment Instructions (Kit: 28375)

The purpose of the Stowage Cut-out system is to prevent a situation whereby the wire rope is over-tensioned when the load block / wire rope is attached to the stowage hook on the bottom of the primary boom assembly. **However, the OPERATOR is ultimately responsible for ensuring that the wire rope is not over-tensioned when stowing the wire rope and boom assembly into the boom rest.**

1. Initially, apply a light torque to the nyloc full nut Item #1 (P/N !LNUT-07510), such that the axle bolt & cam welded assembly can be rotated / adjusted in the steps below.
2. Position the cam **lobe** Item #2 (P/N 28362) so that it is pointing towards the housing / mechanism
3. Hang the load block on the open stowage hook under the primary boom.
4. Thread the wire rope through the load block in a two-line configuration; the wire rope end / eyelet is pinned in the standard position on the tertiary boom tip
5. Actuate the Winch Up function until the load block and wire rope are **taut** enough to prevent the load block from bouncing during transit, **but do not tighten excessively so as to prevent damage to the wire rope.**
6. Rotate the axle bolt & cam welded assembly towards the housing (clockwise in standard configuration) until the cam lobe makes contact with and trips the wobble micro switch and actuates the A2B function.
7. Once adjusted, torque the nyloc full nut (Item #1) to 100 ft\*lbs to prevent further rotational movement of the axle bolt & cam welded assembly.
8. Test the A2B trip-point by slackening and tightening the wire rope / load block assembly by actuating Winch Up/Down. **NOTE: The point at which the A2B trips WILL vary to some degree, depending upon the winch up speed. It is recommended to actuate the winch up function slowly, which will yield a consistent and repeatable result, in terms of wire rope tension when stowed.**



Contact Venturo Tech Support for assistance. 1-800-226-2238 ext. 124



VENCO VENTURO INDUSTRIES LLC  
CINCINNATI, OHIO

TITLE  
A2B Stowage Cut-out

ET/HT Cranes w/ Comp. A2B

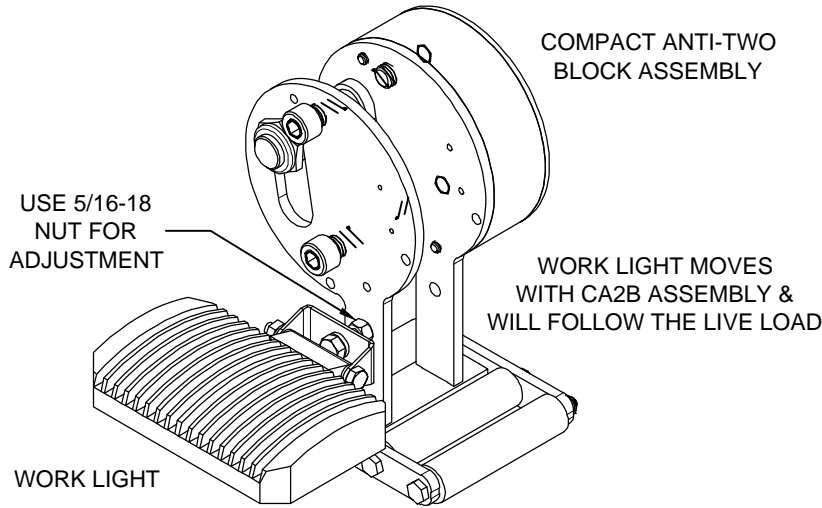
DATE  
10-04-21B

SUPERSEDES  
08-03-21A

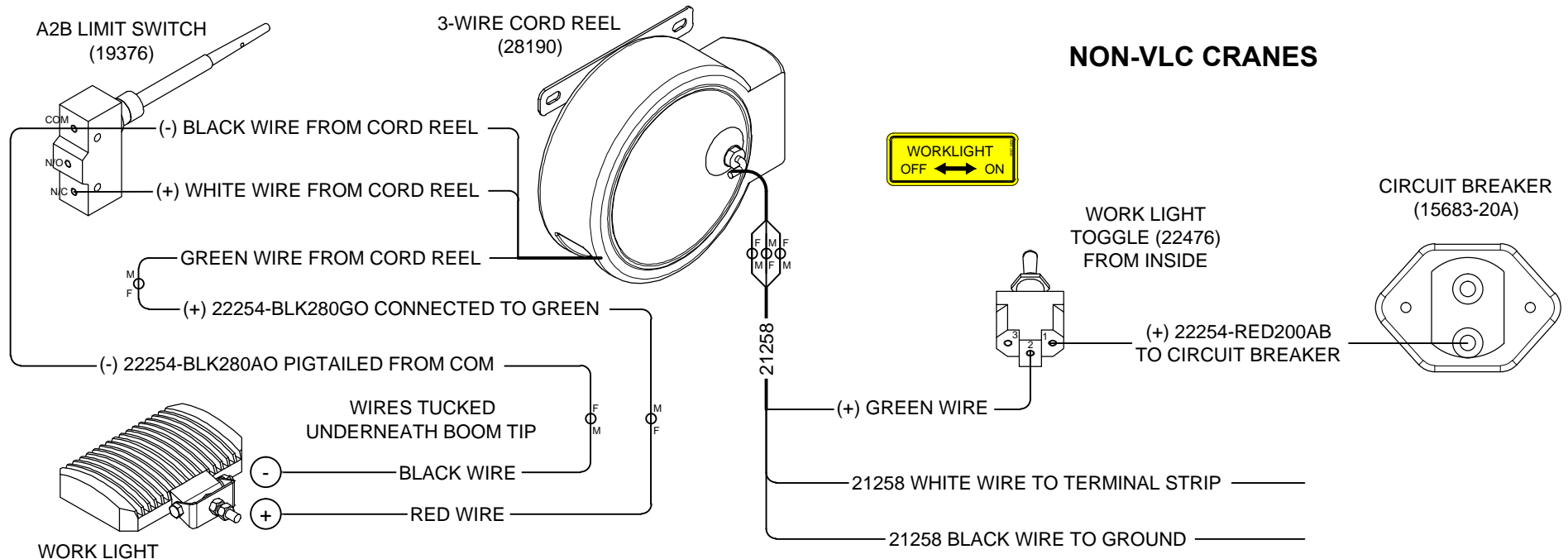
SECTION  
C400

28239

# WORK LIGHT INSTALLATION: 28240-1 (3-WIRE CORD REEL ON NON-VLC CRANES)



BILL OF MATERIALS		-1	28240
#	DESCRIPTION		PART NUMBER
1	IDWG; WORK LIGHT INSTALLATION, NON-VLC CRANES	1	28199
2	LED WORK LIGHT	1	27483
3	TERMINAL; 16G, FEMALE, QUICK-CONNECT	3	ITERM16G250QCFI
4	TERMINAL; 16G, MALE, QUICK-CONNECT	4	ITERM16G250QCM
5	WIRE ASS'Y; 16G, BLACK, 28", #6 RING - STRIPPED END	1	22254-BLK280AO
6	WIRE ASS'Y; 16G, BLACK, 28", QCF - STRIPPED END	1	22254-BLK280GO
7	TOGGLE SWITCH; ON / OFF, IP-RATED	1	22476
8	HALF-BOOT, FOR IP-RATED TOGGLE SWITCH	1	19793
9	DECAL; ON/OFF, OPTIONAL WORK LIGHT W/ TOGGLE	1	28307
10	WIRE ASS'Y; 16G, RED, 20", #6 RING - #10 RING	1	22254-RED200AB
11	TERMINAL; 16G, #6 RING, CLOSED-END	1	ITERM16G#6RG



VENCO VENTURO INDUSTRIES LLC  
CINCINNATI, OHIO

TITLE  
**WORK LIGHT INSTALLATION, 3-WIRE CORD REEL**  
**NON-VLC CRANES**

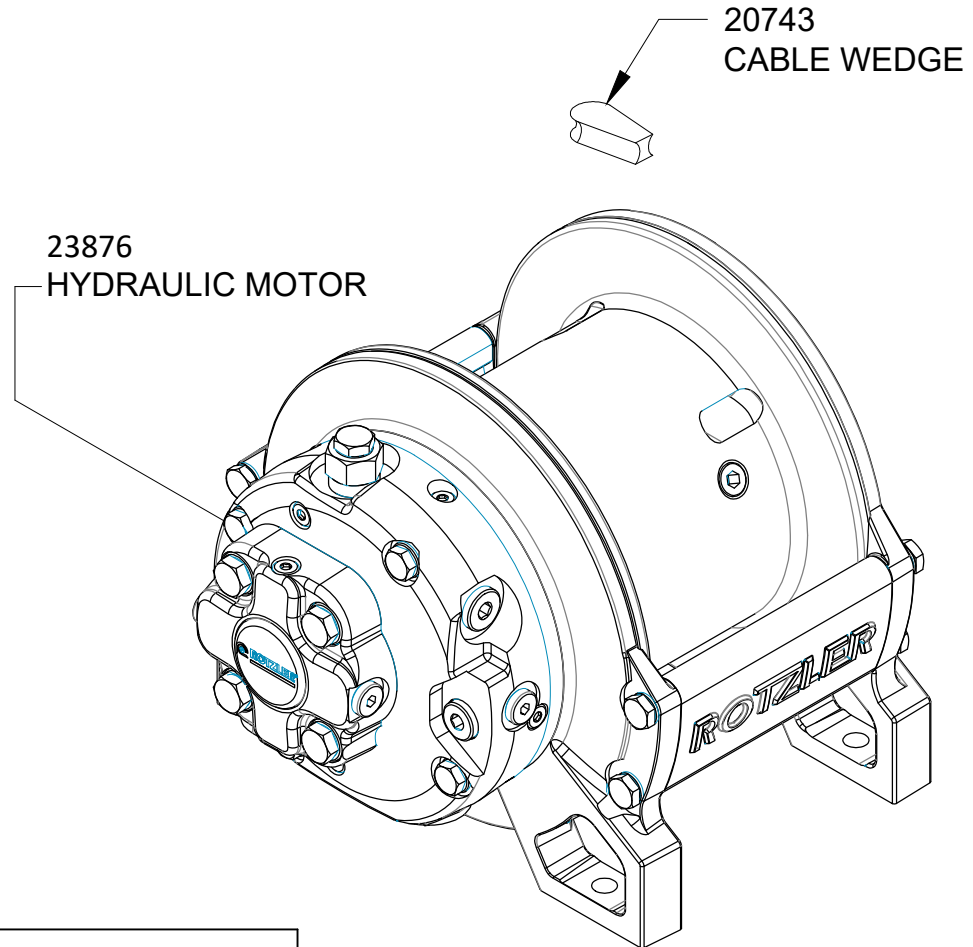
DATE  
**02-10-21**

SUPERSEDES  
-

SECTION  
**C400**

**28199**

# T11 & T12 WINCH REPLACEMENT PARTS DRAWING



20743  
CABLE WEDGE

23876  
HYDRAULIC MOTOR

WINCH SEALS PACKAGE	
T11	T12
23874	23848



VENCO VENTURO INDUSTRIES LLC  
CINCINNATI, OHIO

TITLE  
T11 & T12 REPLACEMENT PARTS DRAWING

HT40/45/50KX

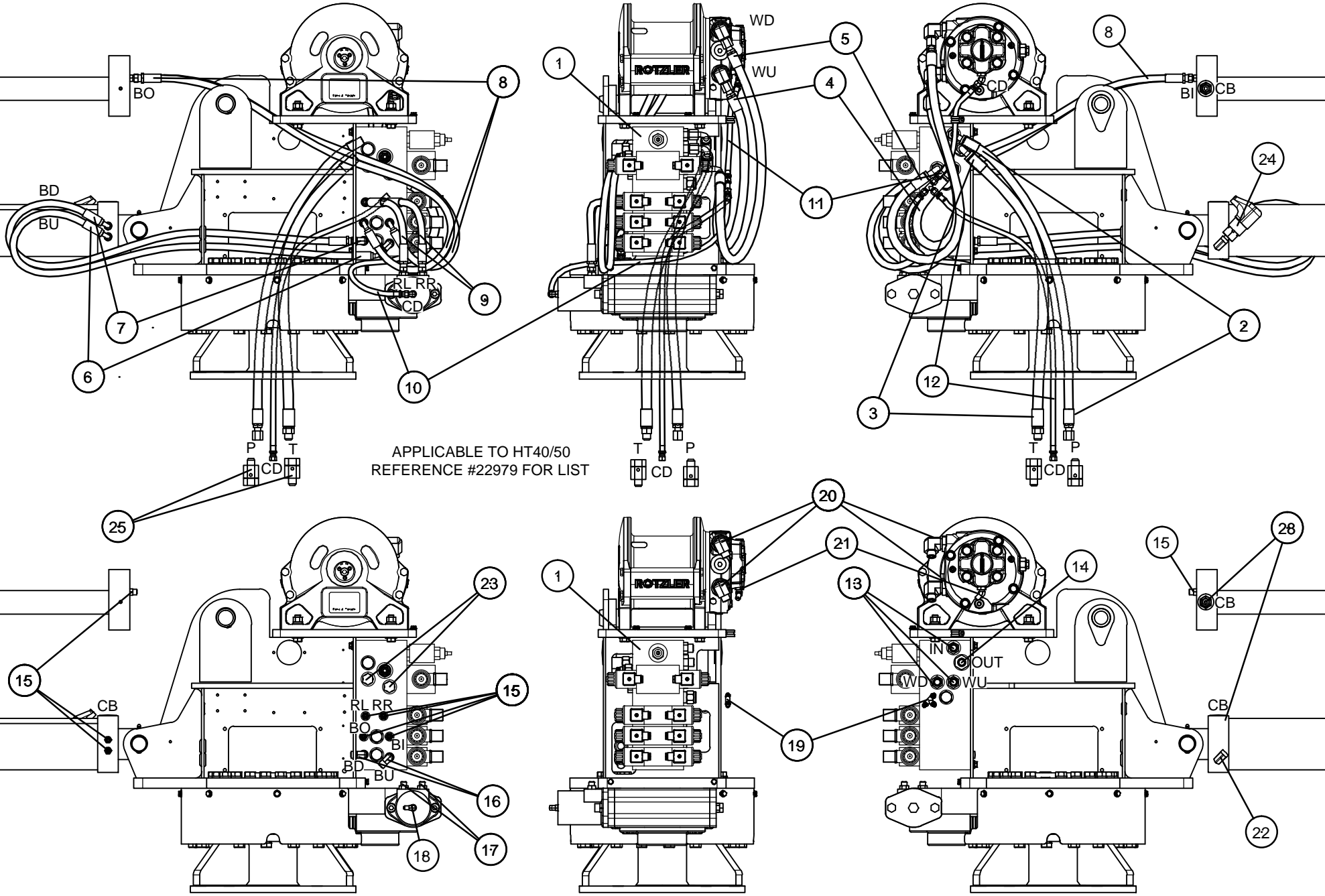
DATE  
05-30-23

SUPERSEDES  
-

SECTION  
C400

26896

# REPLACEMENT PARTS DRAWING, HYDRAULIC COMPONENTS



VENCO VENTURO INDUSTRIES LLC  
CINCINNATI, OHIO

TITLE  
REPLACEMENT PARTS, HYD. COMPONENTS  
HT40/50 PROPORTIONAL SERIES CRANES

DATE  
04-27-21F  
SUPERSEDES  
10-22-20E

SECTION  
C400  
22978

# REPLACEMENT PARTS LIST; HYDRAULIC COMPONENTS

#	DESCRIPTION	QTY	PART NUMBER	APPLICATION
1	VALVE MANIFOLD; PROPORTIONAL, HT40-55KX	1	22736H	REAR OF MECHANISM, INSIDE REAR COVER
2	HOSE ASSEMBLY; PRESSURE SUPPLY	1	23798	RIGHT SIDE VALVE BANK TO COMPARTMENT SIDE
3	HOSE ASSEMBLY; RETURN SUPPLY	1	23799	RIGHT SIDE VALVE BANK TO COMPARTMENT SIDE
4	HOSE ASSEMBLY; WINCH UP	1	27024	RIGHT SIDE VALVE BANK TO WINCH UP PORT
5	HOSE ASSEMBLY; WINCH DOWN	1	27025	RIGHT SIDE VALVE BANK TO WINCH DOWN PORT
6	HOSE ASSEMBLY; BOOM UP	1	27026	LEFT SIDE VALVE BANK TO BOOM UP PORT
7	HOSE ASSEMBLY; BOOM DOWN	1	27027	LEFT SIDE VALVE BANK TO BOOM DOWN PORT
8	HOSE ASSEMBLY; BOOM IN & OUT	2	27592	EXTENSION PORTS TO LEFT SIDE VALVE BANK
9	HOSE ASSEMBLY; ROTATION LEFT & RIGHT	2	27598	LEFT SIDE VALVE BANK TO ROTATION PORTS
10	HOSE ASSEMBLY; WINCH CASE DRAIN	1	22952	ROTATION CASE DRAIN TO T-FITTING JUNCTION
11	HOSE ASSEMBLY; ROTATION CASE DRAIN	1	22953	WINCH CASE DRAIN TO T-FITTING JUNCTION
12	HOSE ASSEMBLY; CASE DRAIN OUT	1	22903	T-FITTING JUNCTION TO COMPARTMENT SIDE
13	FITTING; ADAPTER, STRAIGHT, 8OFS-10MO	3	FF6400-0810	RIGHT SIDE VALVE BANK; IN, WU & WD PORTS
14	FITTING; ADAPTER, STRAIGHT, 8OFS-12MO	1	FF6400-0812	RIGHT SIDE VALVE BANK, OUT PORT
15	FITTING; ADAPTER, STRAIGHT, 6OFS-6MO	8	FF6400-0606	ELEVATION, EXTENSION, RL, RR, BI & BO PORTS
16	FITTING; ADAPTER, 90° ELBOW, 6OFS-6MO	2	FF6801-0606	LEFT SIDE VALVE BANK, BU & BD PORTS
17	FITTING; ADAPTER, STRAIGHT, 6OFS-10MO	2	FF6400-0610	ROTATION RIGHT & LEFT PORTS
18	FITTING; ADAPTER, 90° ELBOW, 4MJ-4MO	1	H6801-0404	ROTATION CASE DRAIN PORT
19	FITTING; ADAPTER, T-SHAPE, 4MJ-4MJ-4MJ	1	H2603-040404	T-FITTING JUNCTION FOR CASE DRAIN HOSES
20	FITTING; ADAPTER, 90° ELBOW, 8OFS-12MO BRITISH	2	FF3801-8-12	WINCH UP & DOWN PORTS, ROTZLER TI SERIES
21	FITTING; ADAPTER, 45° ELBOW, 4MJ-4MO BRITISH	1	3802-0404	WINCH CASE DRAIN PORT, ROTZLER TI SERIES
22	FITTING; ADAPTER, 90° ELBOW, 4MO-4FO	1	H6805-0404	ELEVATION BASE-END, PRESSURE SWITCH
23	FITTING; PLUG, 10MO	2	H6408-10	LEFT SIDE VALVE BANK, WU & WD PORTS
24	PRESSURE SWITCH, 2900 PSI RATING	1	17460-2900-21	BASE-END ON ELEVATION CYLINDER
25	LIVE SWIVEL; CONTINUOUS, STRAIGHT, 6MJ-6FJ	2	22764	PRESSURE & RETURN HOSES, COMPARTMENT SIDE
26	COUNTER-BALANCE VALVE; CBPA, 50/40, 3000 PSI SYS.	2	20893	ELEVATION & EXTENSION CYLINDER VALVE

## HYDRAULIC FUNCTION KEY

P	PRESSURE SUPPLY	RL	ROTATION LEFT
T	TANK RETURN	RR	ROTATION RIGHT
CD	CASE DRAIN	BO	BOOM OUT
IN	PRESSURE IN	BI	BOOM IN
OUT	RETURN OUT	BU	BOOM UP
WU	WINCH UP	BD	BOOM DOWN
WD	WINCH DOWN	CB	COUNTER-BALANCE VALVE

REFERENCE #22978 FOR REPLACEMENT PARTS DRAWING



VENCO VENTURO INDUSTRIES LLC  
CINCINNATI, OHIO

TITLE

REPLACEMENT PARTS LIST

DATE

04-27-21E

SECTION

C400

HT40/50 PROPORTIONAL

SUPERSEDES

10-22-20D

22979



# 22736 SERIES VALVE MANIFOLD REPLACEMENT PARTS

22963  
CHECK VALVE  
(NOT SHOWN -  
LOCATED ON BACK SIDE)

22595  
MAIN RELIEF VALVE

22967 (HT40/50, 22736H)  
22595 (HT66, 22736H-1)  
22595-2600 (HT60, 22736H-2)  
WINCH RELIEF VALVE

22312-2.25  
PRIORITY FLOW VALVE  
(BOOM EXTENSION)

22312-4.00  
PRIORITY FLOW VALVE  
(BOOM ELEVATION)

PRIORITY FLOW VALVE		
VALVE P/N	MANIFOLD	CRANE
22312-6.00	22736H	HT40/50KX
22312-7.50	22736H-1	HT66KX
22312-7.50	22736H-2	HT60KX
NOT SHOWN - LOCATED ON RIGHT SIDE		

PROPORTIONAL VALVE		
VALVE P/N & DESCRIPTION	MANIFOLD	CRANE MODEL
23046 HYDRAFORCE (ROUND COIL)	22736H	HT40KX
		HT50KX
	22736H-1	HT/66KX
	22736H-2	HT60KX

22873  
VALVE SECTION ASSY

22523  
VALVE SECTION ASSY



VENCO VENTURO INDUSTRIES LLC  
CINCINNATI, OHIO

TITLE  
22736 REPLACEMENT PARTS

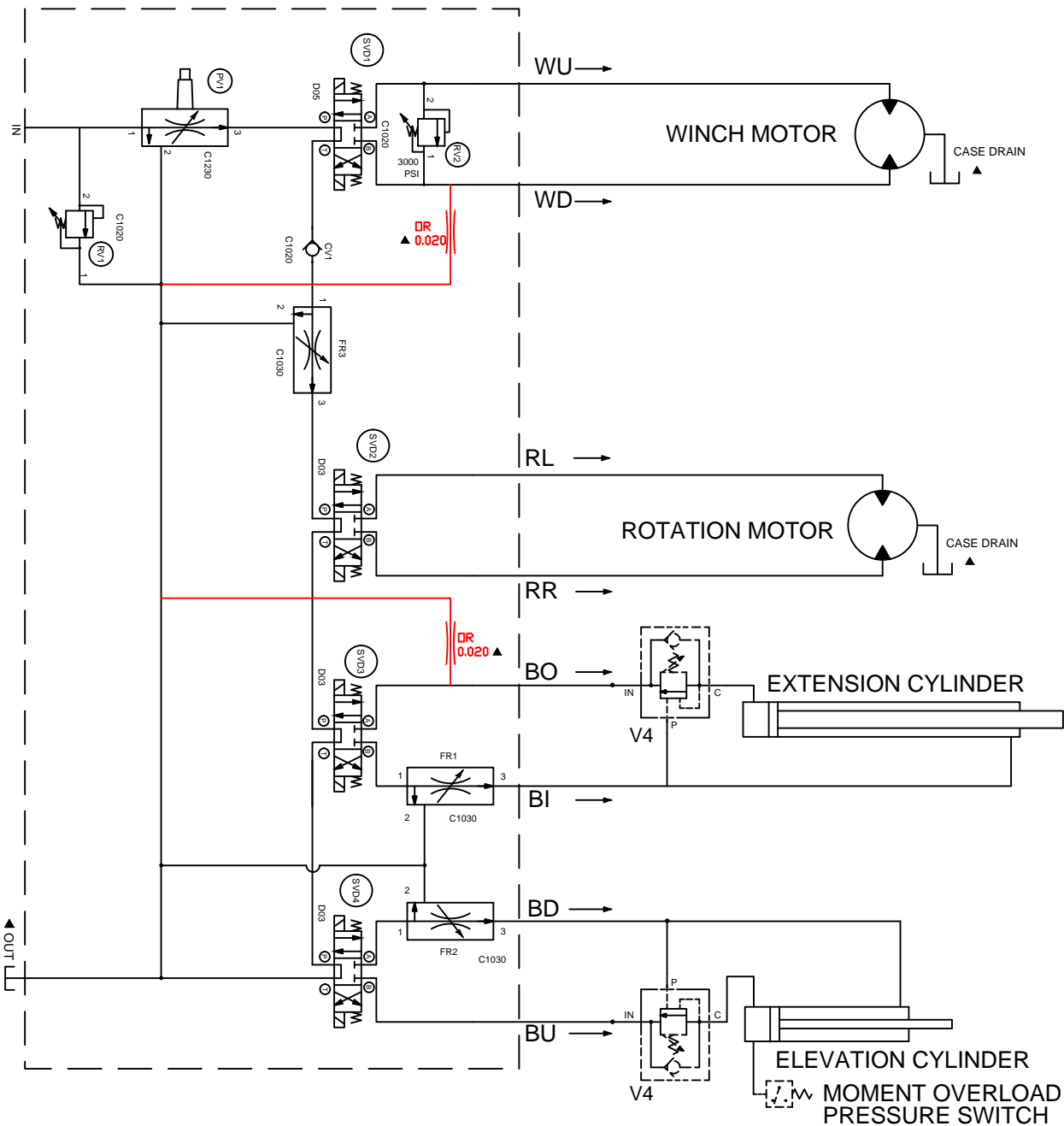
HT40/50/60/66KX PROPORTIONAL

DATE  
11-10-22G

SUPERSEDES  
11-13-17F

SECTION  
C400

22940



- PVI PROPORTIONAL CONTROL VALVE (SIMPLIFIED REP)
- RV1 INLET RELIEF VALVE (3000 PSI)
- RV2 WINCH RELIEF VALVE
- FR1 PRIORITY FLOW REGULATOR - 2.25 GPM
- FR2 PRIORITY FLOW REGULATOR - 4.00 GPM
- FR3 PRIORITY FLOW REGULATOR - 6.00 GPM
- SVD1 3 POSITION - 4 WAY VALVE
- SVD2 3 POSITION - 4 WAY VALVE
- SVD3 3 POSITION - 4 WAY VALVE
- SVD4 3 POSITION - 4 WAY VALVE



VENCO VENTURO INDUSTRIES LLC  
CINCINNATI, OHIO

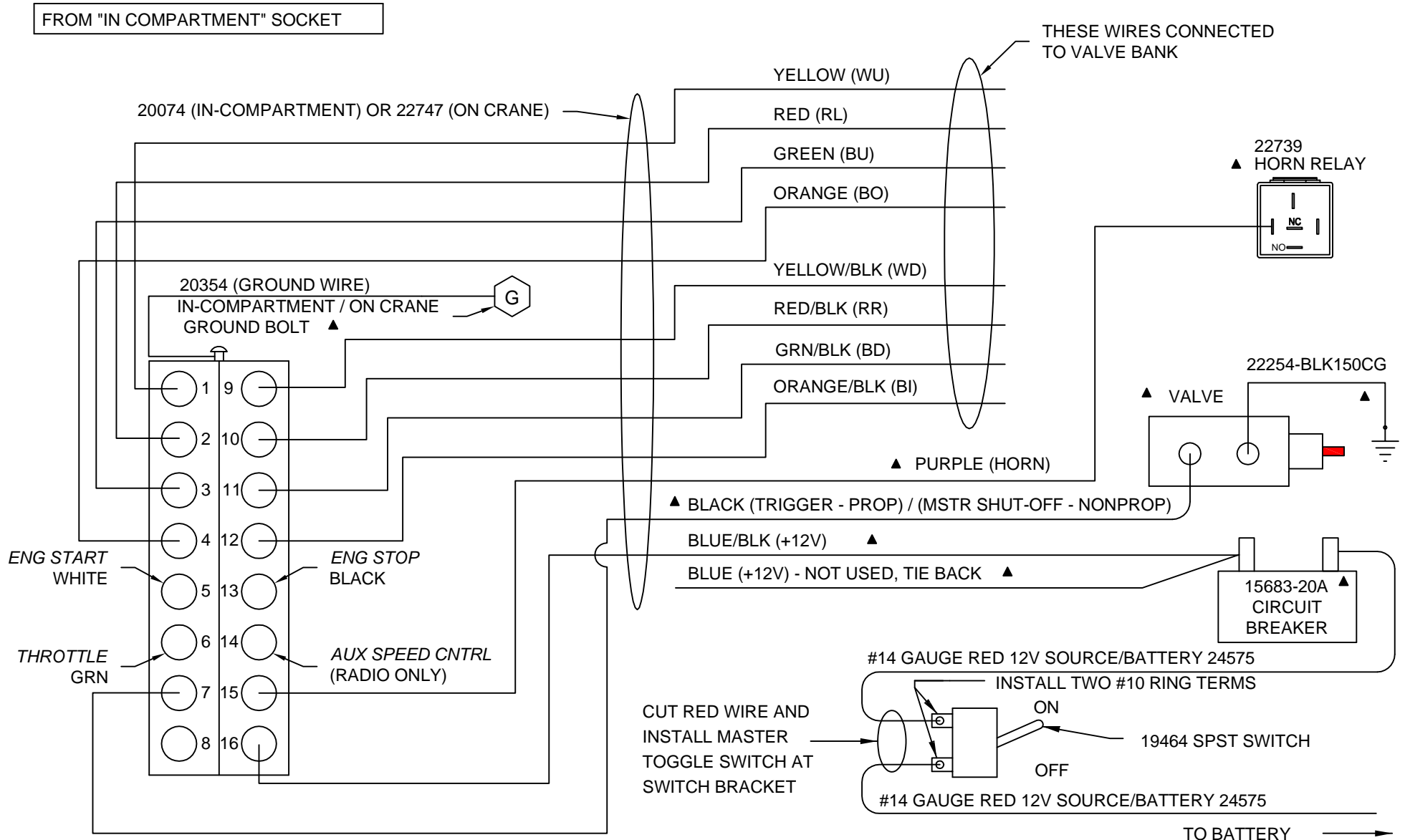
TITLE  
**HYDRAULIC SYSTEM DIAGRAM**  
  
HT40/50/66KX; PROPORTIONAL

DATE  
12-04-23D  
  
SUPERSEDES  
12-11-20C

SECTION  
C400  
  
**27352**



# ▲ SOCKET WIRING; 16-PIN, W/ OPTIONAL ENG CONTROLS



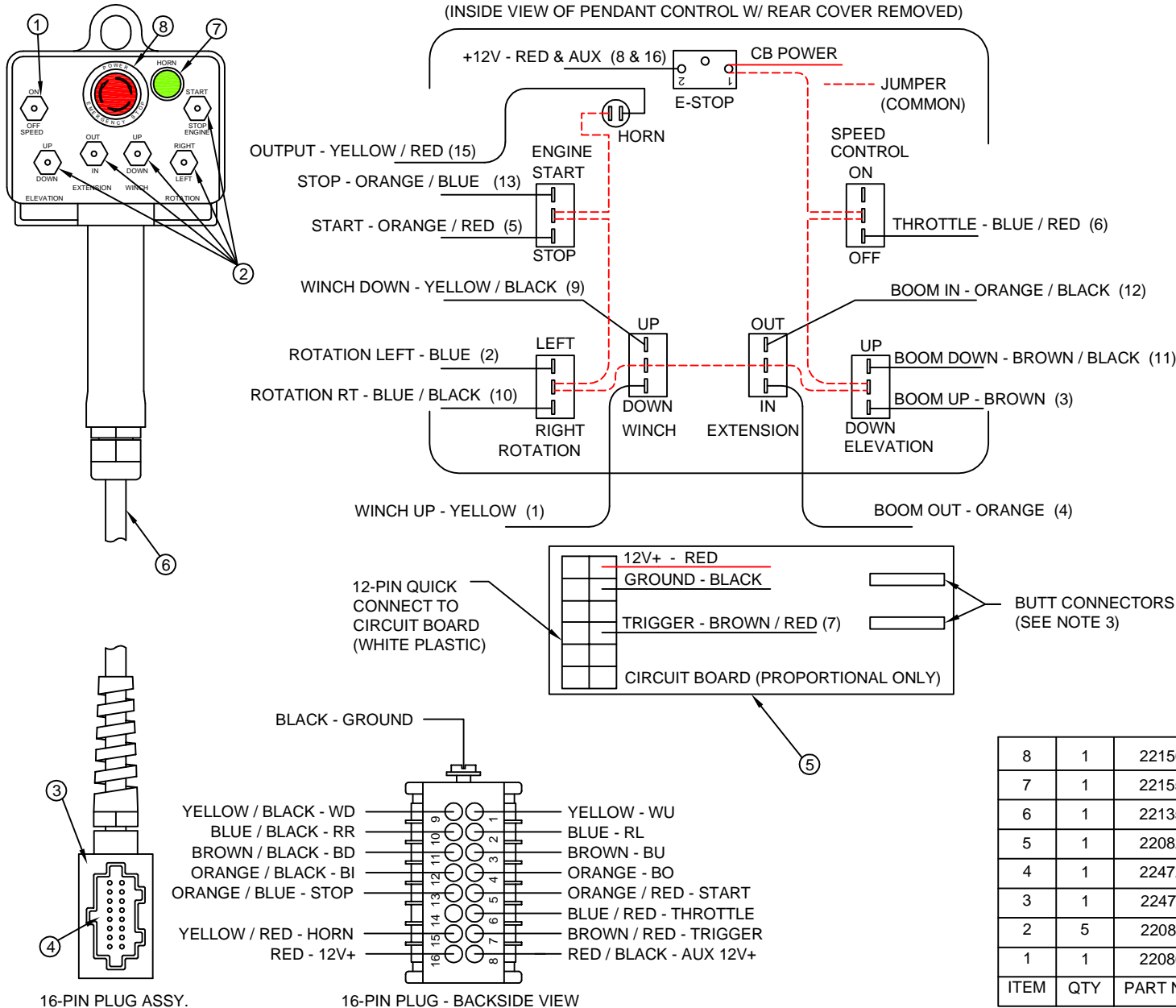
▲ ENGINE CONTROLS (#22616) SOLD AS AN OPTION (NOT INCLUDED WITH CRANE)



VENCO VENTURO INDUSTRIES LLC  
CINCINNATI, OHIO

TITLE	DATE	SECTION
SOCKET WIRING; 16 PIN	02-17-15G	C400
HT CRANES	SUPERSEDES 02-21-14F	22125

# 21987 PENDANT; PROP, ENG CNTRL, E-STOP / HORN



**NOTE 1:**  
WIRE TERMINALS TO BE INSTALLED 'AFTER' ROUTING REPLACEMENT CORD ASSY THROUGH PENDANT HEAD AND PLUG HOUSING.

**NOTE 2:**  
STOW OR CUT BACK UNUSED WIRES.

**NOTE 3:**  
WHEN REPLACING CORD ASSY, CUT BLACK AND BLACK / RED WIRES FROM 12-PIN QUICK CONNECT AND INSTALL 'BUTT CONNECTORS'; MATCH UP BLACK TO BLACK WIRES AND BLACK / RED TO BLACK / RED WIRES FROM REPLACEMENT CORD ASSY.

MODEL	STARTING S/N
HT25K(X)	120300
HT30K(X)	115300
HT40KX(X)	100900
HT50KX(X)	110600
HT66KXX	150300

ITEM	QTY	PART NO.	DESCRIPTION
8	1	22156	SWITCH; E-STOP
7	1	22155	SWITCH; PUSHBUTTON, HORN
6	1	22135	KIT; REPLACEMENT CORD ASSY
5	1	22082	CIRCUIT BOARD; PROP VALVE CONTROLLER
4	1	22472	INSERT; MALE, 16 + 1 POLE
3	1	22471	PLUG CASE; 16 + 1 POLE
2	5	22081	SWITCH; SPDT, MOMENTARY
1	1	22080	SWITCH; SPST



VENCO VENTURO INDUSTRIES LLC  
CINCINNATI, OHIO

TITLE  
**REPLACEMENT PARTS DWG & LIST**

21987 PENDANT; PROP, ENG CNTRL, ESTP/HRN

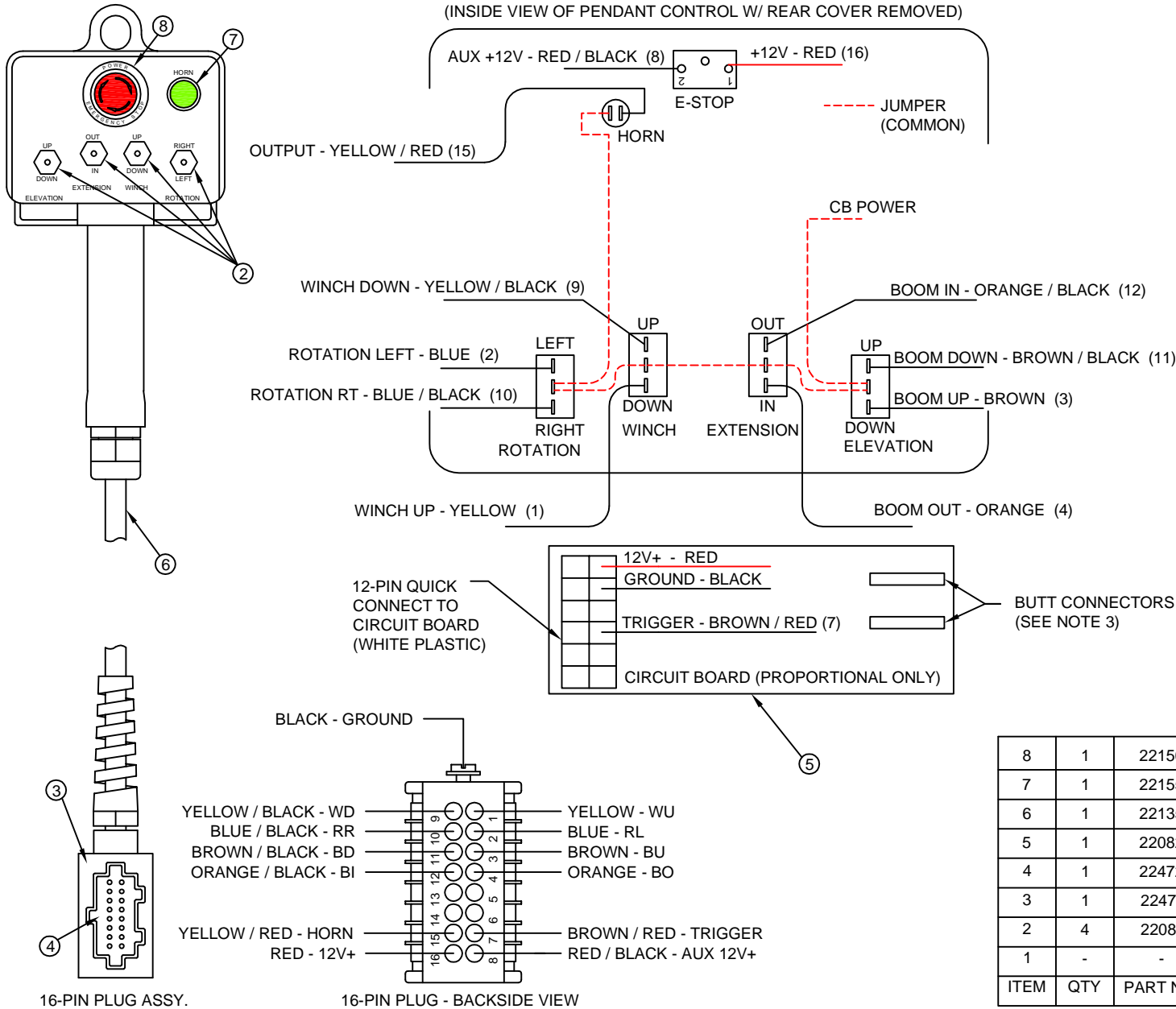
DATE  
10-03-14

SECTION  
C400

SUPERSEDES  
-

**23072**

# 21988 PENDANT; PROP, NO ENG CNTRL, E-STOP / HORN



NOTE 1:  
WIRE TERMINALS TO BE INSTALLED 'AFTER'  
ROUTING REPLACEMENT CORD ASSY  
THROUGH PENDANT HEAD AND PLUG  
HOUSING.

NOTE 2:  
STOW OR CUT BACK UNUSED WIRES.

NOTE 3:  
WHEN REPLACING CORD ASSY, CUT BLACK  
AND BLACK / RED WIRES FROM 12-PIN QUICK  
CONNECT AND INSTALL 'BUTT CONNECTORS';  
MATCH UP BLACK TO BLACK WIRES AND  
BLACK / RED TO BLACK / RED WIRES FROM  
REPLACEMENT CORD ASSY.

MODEL	STARTING S/N
HT25K(X)	120300
HT30K(X)	115300
HT40KX(X)	100900
HT50KX(X)	110600
HT66KXX	150300

ITEM	QTY	PART NO.	DESCRIPTION
8	1	22156	SWITCH; E-STOP
7	1	22155	SWITCH; PUSHBUTTON, HORN
6	1	22135	KIT; REPLACEMENT CORD ASSY
5	1	22082	CIRCUIT BOARD; PROP VALVE CONTROLLER
4	1	22472	INSERT; MALE, 16 + 1 POLE
3	1	22471	PLUG CASE; 16 + 1 POLE
2	4	22081	SWITCH; SPDT, MOMENTARY
1	-	-	-



VENCO VENTURO INDUSTRIES LLC  
CINCINNATI, OHIO

TITLE  
**REPLACEMENT PARTS DWG & LIST**

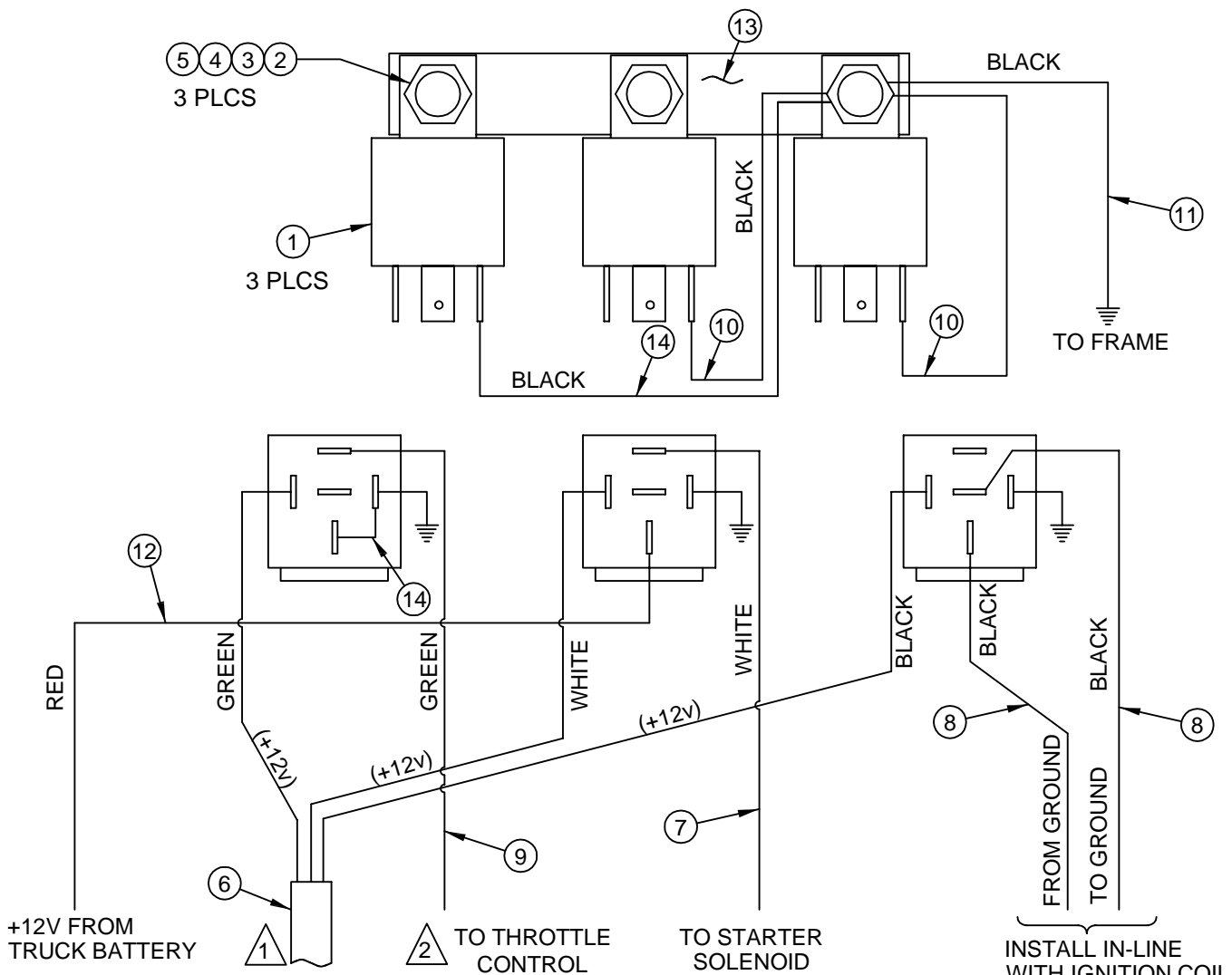
DATE  
10-03-14

SECTION  
C400

21988 PNDNT; PROP, NO ENG CNT, ESTP/HRN

SUPERSEDES

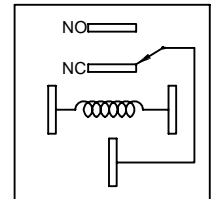
**23073**



1 USER-CONTROLLED +12V INPUT SIGNALS FROM HETRONIC VLC SYSTEM OR ANALOG PENDANT OR RADIO SYSTEM

2 THROTTLE CONTROL IS DESIGNED TO PROVIDE A GROUND SIGNAL WHEN RELAY IS ACTIVATED

INSTALL IN-LINE WITH IGNITION COIL (GAS) OR FUEL SOLENOID (DIESEL).



RELAY SCHEMATIC

ITEM	QTY	PART#	DESCRIPTION
1	3	22739	RELAY
2	3	!PHCS#1024075	#10-24 X 3/4 PHIL PAN HD BOLT
3	3	!LWSH-#10	#10 LOCKWASHER
4	3	!FWSH-025	#10 WASHER
5	3	!HNUT-#1024	#10 NUT
6	1	22607	WIRE HARNESS - 12/3 SJO
7	1	22609	WHITE - 16 GAGE ELECTRICAL WIRE - 15 FEET LONG
8	2	22610	BLACK - 16 GAGE ELECTRICAL WIRE - 15 FEET LONG
9	1	22611	GREEN - 16 GAGE ELECTRICAL WIRE - 15 FEET LONG
10	2	22612	BLACK - 16 GAGE ELECTRICAL WIRE - 6 INCHES LONG
11	1	22613	BLACK - 16 GAGE ELECTRICAL WIRE - 8 FEET LONG
12	1	22614	RED - 14 GAGE ELECTRICAL WIRE - 15 FEET LONG
13	1	01181	BUSS BAR
14	1	22619	BLACK - 16GA WIRE ASSY - 6" LONG W/ 3 INCH PIGTAIL



VENCO VENTURO INDUSTRIES LLC  
CINCINNATI, OHIO

TITLE ENGINE START / STOP  
THROTTLE CONTROL

HT CRANES

DATE 06-09-20F

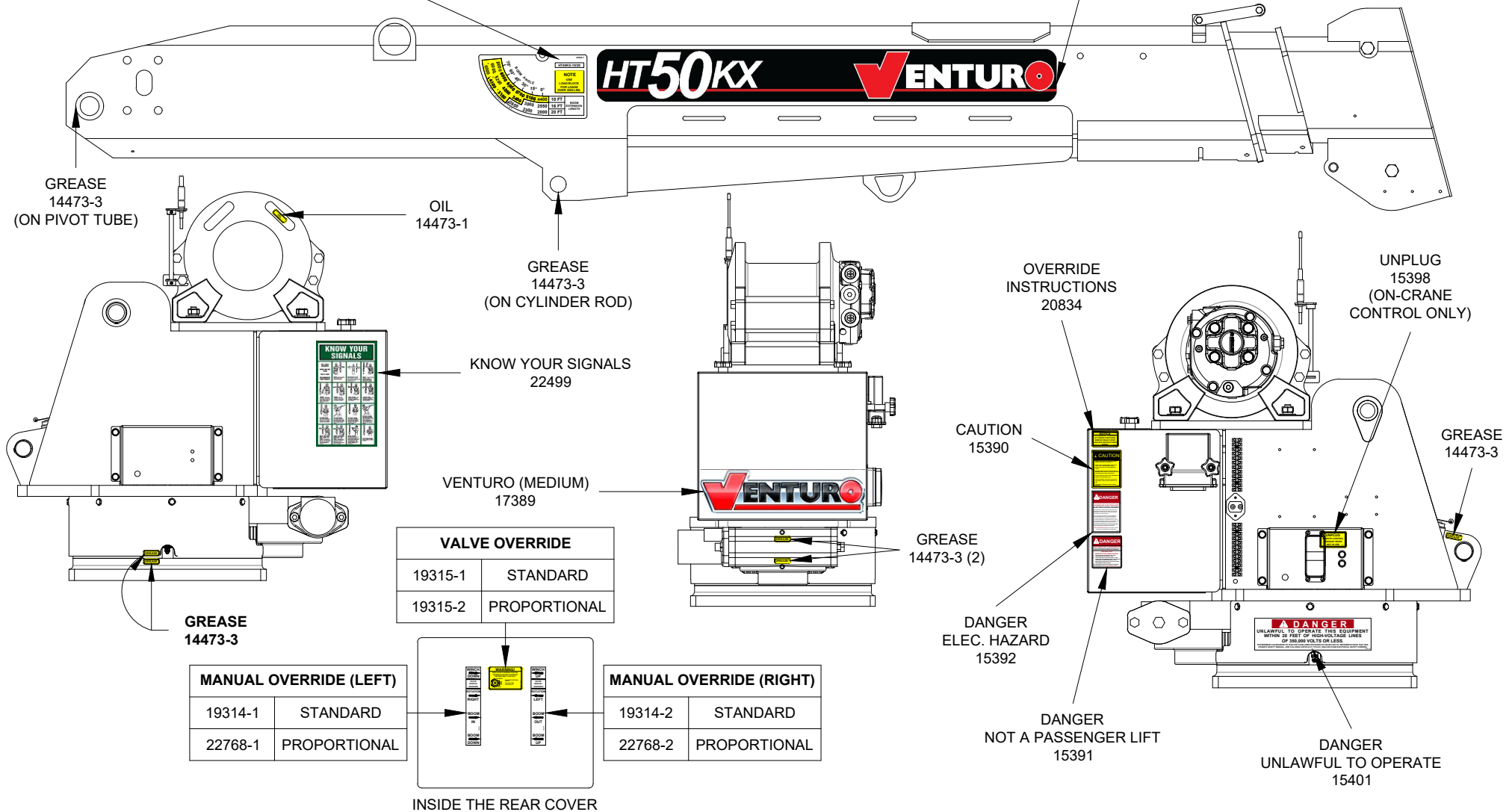
SUPERSEDES 02-21-14E

SECTION C400

22615

BOOM CAPACITY DECALS				
	HT40KX		HT50KX	
	20' BOOM	25' BOOM	20' BOOM	25' BOOM
RIGHT	22342-1	23064	22352-1	22877-1
LEFT	22342-2	23065	22352-2	22877-2

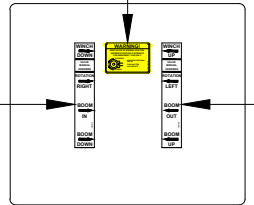
MODEL NAME DECALS	
HT40KX	HT50KX
28523 (2)	28520 (2)



VALVE OVERRIDE	
19315-1	STANDARD
19315-2	PROPORTIONAL

MANUAL OVERRIDE (LEFT)	
19314-1	STANDARD
22768-1	PROPORTIONAL

MANUAL OVERRIDE (RIGHT)	
19314-2	STANDARD
22768-2	PROPORTIONAL



INSIDE THE REAR COVER



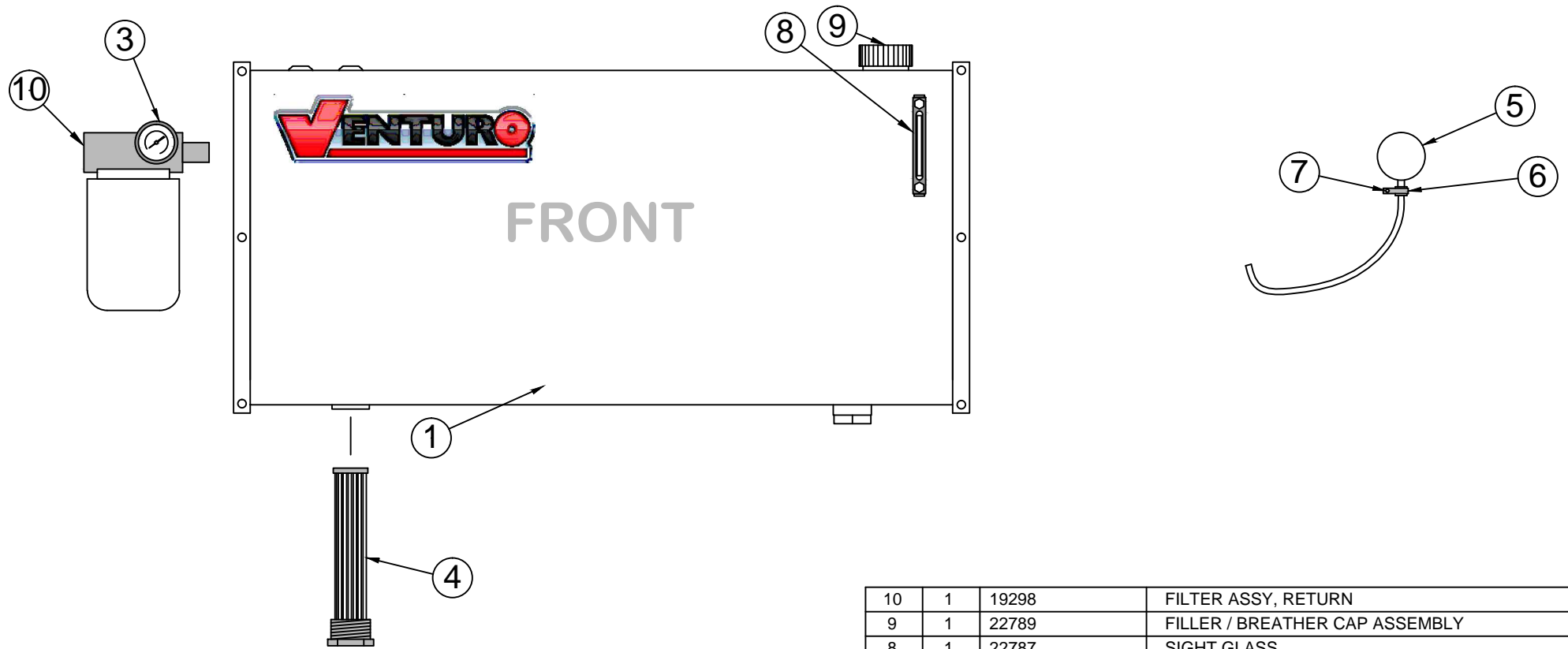
VENCO VENTURO INDUSTRIES LLC  
CINCINNATI, OHIO

TITLE  
**DECAL PLACEMENTS**  
  
HT40/50KX SERIES

DATE  
06-16-23  
  
SUPERSEDES  
-

SECTION  
C400  
  
**28522**





10	1	19298	FILTER ASSY, RETURN
9	1	22789	FILLER / BREATHER CAP ASSEMBLY
8	1	22787	SIGHT GLASS
7	1	!HWHS02520075-F	HEX WASHER HEAD 1/4-20 X 3/4 SELF TAPPING
6	1	19275	CLAMP
5	1	22730	PRESSURE GAUGE ASSEMBLY
4	1	22788	SUCTION SCREEN - 100 MESH
3	1	19297	PRESSURE GAUGE - RETURN
▲ 2	-	-	-
▲ * 1	1	22785	HYDRAULIC RESERVOIR - 25 GAL (18" x 40" x 8")
		22998	HYDRAULIC RESERVOIR - 40 GAL (20" x 42" x 11")
ITEM	QTY	PART NUMBERS	DESCRIPTION



VENCO VENTURO INDUSTRIES LLC  
CINCINNATI, OHIO

TITLE

RESERVOIR KIT REPL PARTS

DATE

12-09-22D

SECTION

C400

HT CRANES; 25/40 GAL RESERVOIR

SUPERSEDES

08-04-15C

23224

# HT50KX FIELD SERVICE LABEL KITS

GENERATION				22924 FIELD SERVICE LABEL KITS FOR ALL HT50KX CRANE MODELS	
STANDARD 20'	PROPORTIONAL 20'	STANDARD 25'	PROPORTIONAL 25'		
QUANTITY				PART #	DESCRIPTION
2	2	2	2	28520	DECAL; MODEL HT50KX
1	1	1	1	17389	DECAL; VENTURO LOGO, MEDIUM
1	1	-	-	22352-1	DECAL; BOOM CAPACITY, HT50KX, 10'/16'/20', RIGHT
1	1	-	-	22352-2	DECAL; BOOM CAPACITY, HT50KX, 10'/16'/20', LEFT
-	-	1	1	22877-1	DECAL; BOOM CAPACITY, HT50KX, 12'/18.5'/25', RIGHT
-	-	1	1	22877-2	DECAL; BOOM CAPACITY, HT50KX, 12'/18.5'/25', LEFT
1	1	1	1	14473-1	DECAL; OIL
7	7	7	7	14473-2	DECAL; GREASE
1	1	1	1	17813	DECAL; OVERLOAD SENSING SYSTEM
1	1	1	1	14459	DECAL; OVERLOAD ALARM SYSTEM (OPTIONAL PART)
1	1	1	1	22499	DECAL; KNOW YOUR SIGNALS
1	1	1	1	20834	DECAL; MANUAL OVERRIDE, INSTRUCTIONS
1	-	1	-	19315-1	DECAL; MANUAL OVERRIDE, SHUTOFF, STANDARD
-	1	-	1	19315-2	DECAL; MANUAL OVERRIDE, SHUTOFF, PROPORTIONAL
1	-	1	-	19314-1	DECAL; MANUAL OVERRIDE, STANDARD, LEFT
1	-	1	-	19314-2	DECAL; MANUAL OVERRIDE, STANDARD, RIGHT
-	1	-	1	22768-1	DECAL; MANUAL OVERRIDE, PROPORTIONAL, LEFT
-	1	-	1	22768-2	DECAL; MANUAL OVERRIDE, PROPORTIONAL, RIGHT
-	-	-	-	25581	DECAL; ATTACH PENDANT CORD
1	1	1	1	22926	IDWG; FIELD SERVICE LABEL KITS, HT50KX
1	1	1	1	28522	IDWG; DECAL PLACEMENTS, HT40/50KX, GEN B C & D
-	-	-	-	22489	IDWG; DECAL PLACEMENTS, HT40/50KX, GEN. A
1	1	1	1	INST-23233	SAFETY MANUAL, VENTURO CRANES
1	1	1	1	15397	KIT; ACCIDENT PREVENTION SIGNS

▲



VENCO VENTURO INDUSTRIES LLC  
CINCINNATI, OHIO

TITLE  
FIELD SERVICE LABEL KITS

HT50KX

DATE  
07-17-23F

SUPERSEDES  
06-16-23E

SECTION  
C400

22926





# VENTURO CRANES LIMITED WARRANTY POLICY

Venturo products are built to last...we guarantee them.

As a purchaser of any new Venturo product covered by warranty, you will receive 1 year of the most complete coverage available...and, at no added cost to you.

## 1-Year Limited Warranty Policy

This limited policy warrants new products of Venturo to be free from defects in material and workmanship for a period of one (1) year from date of original installation. OEM products or accessories purchased by Venturo as part of or offered with our product will carry the OEM manufacturer's respective warranty. Our warranty covers:

- ***Repair or replacement of product***
- ***Labor to repair or replace product***
- ***Freight to return and/or replace product***

We shall not be liable for any contingent liabilities arising out of the improper function of any products. Warranty shall become void if the product is improperly installed, modified, damaged, abused or used for application other than intended use. There is no warranty of merchantability, fitness for a particular purpose, warranty arising from course of dealing or usage of trade, or any other implied or expressed warranty, except as made specifically herein. This warranty supersedes all previous warranties, written or implied.

## Warranty Claims

Venco Venturo Industries LLC will make a good faith effort for prompt correction or other adjustment with respect to any product, which proves to be defective after our inspection and within the warranty period. Before any repairs are attempted or before returning any product, your Venturo Distributor is required to obtain a warranty claim number. This number is necessary for any claim to be considered. To obtain a warranty claim number, Venturo requires the model and serial number. Only authorized Venturo Distributors can perform warranty. For the name and address of your local Venturo Distributor call the **Warranty Claim Department - 513-772-8448**.

**WARNING** - It is the responsibility of the installer to ensure the installation is completed according to the manufacturer's recommendations, ensure the ultimate user understands how to operate product in a safe manner, and understands the need for regular service and maintenance by an authorized Venturo Distributor. No modifications or alterations may be made to any Venturo product without the expressed written consent of Venco Venturo Industries LLC. Installation of any Venturo product must be done by an authorized Venturo Distributor, to the standards of the industry; including maintenance, service and affixing of all instruction, safety and warning decals. Users should be instructed as to the safe operation at time of delivery. Maintenance, service, operation and safety warning decals are available on request from Venco Venturo Industries LLC.

**VENCO VENTURO INDUSTRIES LLC**  
12110 BEST PLACE | CINCINNATI, OHIO 45241  
P: 800-226-2238 | F: 513-326-5427  
[www.venturo.com](http://www.venturo.com)