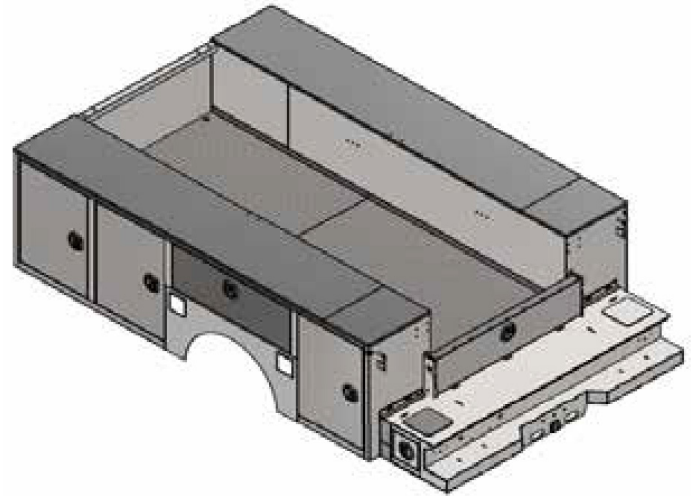


# CRANE BODY VP40-132-FLT



<b>Crane Capacity</b>	Up to 8,000 lbs
<b>Cab-Axle</b>	84" CA
<b>Ft-lbs Rating</b>	6,000 - 50,000 ft.lbs.
<b>Bed Length</b>	11 ft. (132")
<b>Tire Size</b>	19.5" (DRW)
<b>Crosstube</b>	24962-CD / 25100
<b>Min. GVWR</b>	Class 3 - 10,000 lbs
<b>Body Weight</b>	3,000 lbs.
<b>Model Number</b>	Pro 6

## SPECIFICATIONS

<b>Compartment Height</b>	40"
<b>Compartment Depth</b>	23"
<b>Cargo Space Width</b>	51.50"
<b>SS/CS-1 Dimensions</b>	31"W x 40"T
<b>SS/CS-2 Dimensions</b>	26"W x 40"T
<b>SS/CS-3 Dimensions</b>	35"W x 40"T
<b>SS/CS-4 Dimensions</b>	25"W x 40"T
<b>Main Body Material</b>	14-ga Galvanneal
<b>Compartment Bottoms</b>	10-ga Galvanneal
<b>Compartment Tops</b>	12-ga HR treadplate
<b>Inner Door Panels</b>	0.063 Aluminum
<b>Outer Door Panels</b>	0.063 Aluminum
<b>Wheel Panels</b>	14-ga Galvanneal
<b>Front Bulkhead</b>	14-ga Galvanneal
<b>Adjustable Shelving</b>	14-ga Galvanneal
<b>Bed Wall Liners</b>	12-ga HR treadplate

### Body Floor and Understructure

- 12-ga treadplate floor
- 10" high x 10 ga Grade 50 channel frame
- 12-ga Grade 50 underbelly plate

### Powder Coat Finish

White

### Standard Accessories

- 3-point whaletail compression door latches
- Gas cylinder type door holders
- Rubber rolled crown fenderettes installed
- Master Door Locking System
- Adhesive LED strip lights in all (10) compartments
  - Top and Sides
  - Top of Horizontal Compartment
- Strap Hinges
- 6,000 lb. Tie-Downs

## STANDARD EQUIPMENT

- Workbench Bumper w/ Vise Plate
- 24962-CD or 25100 Crosstube
- (4) LED Exterior Worklights
- White Powder Coat
- Bedliner (Cargo area, Compartment Tops, Walls, Bumper, Interior Tailgate)

## APPLICABLE CRANE MODELS

Up to Venturo HT50KX-25 8,000 lbs

# CRANE BODY VP40-132-FLT

