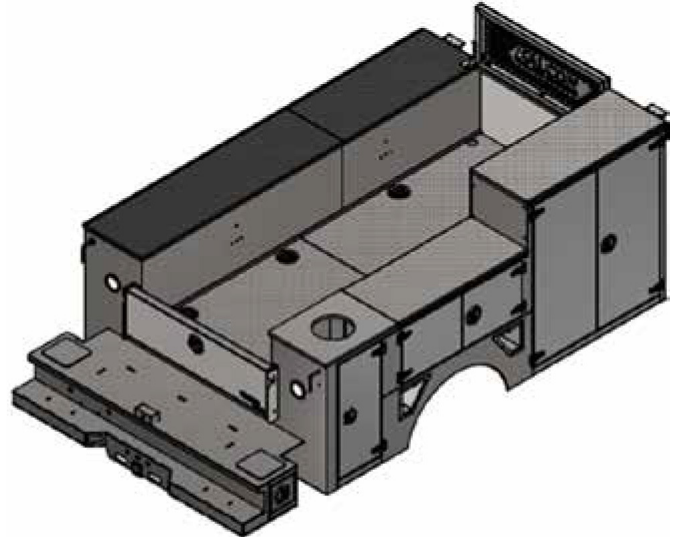




# CRANE BODY VP40-132-DTF



<b>Crane Capacity</b>	Up to 8,000 lbs
<b>Cab-Axle</b>	84" CA
<b>Ft-lbs Rating</b>	50,000 ft.lbs.
<b>Bed Length</b>	11 ft. (132")
<b>Tire Size</b>	19.5" (DRW)
<b>Crosstube</b>	25100
<b>Min. GVWR</b>	Class 4 - 11,000 lbs
<b>Body Weight</b>	4,200 lbs.
<b>Model Number</b>	Pro 8

## SPECIFICATIONS

<b>Compartment Height</b>	44" / 60"
<b>Compartment Depth</b>	22"
<b>Cargo Space Width</b>	50"
<b>SS-1 Dimensions</b>	31"W x 60"T
<b>CS-1 Dimensions</b>	31"W x 60"T
<b>SS/CS-2 Dimensions</b>	26"W x 44"T
<b>SS/CS-3 Dimensions</b>	35"W x 44"T
<b>SS/CS-4 Dimensions</b>	25"W x 44"T
<b>Main Body Material</b>	14-ga Galvanneal
<b>Compartment Bottoms</b>	10-ga Galvanneal
<b>Compartment Tops</b>	12-ga HR treadplate
<b>Inner Door Panels</b>	0.063 Aluminum
<b>Outer Door Panels</b>	0.063 Aluminum
<b>Wheel Panels</b>	14-ga Galvanneal
<b>Front Bulkhead</b>	14-ga Galvanneal
<b>Adjustable Shelving</b>	14-ga Galvanneal
<b>Bed Wall Liners</b>	12-ga HR treadplate

<b>Body Floor and Understructure</b>	12-ga treadplate floor 10" high x 10 ga Grade 50 channel frame 12-ga Grade 50 underbelly plate
<b>Powder Coat Finish</b>	White
<b>Standard Accessories</b>	3-point whaletail compression door latches Gas cylinder type door holders Rubber rolled crown fenderettes installed Master Door Locking System Adhesive LED strip lights in all (10) compartments Top and Sides Top of Horizontal Compartment Strap Hinges 6,000 lb. Tie-Downs

## STANDARD EQUIPMENT

- Workbench Bumper w/ Vise Plate
- 25100 Crosstube
- (4) LED Exterior Worklights
- White Powder Coat
- Bedliner (Cargo area, Compartment Tops, Walls, Bumper, Interior Tailgate)

## APPLICABLE CRANE MODELS

Up to Venturo HT50KX-25 8,000 lbs

# CRANE BODY VP40-132-DTF

