



**PISTON**

# the BA440

## Hydraulic Drive Piston Air Compressor

**OUR FLAGSHIP AIR COMPRESSOR JUST GOT BETTER!**



**FOR THE MECHANICS TRUCK AND TIRE SERVICE INDUSTRY!**

more air solutions at  
**BOSSair.com**

**BOSS**<sup>®</sup>  
engineered **AIR** systems

# the BA440

## Hydraulic Drive Piston Air Compressor

When performance and reliability matter, the BA440 is ideal for the Mechanics Truck and Tire Service Professionals!

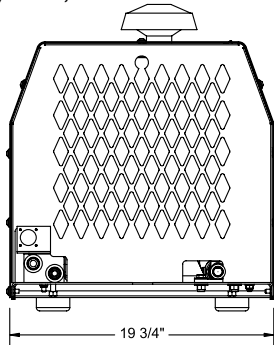
At the heart of the system is an aluminum, single stage, V4, pressure and splash lubricated reciprocating air compressor. Fully assembled in the U.S., the aluminum compressor assembly offers lighter weight and higher thermal efficiency than cast iron compressor assemblies. The BA440 includes an internal oil pump for increased lubrication over that of splash lubrication only compressors. And to make life easier for you, all routine maintenance is accessible without removal of the canopy!

And here is what's exciting about the BA 440!

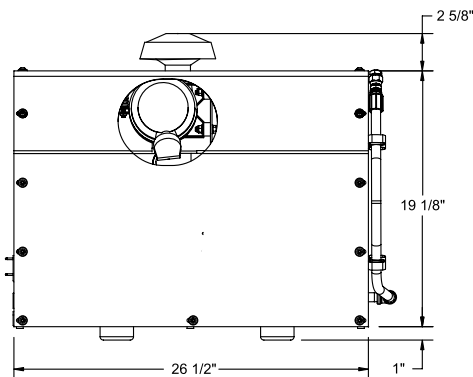
Now with our new design, we are as flexible as your hydraulic requirements. From 8 GPM to 12 GPM we can offer you a variety of outputs to fit your demands!

See the chart below for all the hydraulic pressure and flow requirements.

CFM/PSI	INPUT RPM	GPM	HYD PSI
30/100 (150 max)	1,150	8	1,850 (2,100 max)
35/100 (150 max)	1,400	10	1,850 (2,100 max)
40/100 (150 max)	1,650	12	1,850 (2,100 max)



Note: Fresh air clearance minimum 10"



**BOSS BA440 Dimensions**

### BENEFITS

- High air discharge temperature shutdown
- Integrated compressor hydraulic cooler
- Pressure lubricated oil pump and splash lubrication
- The piston assembly is direct coupled to a hydraulic gear motor resulting in a "No belt, No worries" air compressor.
- Open center valve block with hydraulic pressure relief
- Auto start/stop based on system air pressure
- Lightweight rustproof aluminum canopy
- Aluminum piston assembly for maximum thermal heat transfer
- 1/2 the weight of comparable cast iron piston assemblies
- 2-Stage Donaldson® air filter
- Auto head unloader for smooth starting
- Balanced crankshaft

### COMPRESSOR at 40CFM@100PSIG

Type	Single-stage, 4-cylinder piston
Delivery	up to 40cfm @ 100psig (150psig max.) @ 1,650rpm
Duty Cycle	Intermittent
Power Source	Hydraulic motor
Bore	2 5/8"
Stroke	2 1/2"
Displacement	44cfm*
Cooling	Air
Fan Diameter	14 1/8"
Hydraulic Flow @ 1,650 RPM	12gpm
Hydraulic Pressure	2,100psig (2,400psig max.)
Ambient Air Temperature	-20° to 100° F
Max Operating Slope	20°
Hydraulic System	Open center (Closed Center Optional)
Reservoir requirement	12 gallon minimum
Lubrication	Pressure lube
Oil Capacity	1 1/3 qts.
Electrical	12vdc standard (24vdc optional)
Hydraulic System Cooler	Included as standard. (compressor hydraulic cooling only)
Dimensions	26 1/2"L x 19 1/8"H** x 19 3/4"W
Enclosure	Powder-coated aluminum
Weight	180lbs. (Dry)
Warranty	18 Months
Air Reservoir	22 Gallon Minimum

\*At 1,650rpm.

\*\*Add 2 5/8" to height for air filter cap.

**DISTRIBUTED BY:**



### BOSS INDUSTRIES, LLC.

1761 Genesis Drive LaPorte, IN 46350

Voice: (219) 324-7776 • (800) 635-6587 • Fax: (219) 324-7470

Electronic: www.bossair.com • email: sales@bossair.com

Specifications subject to change without notice.

©2018 Boss Industries, LLC. Printed in U.S.A. BA440. 500. 04/03/18. BI