



**VENCO  
VENTURO**

**INDUSTRIES LLC**

**CRANE ACCESSORIES**

**MOUNTING PEDESTALS,  
MOUNTING SOCKETS, BOOM RESTS,  
& HYDRAULIC RESERVOIR TANKS**

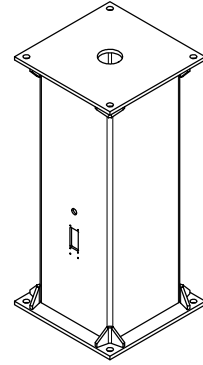
BLANK PAGE

# TABLE OF CONTENTS - CRANE ACCESSORIES - INSTALLATION MANUAL

PAGE

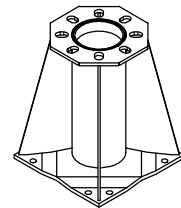
**CRANE PEDESTALS**

	<u>PART NUMBER</u>	<u>HEIGHT(S)</u>	<u>CRANE MODEL(S)</u>
01	14930	21" & 36"	DT7K
02	20480	8", 21" & 36"	CT310KX & ET6K
03	21571	21" & 36"	ET8/12K(X)
04	21699	36"	ET16/18KX
05	17576	36"	ET25/30/36KX, HT25/30KX
06	17830	36"	HT40/50KX
07	27656	36"	HT66KX



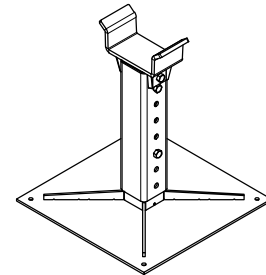
**MOUNTING SOCKETS**

	<u>PART NUMBER</u>	<u>SOCKET TYPE</u>	<u>CRANE MODEL(S)</u>
08	13171	TYPE 'A', RECESSED	CT200X SERIES
09	13172	TYPE 'C', PEDESTAL	CT200X SERIES



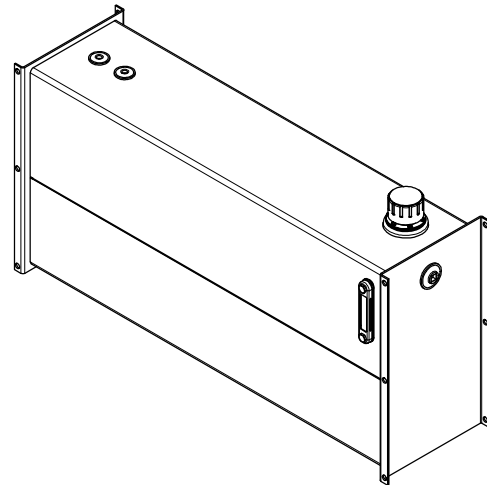
**BOOM RESTS**

	<u>PART NUMBER</u>	<u>HEIGHT(S)</u>	<u>CRANE MODEL(S)</u>
10	21440	13" TO 19"	ET6K, ET8/12K(X)
11	20381	18" TO 28"	ET16KX & UP



**HYDRAULIC RESERVOIR TANKS**

	<u>KIT NUMBER</u>	<u>MAX LEVEL</u>
	19294	10 GALLONS
12	ISOMETRIC VIEW	
13	OVERALL DIMENSIONS	
14	PARTS BREAKDOWN	
	22785	25 GALLONS
15	ISOMETRIC VIEW	
16	OVERALL DIMENSIONS	
17	PARTS BREAKDOWN	
	22998	40 GALLONS
18	ISOMETRIC VIEW	
19	OVERALL DIMENSIONS	
20	PARTS BREAKDOWN	



VENCO VENTURO INDUSTRIES LLC  
CINCINNATI, OHIO

TABLE OF CONTENTS

DATE  
04-24-17

PAGE  
00

CRANE ACCESSORIES

SUPERSEDES  
-

25740

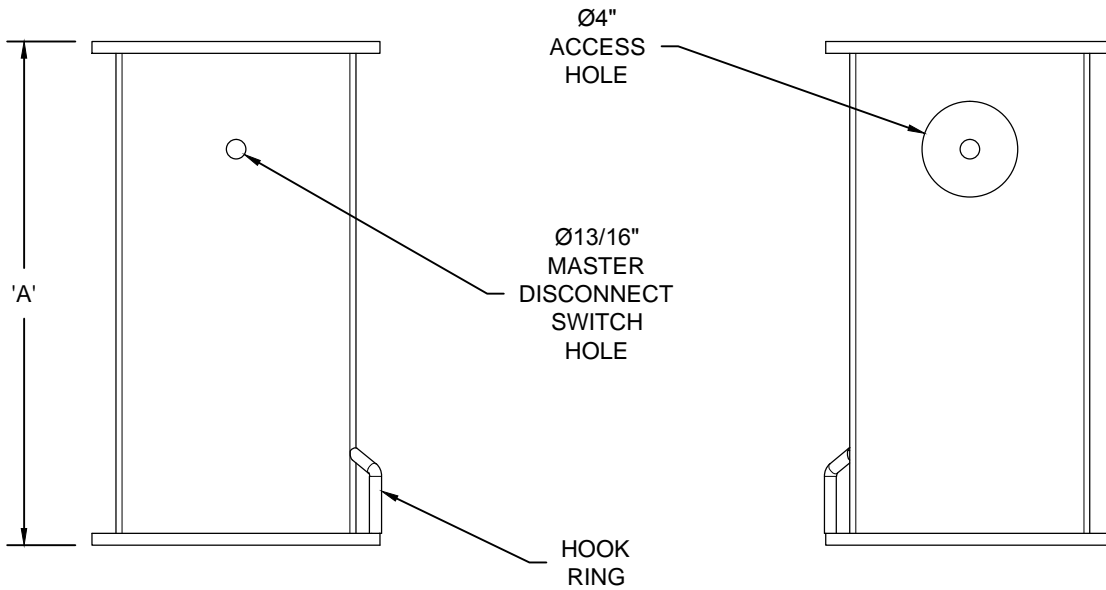
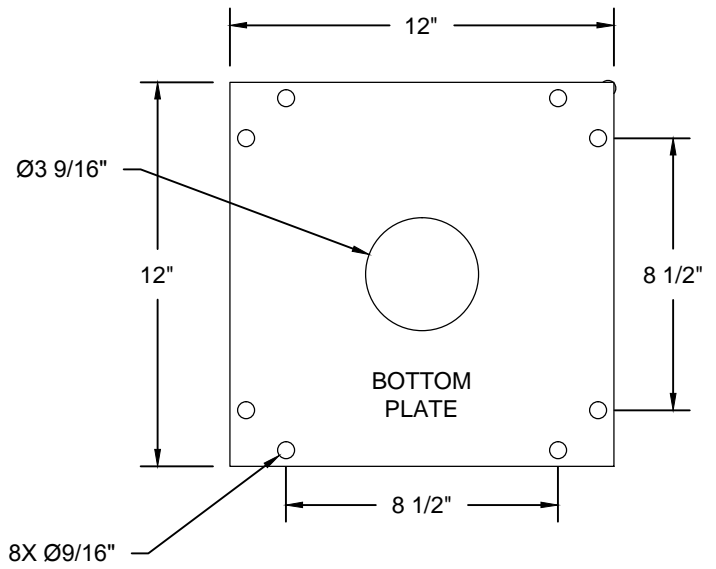
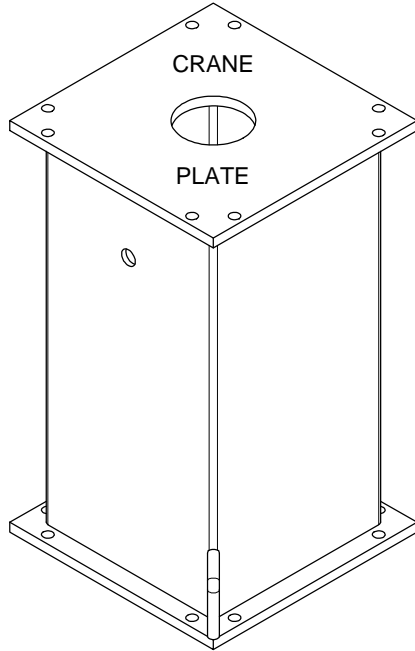
# CRANE PEDESTALS



VENCO VENTURO INDUSTRIES LLC  
CINCINNATI, OHIO



# ACCESSORY OVERVIEW, 14930 PEDESTAL



<b>DIM 'A'</b>
21"
36"

<b>CRANES</b>
DT7K



VENCO VENTURO INDUSTRIES LLC  
CINCINNATI, OHIO

14930 PEDESTAL

ACCESSORY OVERVIEW

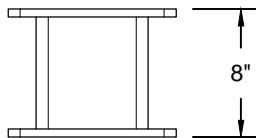
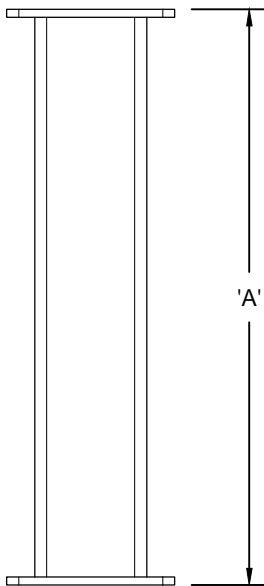
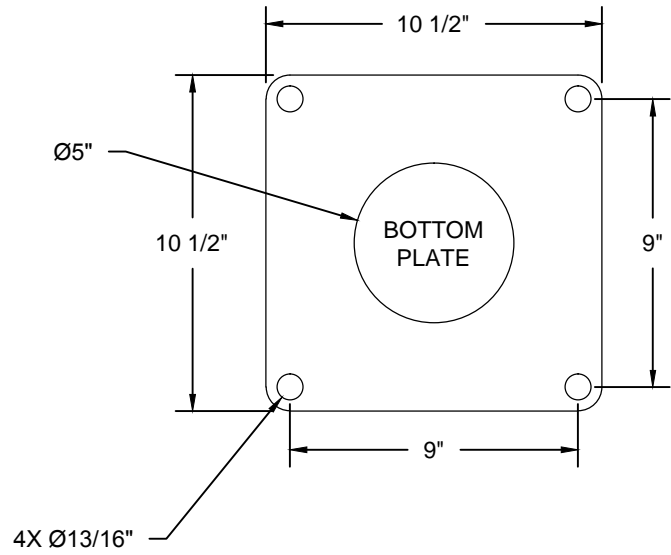
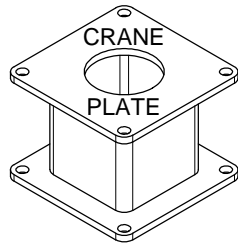
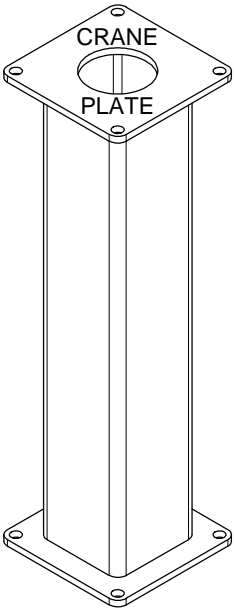
DATE  
04-24-17

SUPERSEDES  
-

PAGE  
01

25741

# ACCESSORY OVERVIEW, 20480 PEDESTAL



ET6K
DIM 'A'
21"
36"

CT310KX
8"



VENCO VENTURO INDUSTRIES LLC  
CINCINNATI, OHIO

20480 PEDESTAL

ACCESSORY OVERVIEW

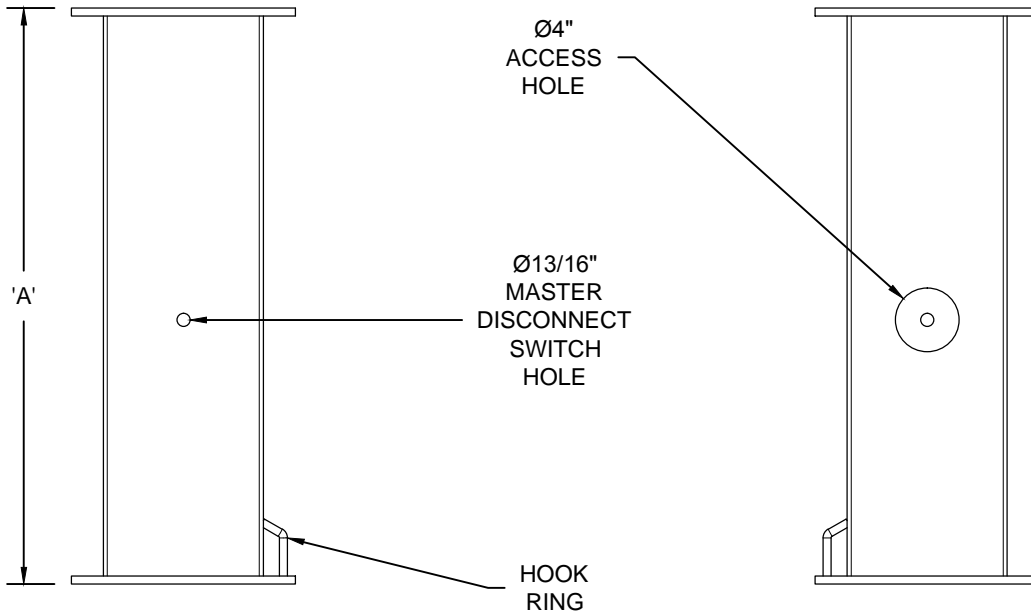
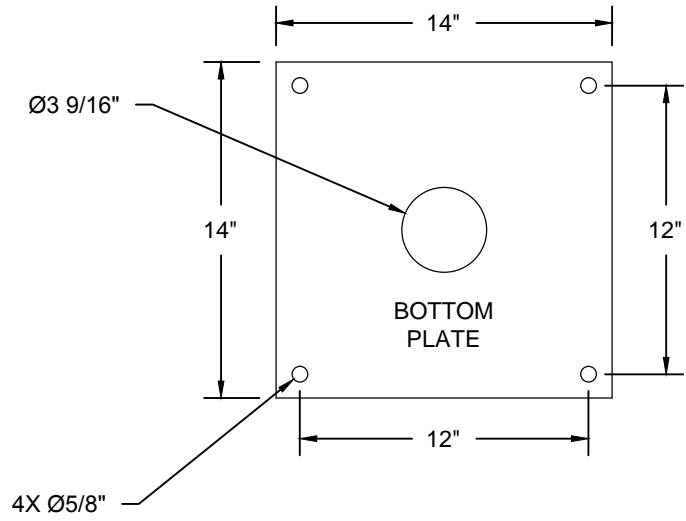
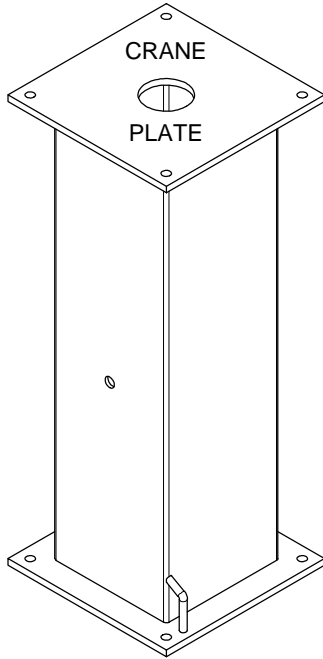
DATE  
04-24-17

SUPERSEDES  
-

PAGE  
02

25742

# ACCESSORY OVERVIEW, 21571 PEDESTAL



<b>DIM 'A'</b>
21"
36"

<b>CRANES</b>
ET8/12K(X)



VENCO VENTURO INDUSTRIES LLC  
CINCINNATI, OHIO

21571 PEDESTAL

ACCESSORY OVERVIEW

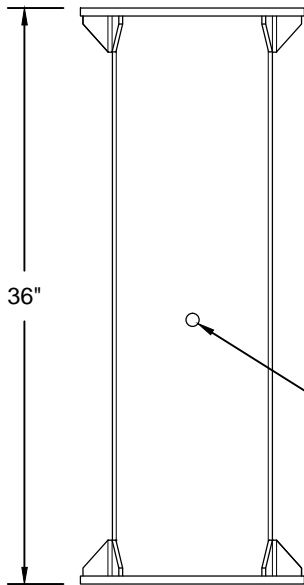
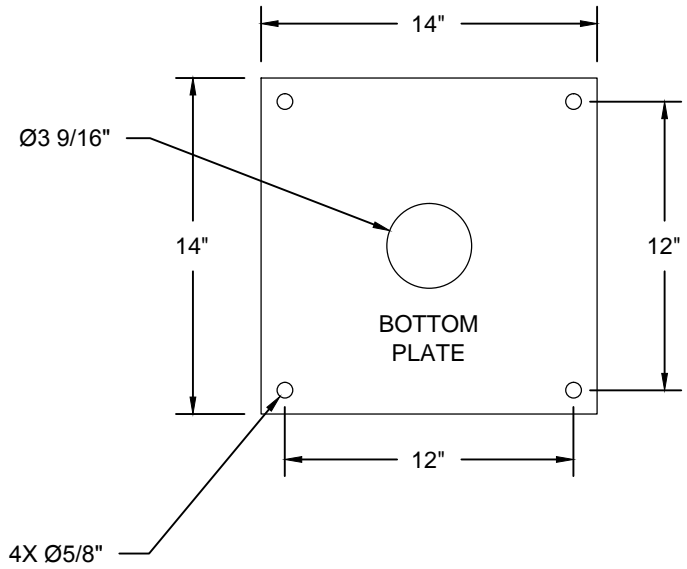
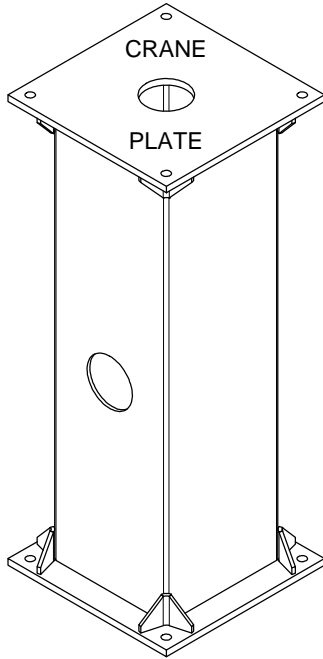
DATE  
04-24-17

SUPERSEDES  
-

PAGE  
03

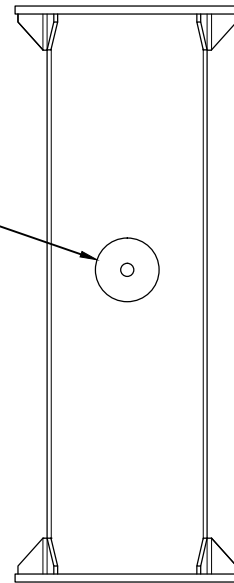
25743

ACCESSORY OVERVIEW, 21699 PEDESTAL



Ø4"  
ACCESS  
HOLE

Ø13/16"  
MASTER  
DISCONNECT  
SWITCH  
HOLE



**CRANES**

ET16/18KX



VENCO VENTURO INDUSTRIES LLC  
CINCINNATI, OHIO

21699 PEDESTAL

ACCESSORY OVERVIEW

DATE  
04-24-17

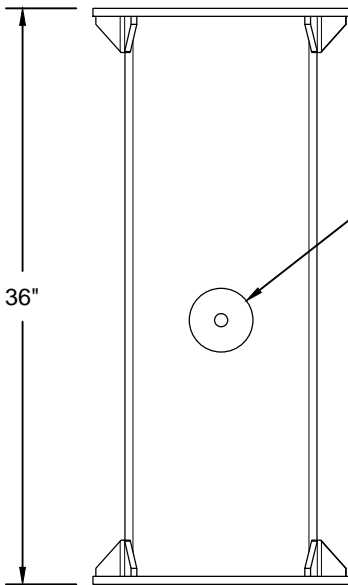
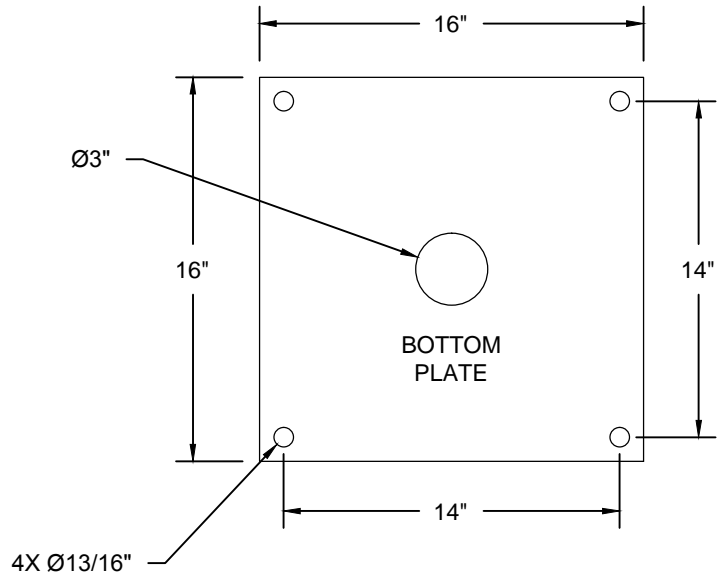
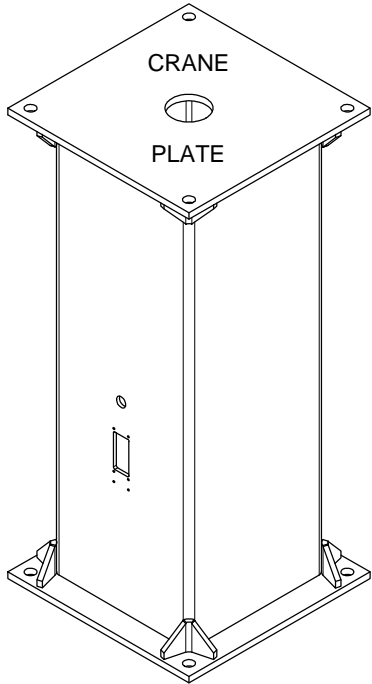
SUPERSEDES  
-

PAGE  
04

25744



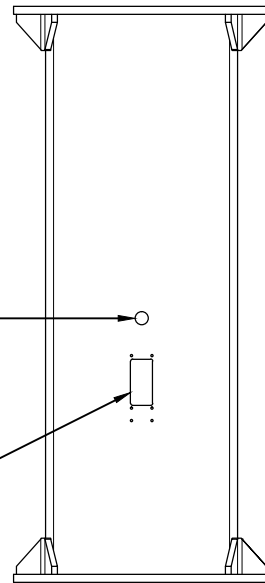
ACCESSORY OVERVIEW, 17576 PEDESTAL



Ø4"  
ACCESS  
HOLE

Ø13/16"  
MASTER  
DISCONNECT  
SWITCH  
HOLE

PENDANT  
SOCKET  
CUT-OUT



**CRANES**

ET25/30/36KX

HT25/30KX



VENCO VENTURO INDUSTRIES LLC  
CINCINNATI, OHIO

17576 PEDESTAL

ACCESSORY OVERVIEW

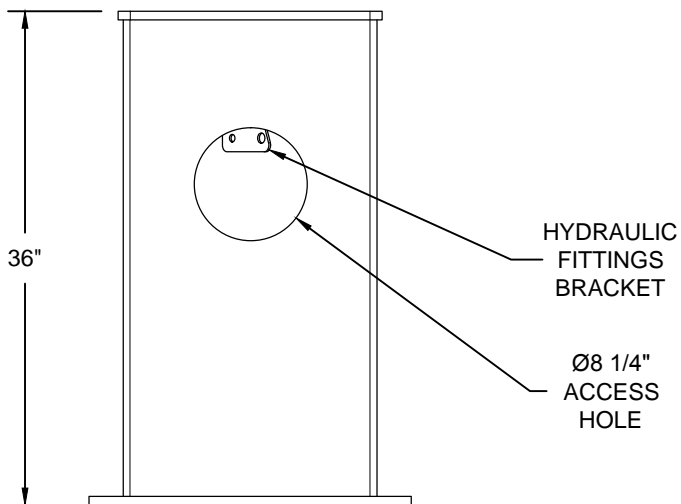
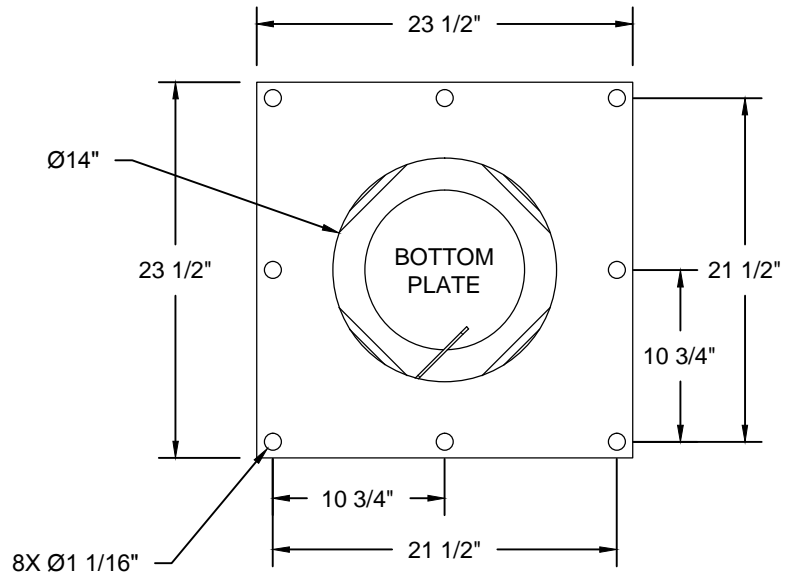
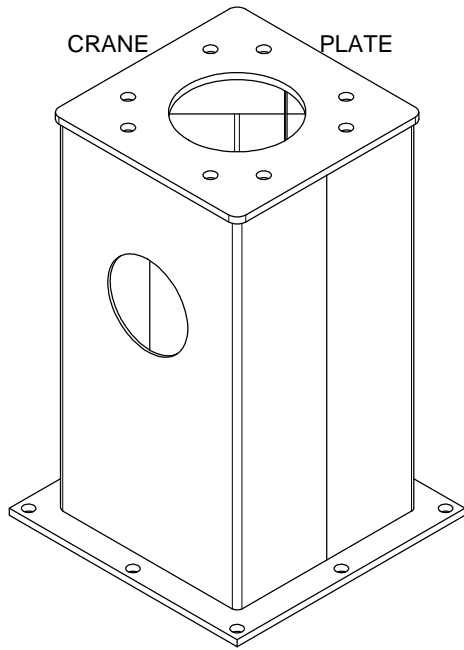
DATE  
04-24-17

SUPERSEDES  
-

PAGE  
05

25745

# ACCESSORY OVERVIEW, 17830 PEDESTAL



<b>CRANES</b>
HT40/50KX



VENCO VENTURO INDUSTRIES LLC  
CINCINNATI, OHIO

17830 PEDESTAL

ACCESSORY OVERVIEW

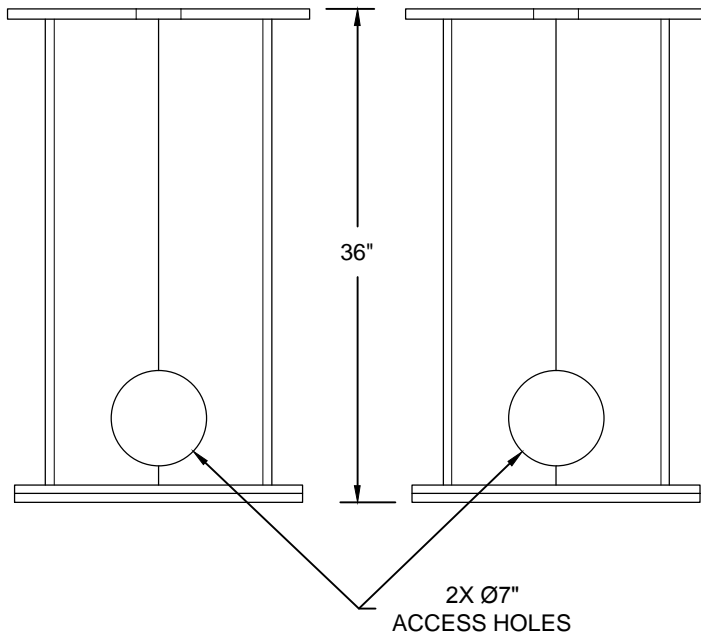
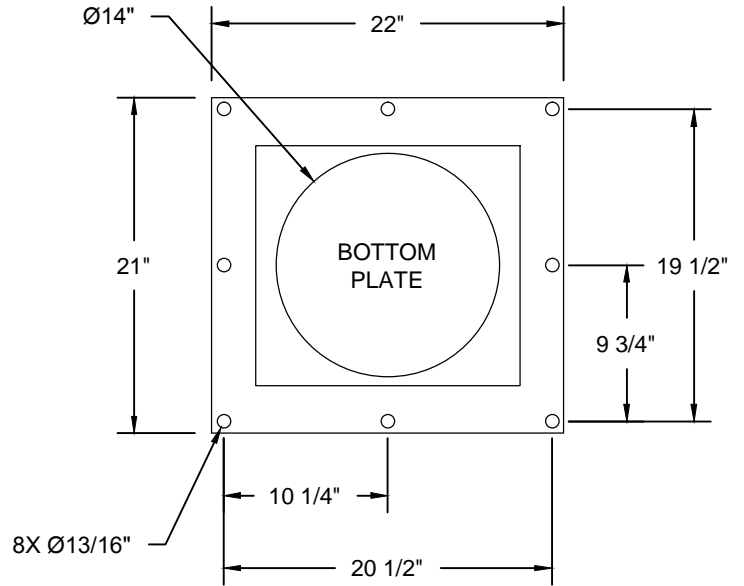
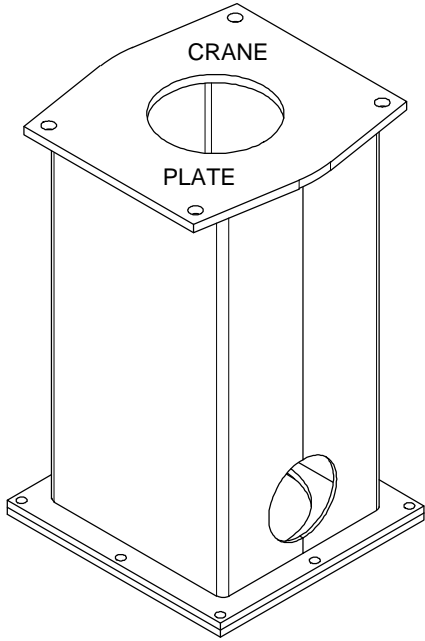
DATE  
04-24-17

SUPERSEDES  
-

PAGE  
06

25746

ACCESSORY OVERVIEW, 27656 PEDESTAL



<b>CRANES</b>
HT66KX



VENCO VENTURO INDUSTRIES LLC  
CINCINNATI, OHIO

27656 PEDESTAL

ACCESSORY OVERVIEW

DATE  
09-24-20A

SUPERSEDES  
04-24-17

PAGE  
07

25747

# MOUNTING SOCKETS

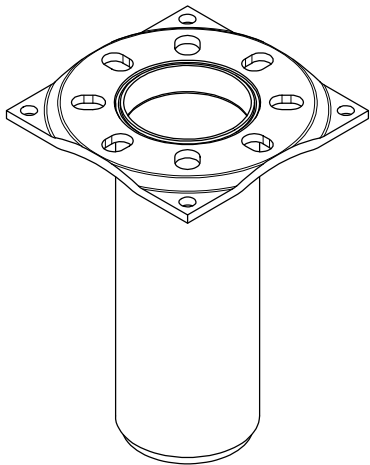


VENCO VENTURO INDUSTRIES LLC  
CINCINNATI, OHIO

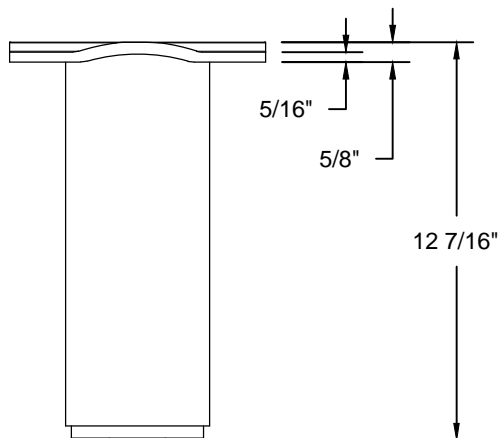
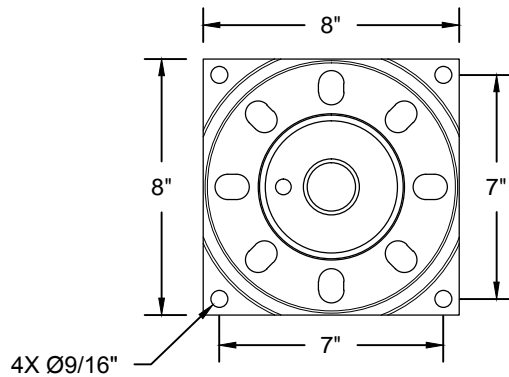


# ACCESSORY OVERVIEW, 13171 TYPE 'A' SOCKET

CRANE PLATE

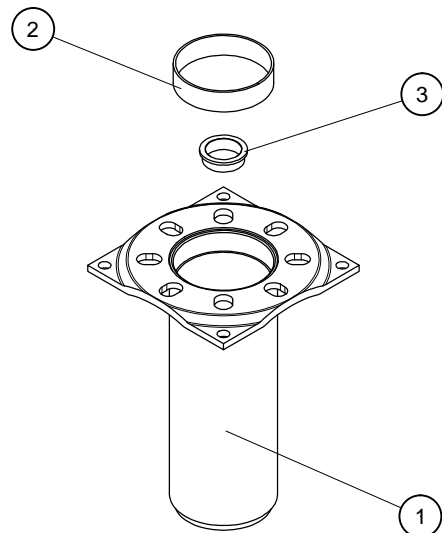


BOTTOM PLATE



CRANES
CT2003
CT2004
CT2005

PARTS BREAKDOWN			
#	DESCRIPTION	QTY	PART #
1	MOUNTING SOCKET	1	13171-WELD
2	FIBER BEARING	1	20179
3	BRONZE BEARING	1	11893



VENCO VENTURO INDUSTRIES LLC  
CINCINNATI, OHIO

13171 TYPE 'A' SOCKET

ACCESSORY OVERVIEW

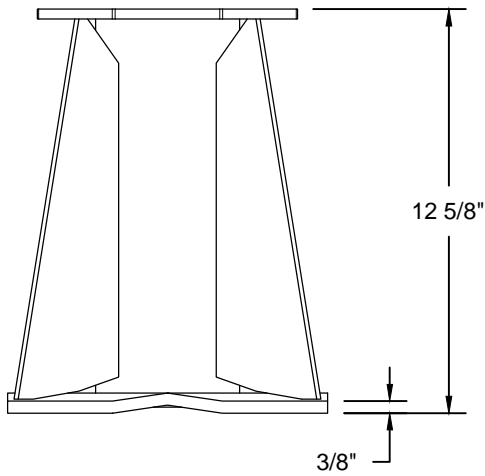
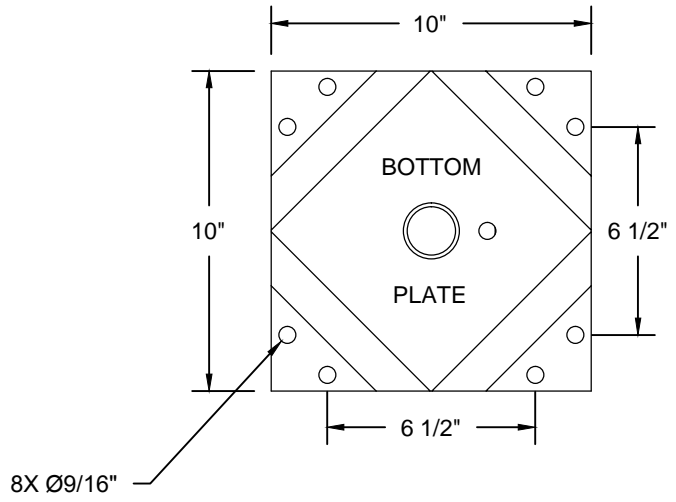
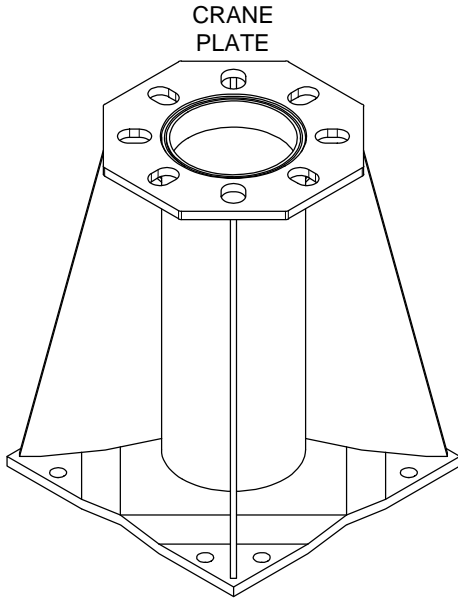
DATE  
04-24-17

SUPERSEDES  
-

PAGE  
08

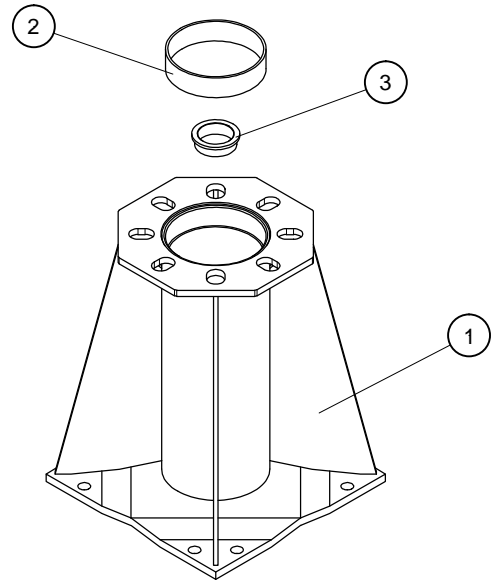
25748

# ACCESSORY OVERVIEW, 13172 TYPE 'C' SOCKET



CRANES
CT2003
CT2004
CT2005

PARTS BREAKDOWN			
#	DESCRIPTION	QTY	PART #
1	MOUNTING SOCKET	1	13172-WELD
2	FIBER BEARING	1	20179
3	BRONZE BEARING	1	11893



VENCO VENTURO INDUSTRIES LLC  
CINCINNATI, OHIO

13172 TYPE 'C' SOCKET

ACCESSORY OVERVIEW

DATE  
04-24-17

SUPERSEDES  
-

PAGE  
09

25749

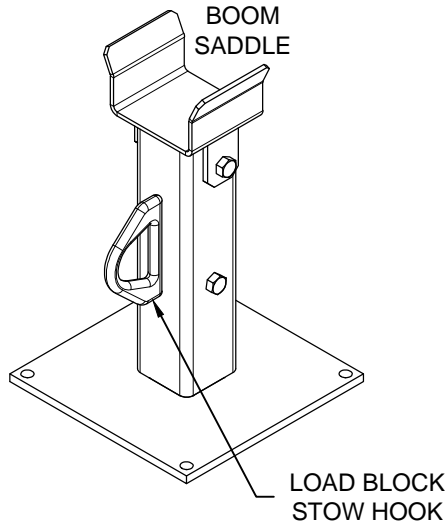
# BOOM RESTS



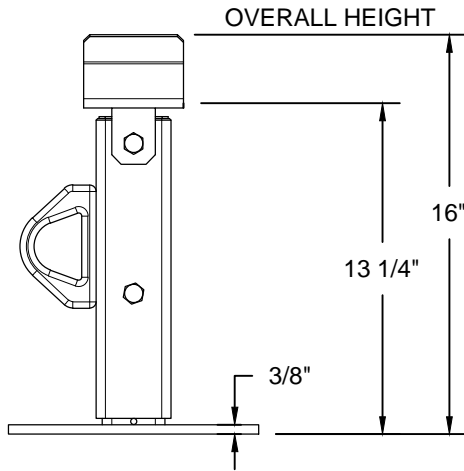
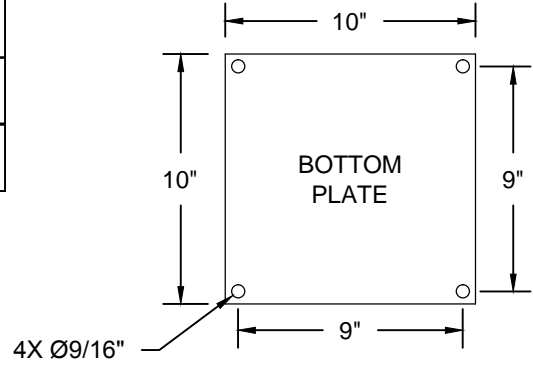
VENCO VENTURO INDUSTRIES LLC  
CINCINNATI, OHIO



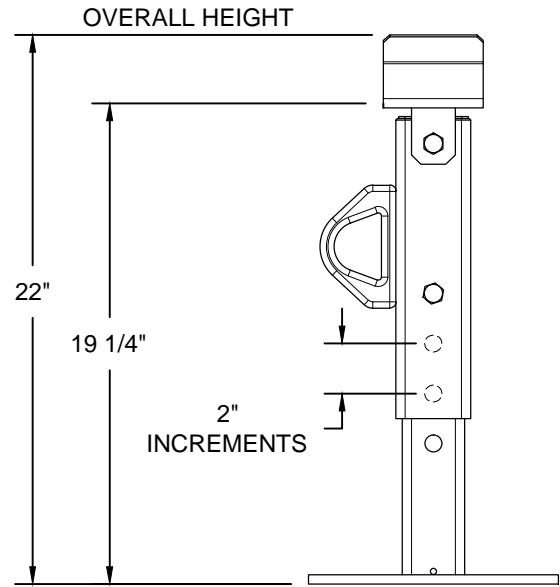
# ACCESSORY OVERVIEW, 21440 BOOM REST



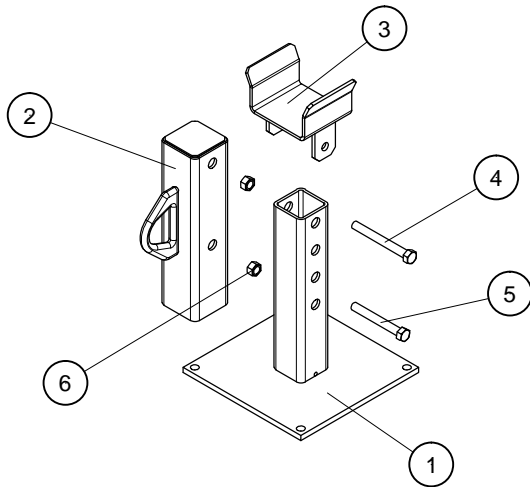
<b>CRANES</b>
ET6K
ET8/12K(X)



FULLY RETRACTED



FULLY EXTENDED



PARTS BREAKDOWN			
#	DESCRIPTION	QTY	PART #
1	INNER BASE	1	21441
2	OUTER TUBE	1	21444
3	BOOM SADDLE	1	20384
4	HHCS; 1/2-13 X 4", GR. 5	1	IHHCS05013400
5	HHCS; 1/2-13 X 4-1/2", GR. 5	1	IHHCS05013450
6	JA MNUT, NYLON; 1/2-13, GR. 5	2	UNUT-05013N



VENCO VENTURO INDUSTRIES LLC  
CINCINNATI, OHIO

21440 BOOM REST

ACCESSORY OVERVIEW

DATE  
03-05-19A

SUPERSEDES  
04-24-17

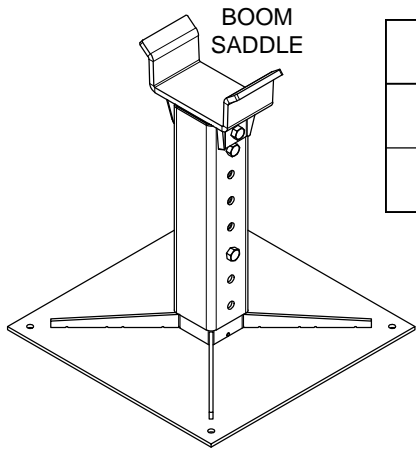
PAGE

10

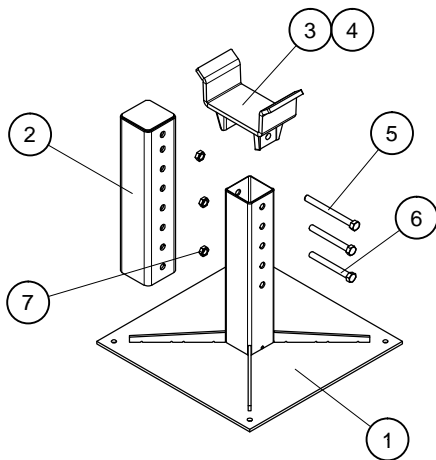
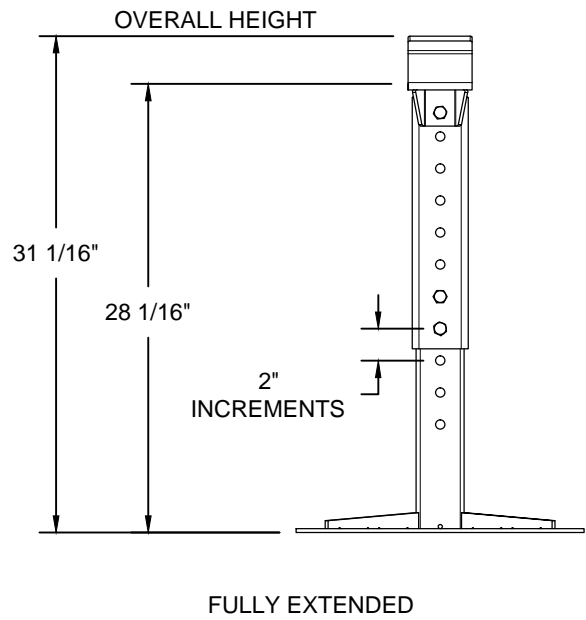
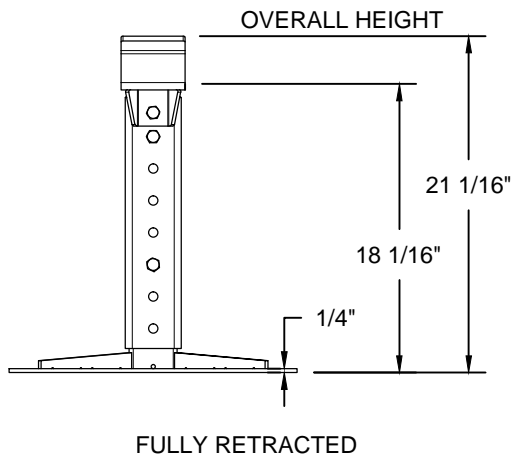
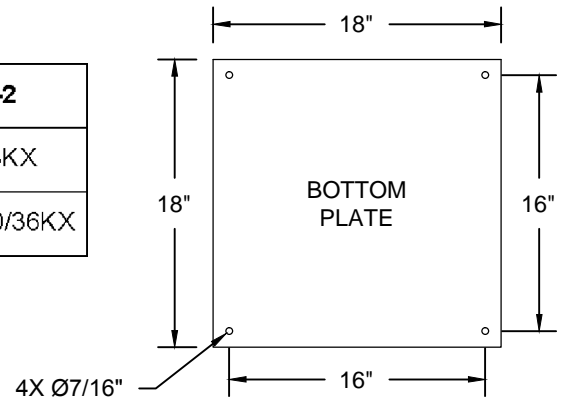
25750



# ACCESSORY OVERVIEW, 20381 BOOM REST



<b>20381-1</b>	<b>20381-2</b>
HT40/50KX	ET16/18KX
HT66KX	ET/HT25/30/36KX



PARTS BREAKDOWN		-1	-2	SEE 20381-
#	DESCRIPTION	QTY	PART #	
1	INNER BASE	2	1	20380
2	OUTER TUBE	2	1	20386
3	BOOM SADDLE	1	-	20339
4	BOOM SADDLE	-	1	21247
5	HHCS; 1/2-13 X 5-1/2", GR. 5	1	1	!HHCS05013400
6	HHCS; 1/2-13 X 4-1/2", GR. 5	2	2	!HHCS05013350
7	JAM LOCK NUT; 1/2-13, NYL.	3	3	!JNUT-05013N



VENCO VENTURO INDUSTRIES LLC  
CINCINNATI, OHIO

20381 BOOM REST

ACCESSORY OVERVIEW

DATE  
04-24-17

SUPERSEDES  
-

PAGE  
11

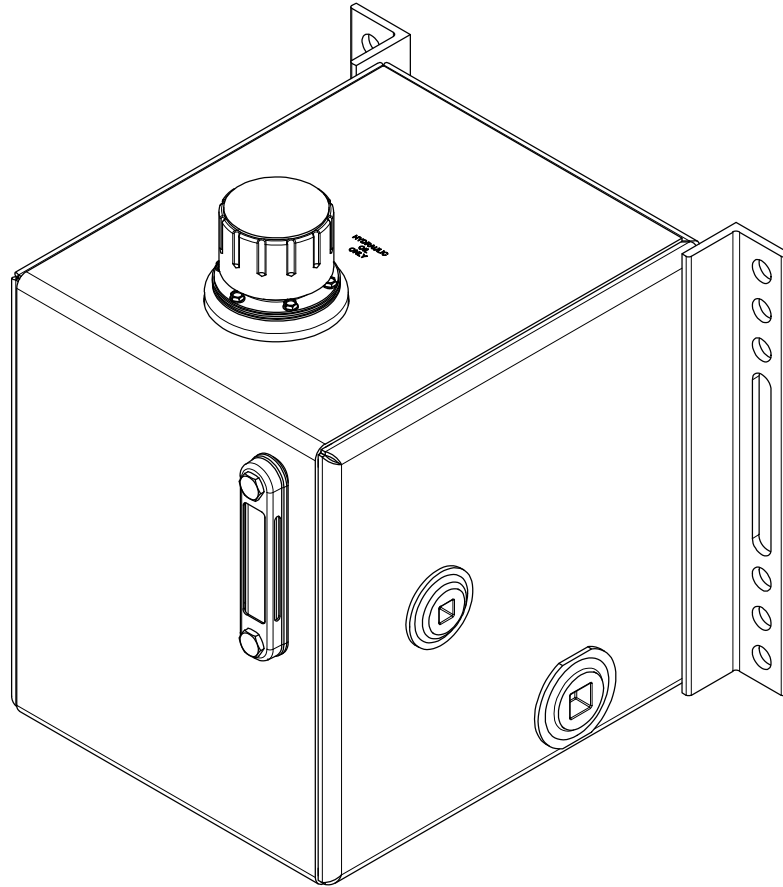
25751

# HYDRAULIC RESERVOIR TANKS



VENCO VENTURO INDUSTRIES LLC  
CINCINNATI, OHIO





VENCO VENTURO INDUSTRIES LLC  
CINCINNATI, OHIO

ISOMETRIC VIEW

10 GALLON HYDRAULIC RESERVOIR TANK

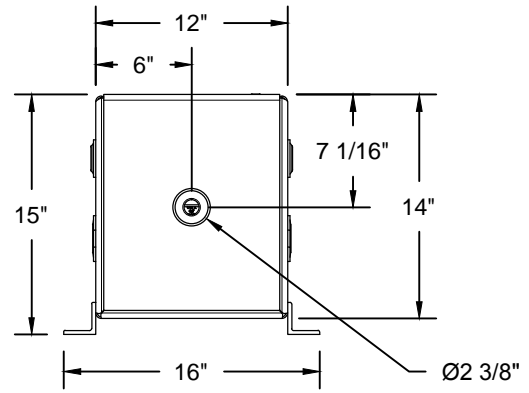
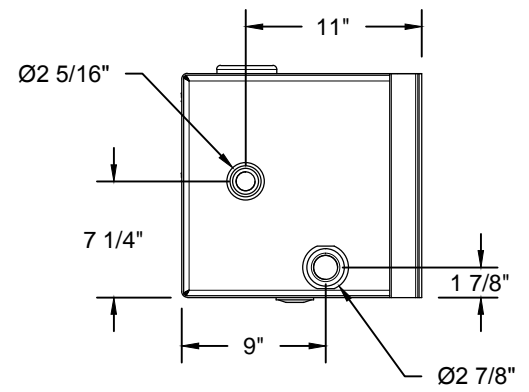
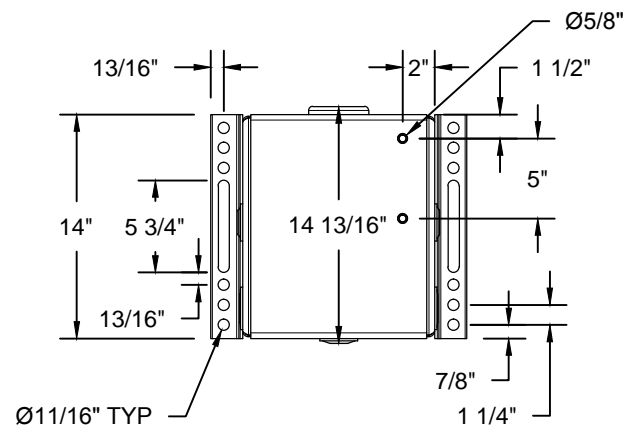
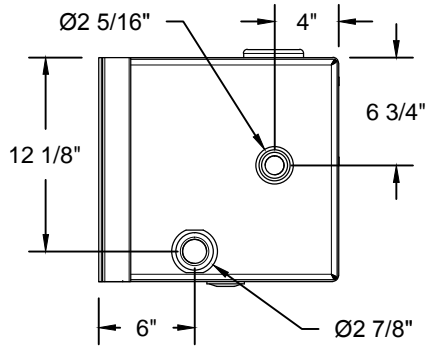
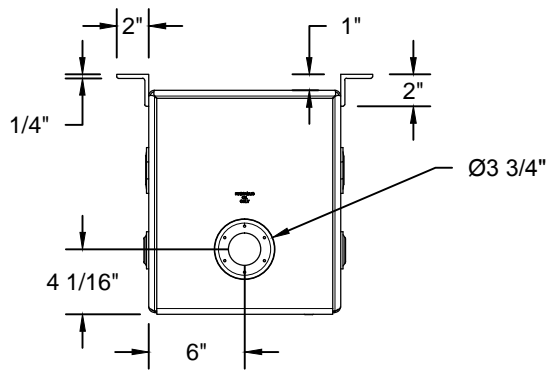
DATE  
04-24-17

SUPERSEDES  
-

PAGE

12

25752



OVERALL DIMENSIONS

10 GALLON HYDRAULIC RESERVOIR TANK



VENCO VENTURO INDUSTRIES LLC  
CINCINNATI, OHIO

DATE  
04-24-17

SUPERSEDES  
-

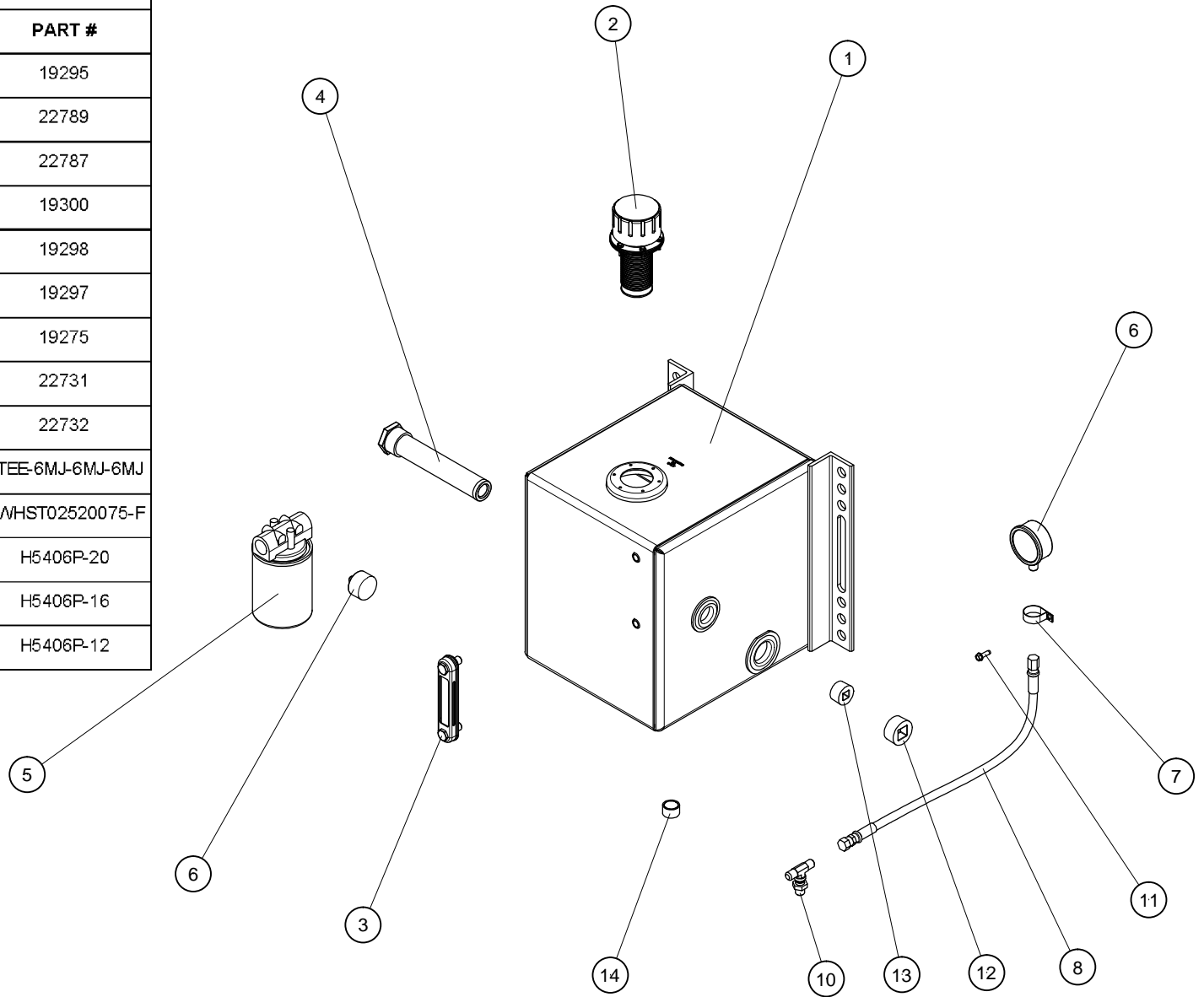
PAGE

13

25753

**19294 PARTS BREAKDOWN  
10 GALLON HYDRAULIC RESERVOIR KIT**

#	DESCRIPTION	QTY	PART #
1	RESERVOIR TANK; 10 GALLON	1	19295
2	TANK CAP, FILLER / BREATHER	1	22789
3	SIGHT GAUGE, OIL LEVEL	1	22787
4	SUCTION FILTER; SCREEN	1	19300
5	FILTER ASSY; RETURN	1	19298
6	PRESSURE GAUGE; RETURN	1	19297
7	CLAMP RING; 1-3/16", Ø11/32"	1	19275
8	HOSE ASSY; PRESSURE	1	22731
9	PRESSURE GAUGE; PRESSURE	1	22732
10	FITTING; BULKHEAD, T-SHAPE	1	HTEE-6MJ-6MJ-6MJ
11	HWHST; 1/4-20 X 3/4", SELF-TAP	1	HWHST02520075-F
12	PIPE PLUG; 1-1/4" NPT	1	H5406P-20
13	PIPE PLUG; 1" NPT	1	H5406P-16
14	PIPE PLUG; 3/4" NPT	1	H5406P-12



VENCO VENTURO INDUSTRIES LLC  
CINCINNATI, OHIO

**PARTS BREAKDOWN**

**10 GALLON HYDRAULIC RESERVOIR TANK**

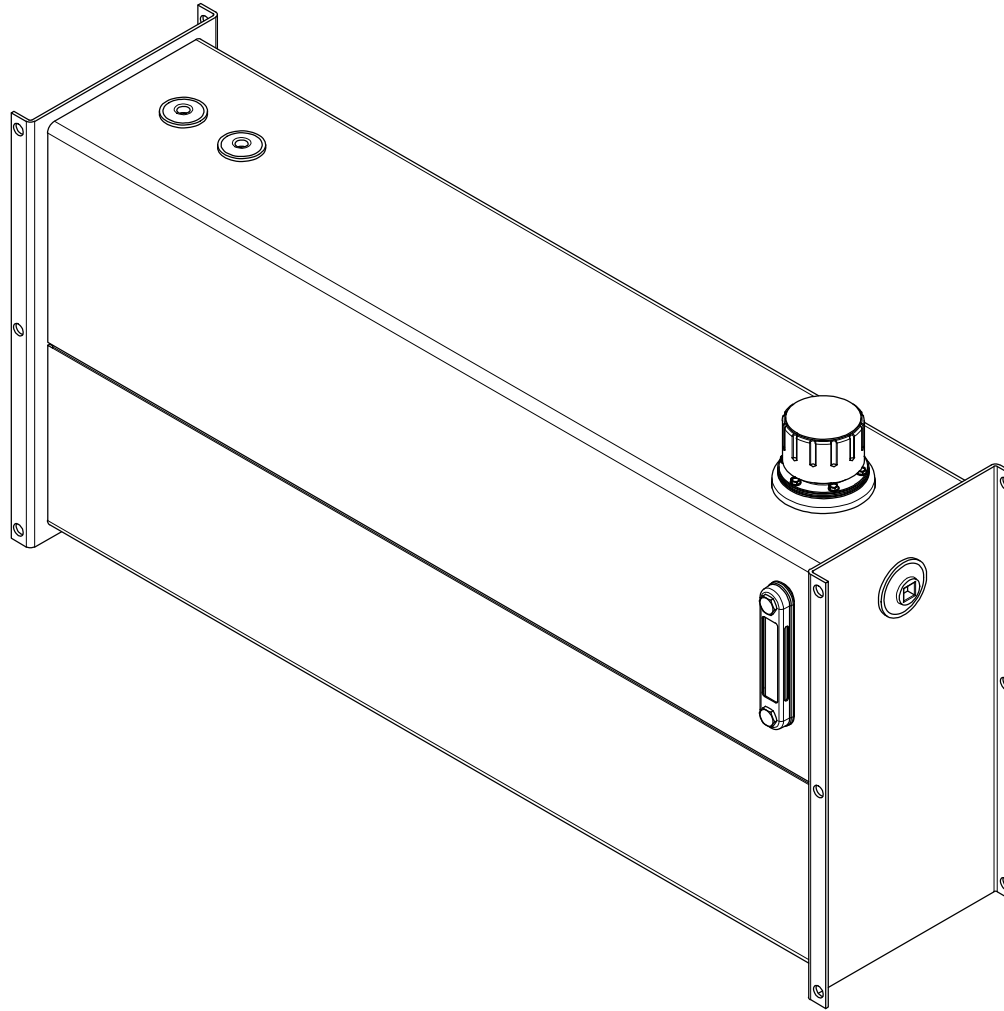
DATE  
04-24-17

SUPERSEDES  
-

PAGE

14

25754



VENCO VENTURO INDUSTRIES LLC  
CINCINNATI, OHIO

ISOMETRIC VIEW

25 GALLON HYDRAULIC RESERVOIR TANK

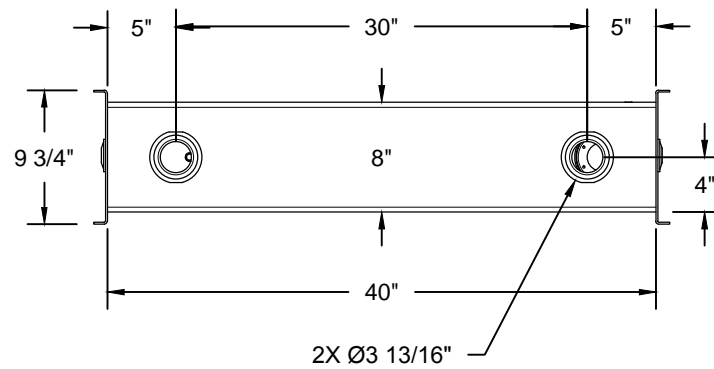
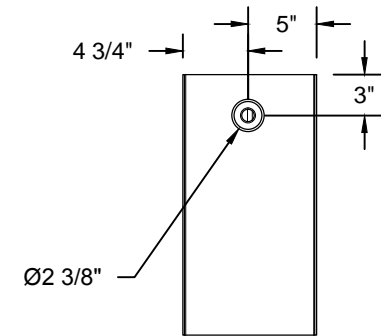
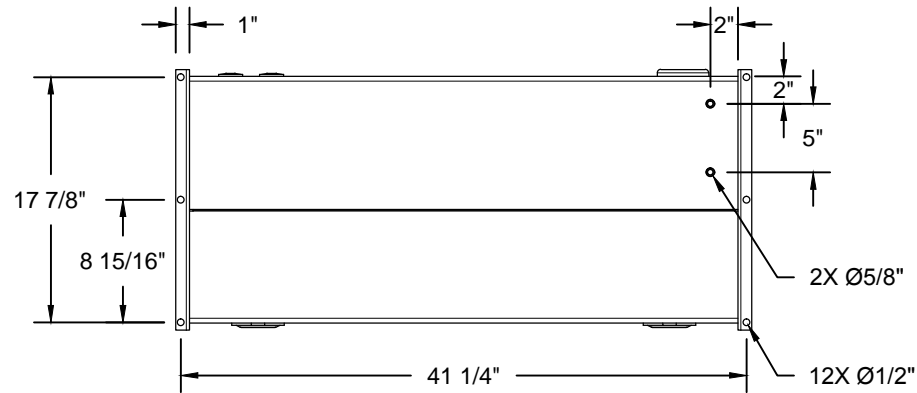
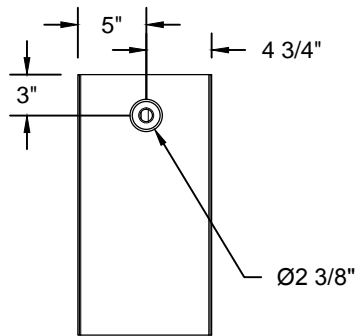
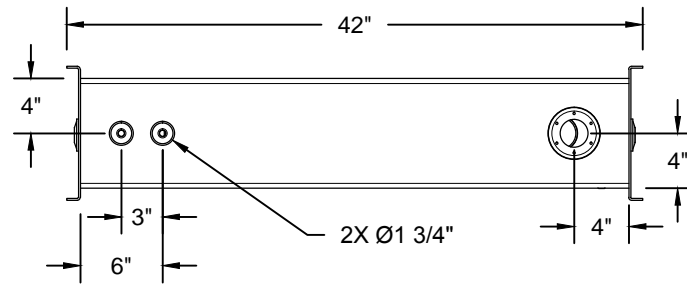
DATE  
04-24-17

SUPERSEDES  
-

PAGE

15

25755



VENCO VENTURO INDUSTRIES LLC  
CINCINNATI, OHIO

OVERALL DIMENSIONS

25 GALLON HYDRAULIC RESERVOIR TANK

DATE  
04-24-17

SUPERSEDES  
-

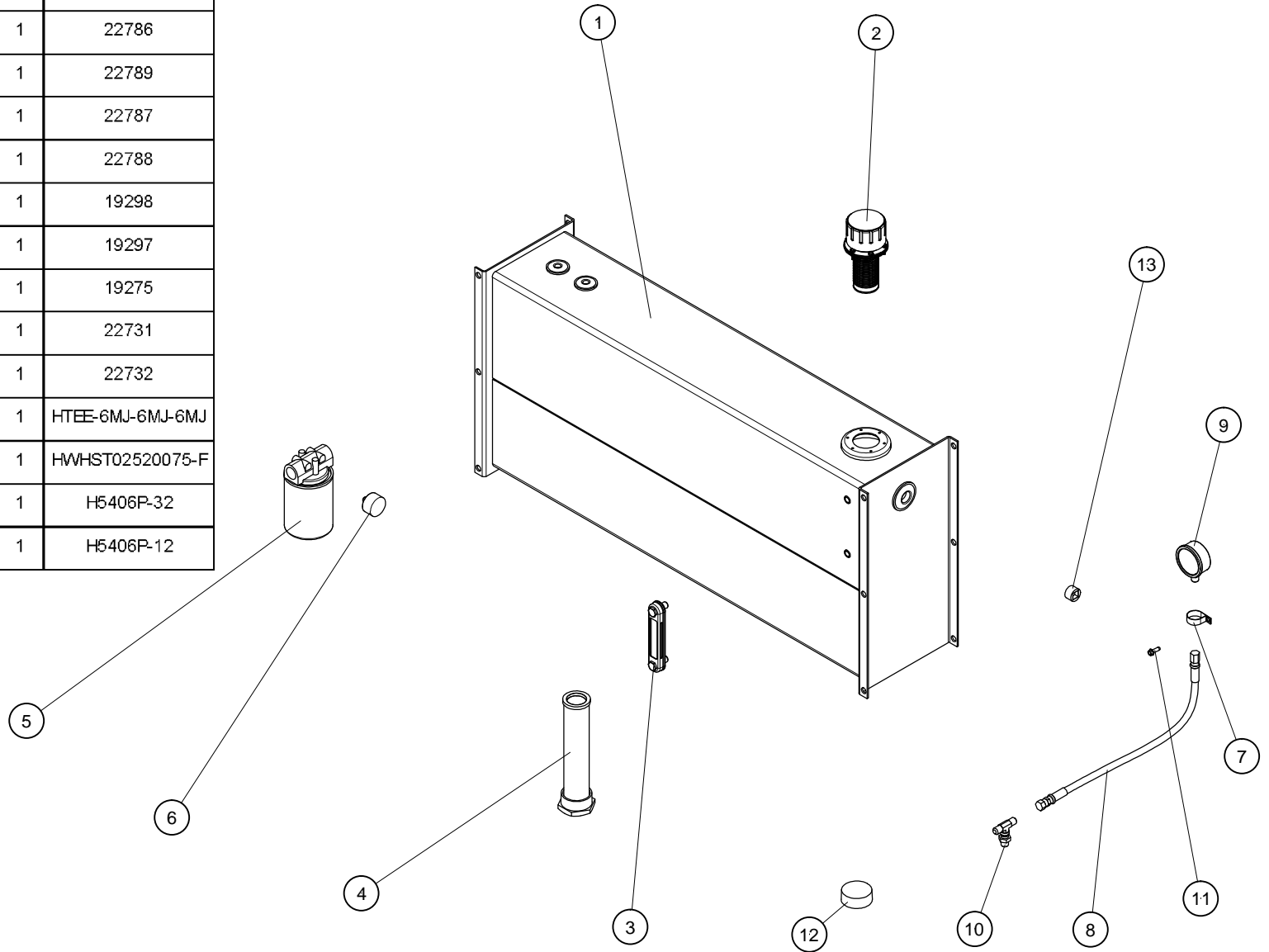
PAGE

16

25756

**22785 PARTS BREAKDOWN  
25 GALLON HYDRAULIC RESERVOIR KIT**

#	DESCRIPTION	QTY	PART #
1	RESERVOIR TANK; 25 GALLON	1	22786
2	TANK CAP, FILLER / BREATHER	1	22789
3	SIGHT GAUGE, OIL LEVEL	1	22787
4	SUCTION FILTER; SCREEN	1	22788
5	FILTER ASSY; RETURN	1	19298
6	PRESSURE GAUGE; RETURN	1	19297
7	CLAMP RING; 1-3/16", Ø11/32"	1	19275
8	HOSE ASSY; PRESSURE	1	22731
9	PRESSURE GAUGE; PRESSURE	1	22732
10	FITTING; BULKHEAD, T-SHAPE	1	HTEE-6MJ-6MJ-6MJ
11	HWHST; 1/4-20 X 3/4", SELF-TAP	1	HWHST02520075-F
12	PIPE PLUG; 2" NPT	1	H5406P-32
13	PIPE PLUG; 3/4" NPT	1	H5406P-12



VENCO VENTURO INDUSTRIES LLC  
CINCINNATI, OHIO

**PARTS BREAKDOWN**

**25 GALLON HYDRAULIC RESERVOIR TANK**

DATE  
04-24-17

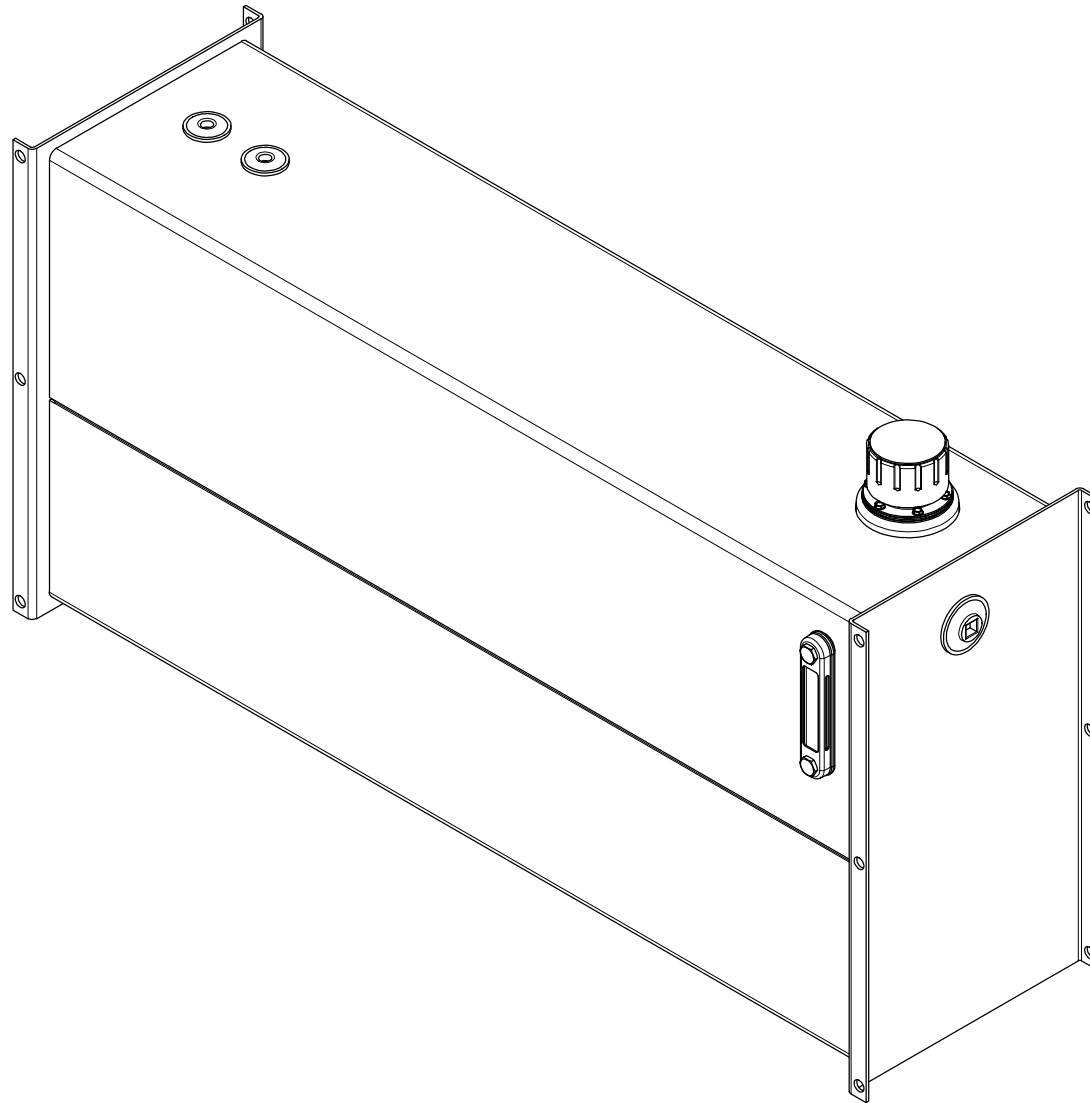
SUPERSEDES  
-

PAGE

17

**25757**





VENCO VENTURO INDUSTRIES LLC  
CINCINNATI, OHIO

ISOMETRIC VIEW

40 GALLON HYDRAULIC RESERVOIR TANK

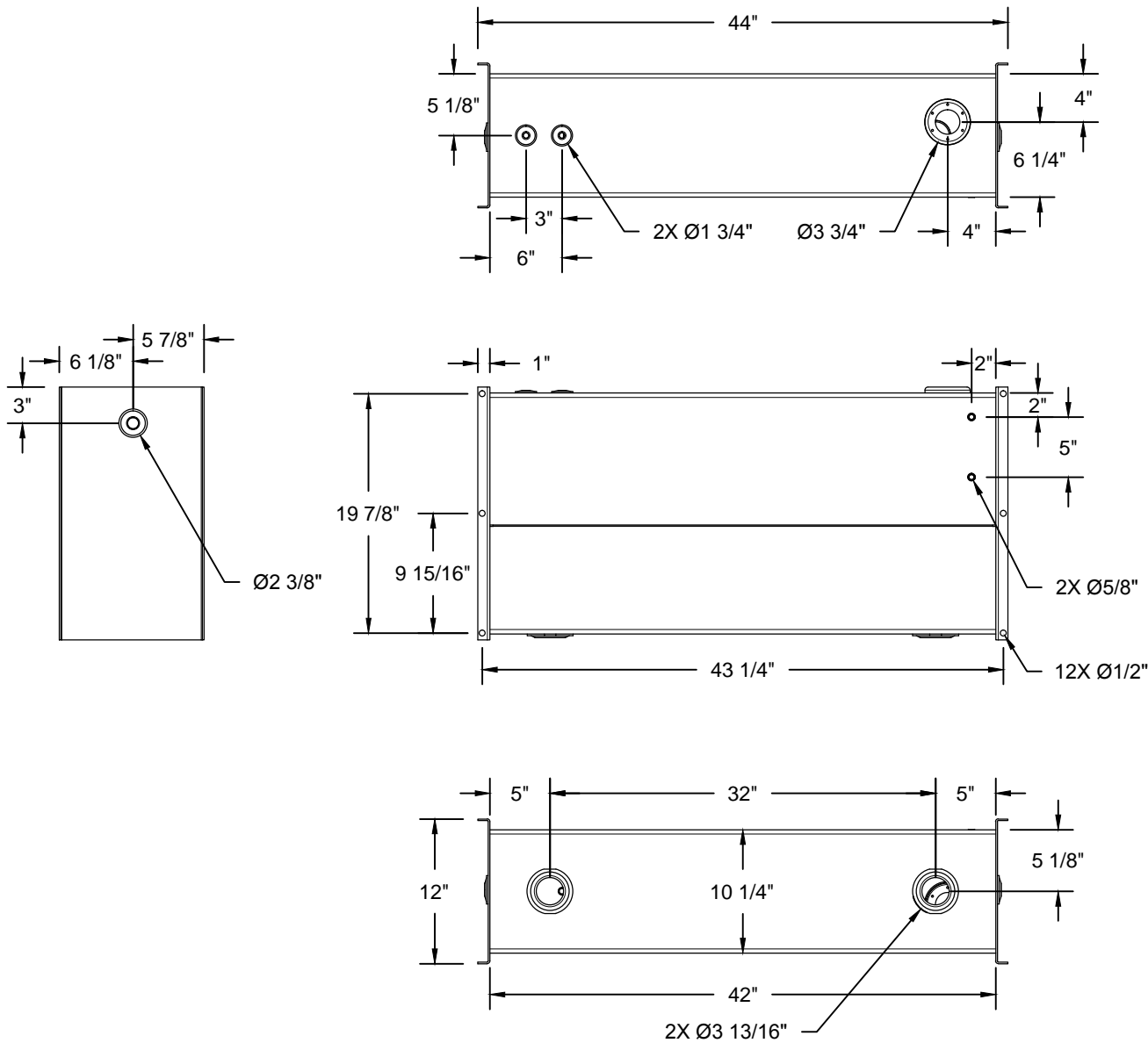
DATE  
04-24-17

SUPERSEDES  
-

PAGE

18

25758



VENCO VENTURO INDUSTRIES LLC  
CINCINNATI, OHIO

### OVERALL DIMENSIONS

40 GALLON HYDRAULIC RESERVOIR TANK

DATE  
04-24-17

SUPERSEDES  
-

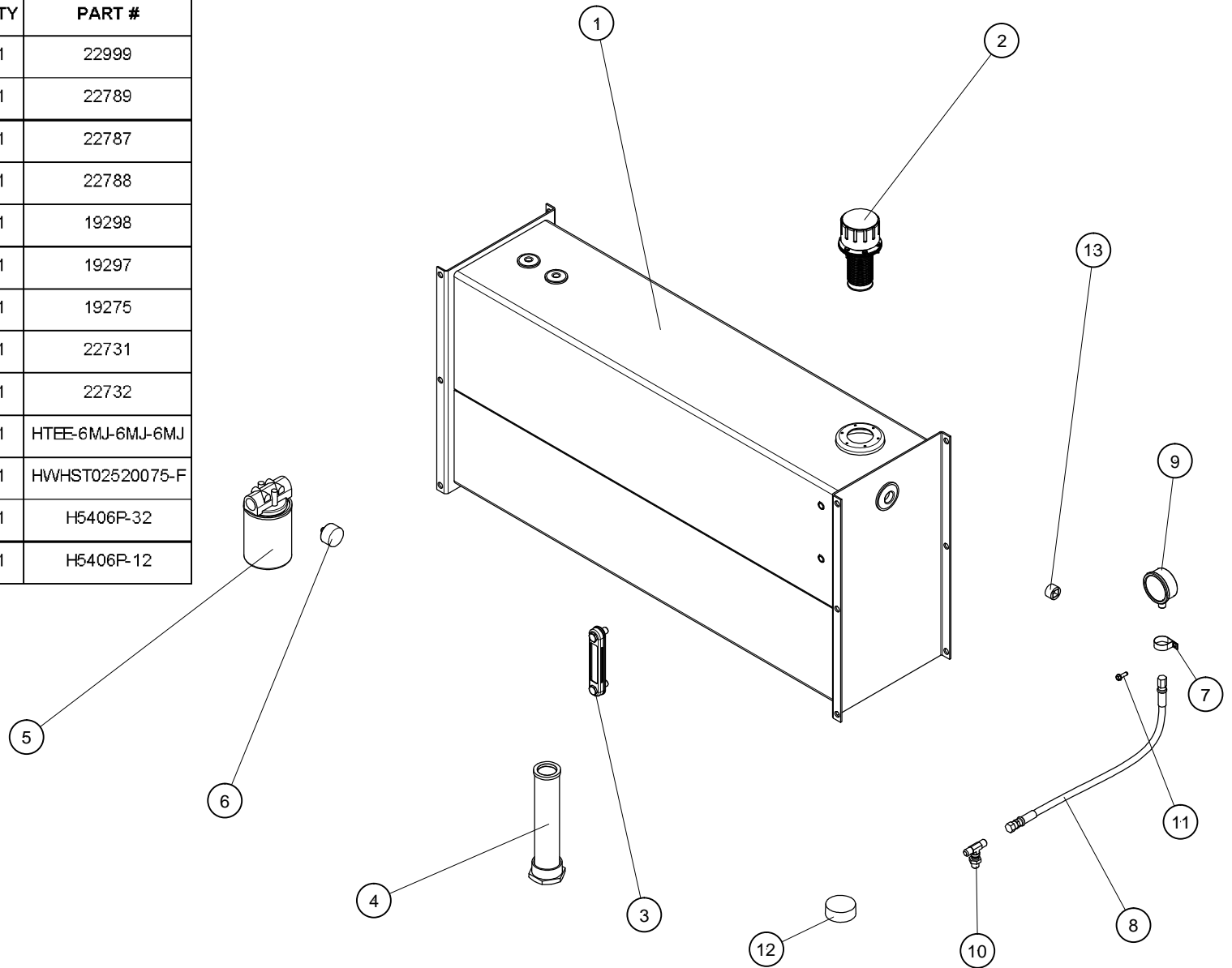
PAGE

19

25759

**22998 PARTS BREAKDOWN  
40 GALLON HYDRAULIC RESERVOIR KIT**

#	DESCRIPTION	QTY	PART #
1	RESERVOIR TANK, 40 GALLON	1	22999
2	TANK CAP, FILLER / BREATHER	1	22789
3	SIGHT GAUGE, OIL LEVEL	1	22787
4	SUCTION FILTER, SCREEN	1	22788
5	FILTER ASSY; RETURN	1	19298
6	PRESSURE GAUGE; RETURN	1	19297
7	CLAMP RING; 1-3/16", Ø11/32"	1	19275
8	HOSE ASSY; PRESSURE	1	22731
9	PRESSURE GAUGE; PRESSURE	1	22732
10	FITTING; BULKHEAD, T-SHAPE	1	HTEE-6MJ-6MJ-6MJ
11	HWHST; 1/4-20 X 3/4", SELF-TAP	1	HWHST02520075-F
12	PIPE PLUG; 2" NPT	1	H5406P-32
13	PIPE PLUG; 3/4" NPT	1	H5406P-12



VENCO VENTURO INDUSTRIES LLC  
CINCINNATI, OHIO

**PARTS BREAKDOWN**

**40 GALLON HYDRAULIC RESERVOIR TANK**

DATE  
04-24-17

SUPERSEDES  
-

PAGE

20

**25760**

BLANK PAGE









## VENTURO CRANES LIMITED WARRANTY POLICY

Venturo products are built to last...we guarantee them.

As a purchaser of any new Venturo product covered by warranty, you will receive 1 year of the most complete coverage available...and, at no added cost to you.

### 1-Year Limited Warranty Policy

This limited policy warrants new products of Venturo to be free from defects in material and workmanship for a period of one (1) year from date of original installation. OEM products or accessories purchased by Venturo as part of or offered with our product will carry the OEM manufacturer's respective warranty. Our warranty covers:

- ***Repair or replacement of product***
- ***Labor to repair or replace product***
- ***Freight to return and/or replace product***

We shall not be liable for any contingent liabilities arising out of the improper function of any products. Warranty shall become void if the product is improperly installed, modified, damaged, abused or used for application other than intended use. There is no warranty of merchantability, fitness for a particular purpose, warranty arising from course of dealing or usage of trade, or any other implied or expressed warranty, except as made specifically herein. This warranty supersedes all previous warranties, written or implied.

### Warranty Claims

Venco Venturo Industries LLC will make a good faith effort for prompt correction or other adjustment with respect to any product, which proves to be defective after our inspection and within the warranty period. Before any repairs are attempted or before returning any product, your Venturo Distributor is required to obtain a warranty claim number. This number is necessary for any claim to be considered. To obtain a warranty claim number, Venturo requires the model and serial number. Only authorized Venturo Distributors can perform warranty. For the name and address of your local Venturo Distributor call the **Warranty Claim Department - 513-772-8448**.

**WARNING** - It is the responsibility of the installer to ensure the installation is completed according to the manufacturer's recommendations, ensure the ultimate user understands how to operate product in a safe manner, and understands the need for regular service and maintenance by an authorized Venturo Distributor. No modifications or alterations may be made to any Venturo product without the expressed written consent of Venco Venturo Industries LLC. Installation of any Venturo product must be done by an authorized Venturo Distributor, to the standards of the industry; including maintenance, service and affixing of all instruction, safety and warning decals. Users should be instructed as to the safe operation at time of delivery. Maintenance, service, operation and safety warning decals are available on request from Venco Venturo Industries LLC.

**VENCO VENTURO INDUSTRIES LLC**  
12110 BEST PLACE | CINCINNATI, OHIO 45241  
P: 800-226-2238 | F: 513-326-5427  
[www.venturo.com](http://www.venturo.com)